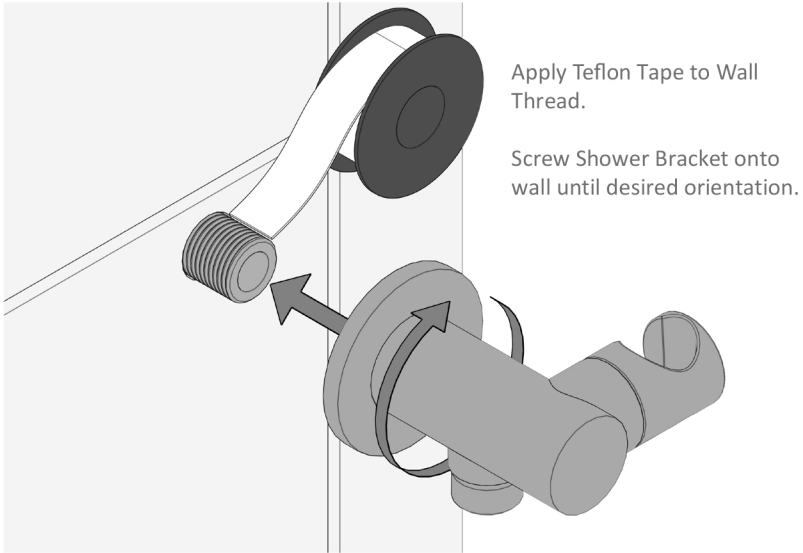
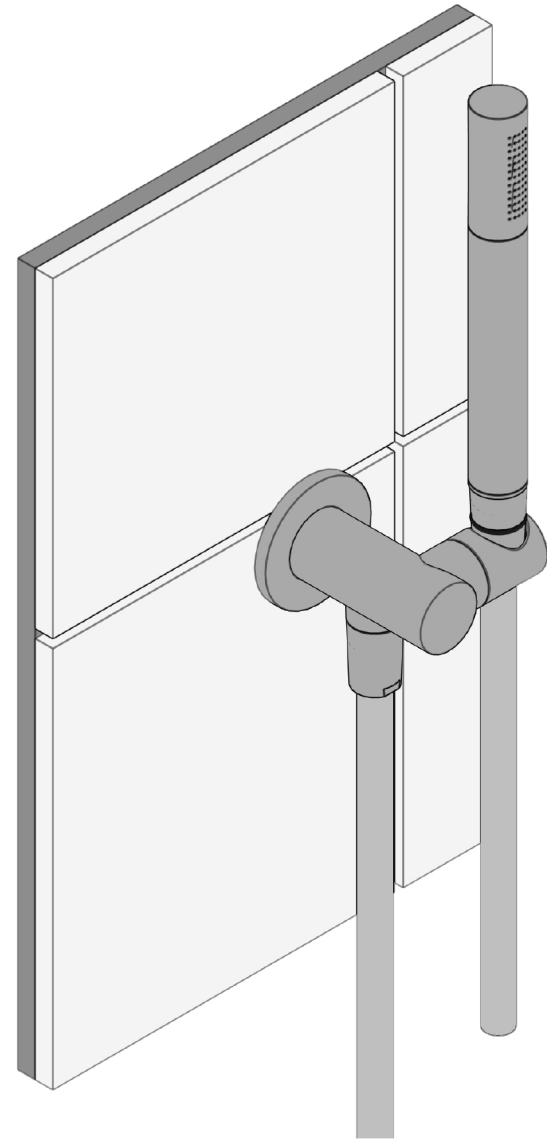


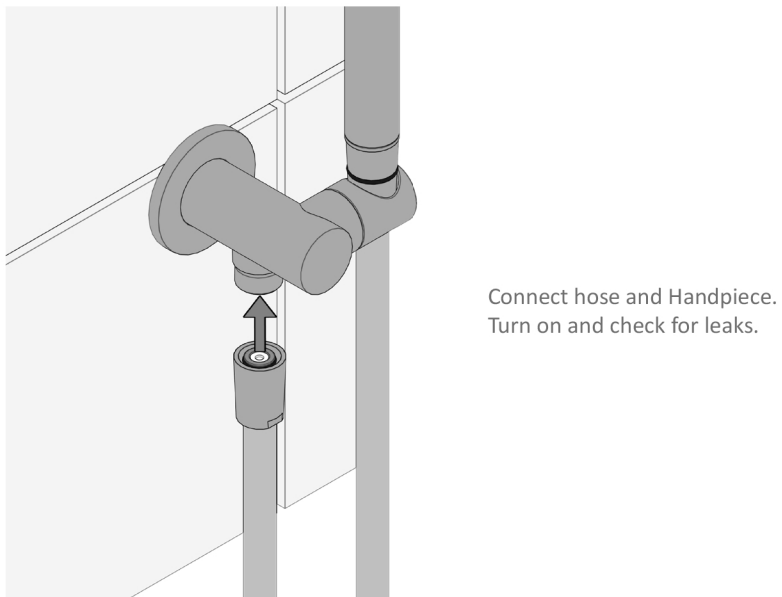
1



3



2



recommended working pressure

**150-500KPa**

maximum hot water temperature

**75 degrees**

