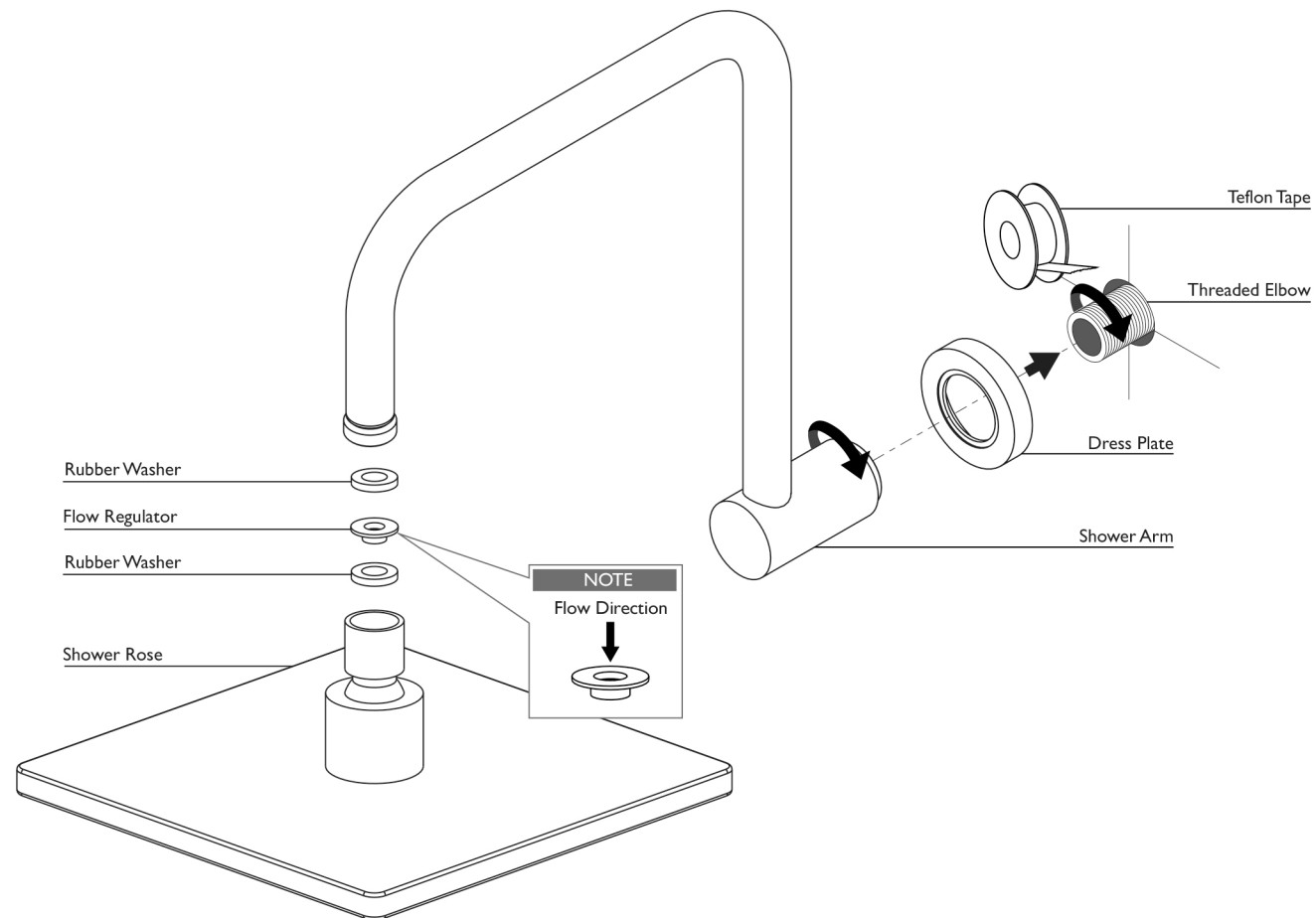


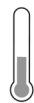
1

- Apply Teflon Tape to Threaded Elbow.
- Fit Dress Plate over the Threaded Elbow.
- Firmly screw on the Shower Arm.
- Place the Flow Regulator between the two Rubber Washers, as shown.
- Firmly screw on the Shower Rose.



recommended working pressure

**150-500 KPa**



maximum hot water temperature

**75 degrees**