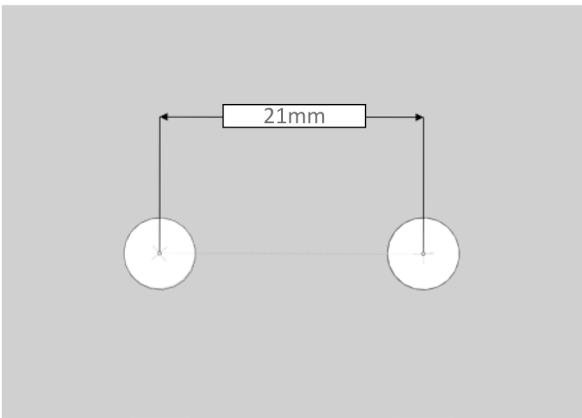
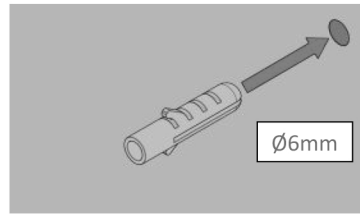


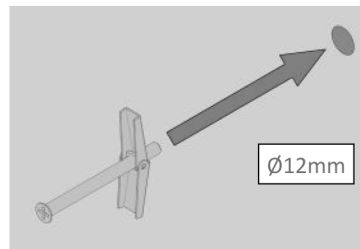
## MEASUREMENTS



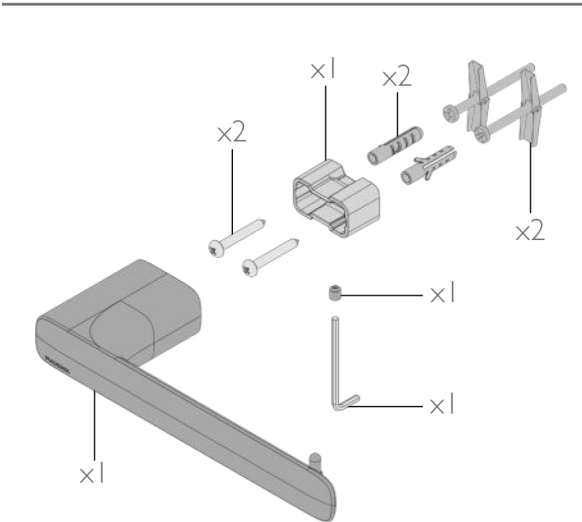
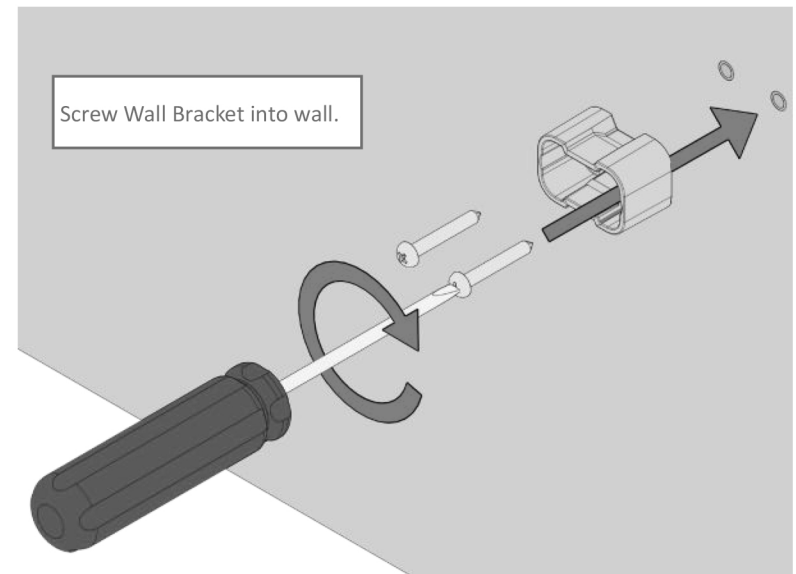
Brick



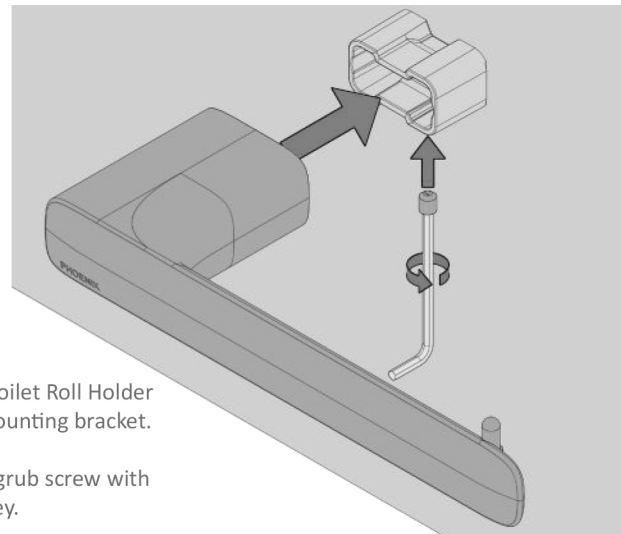
Plaster



1



2



3

