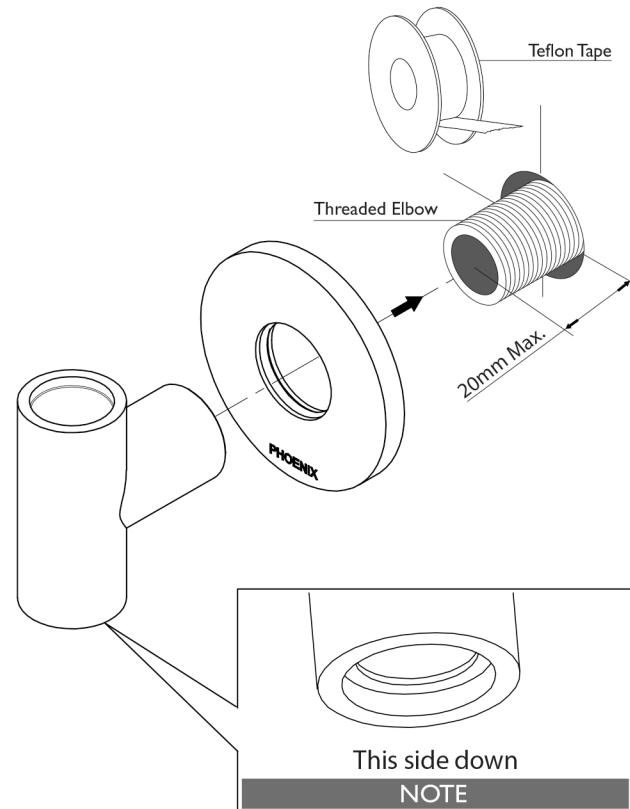


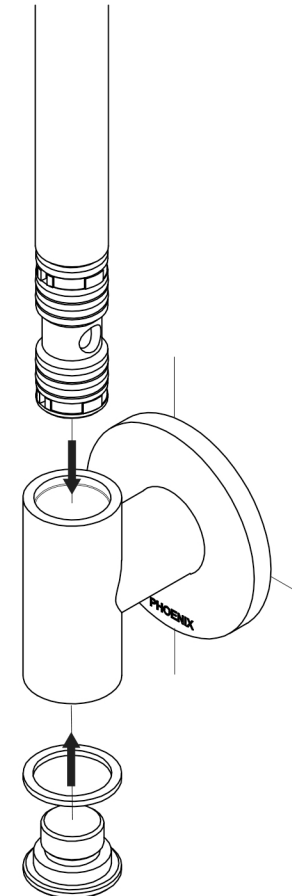

**1**

- Apply Teflon Tape to Threaded Elbow.
- Push the Dress Plate onto the Swivel Flange.
- Firmly screw the Swivel Flange onto Threaded Elbow.

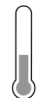


**2**

- Push the Spout into the Swivel Flange.
- Fit the Plastic Bearing onto the Spout Screw.
- Hold the Spout steadily and tighten the Spout Screw firmly with the provided 4mm Allen Key.

recommended working pressure  
**150-500 KPa**



maximum hot water temperature  
**75 degrees**