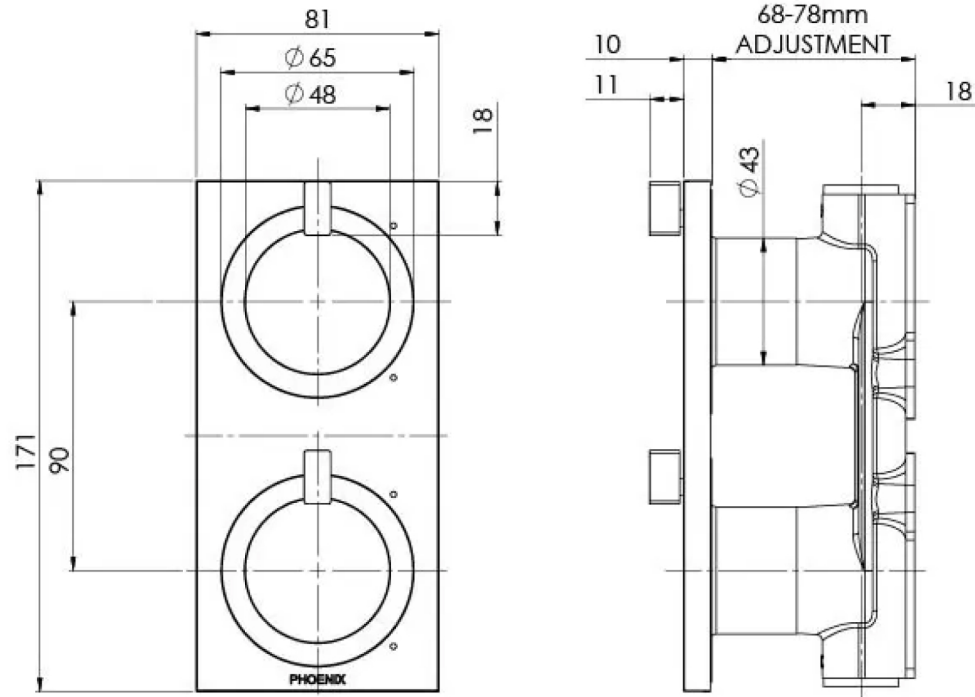


SPECIFICATIONS



AVAILABLE IN



100-7920-00
Chrome



100-7920-44
Matte Brushed Nickel

INFORMATION

Temperature Rating
1 - 55°C

Pressure Rating
150 - 500kPa

MAINTENANCE AND CARE:

- All surfaces should be cleaned with mild liquid detergent or soap and water.
- Do not use cream cleaners or citrus based cleaning products, as they are abrasive.
- Use of unsuitable cleaning agents may damage the surface.
- Any damage caused in this way will not be covered by warranty.