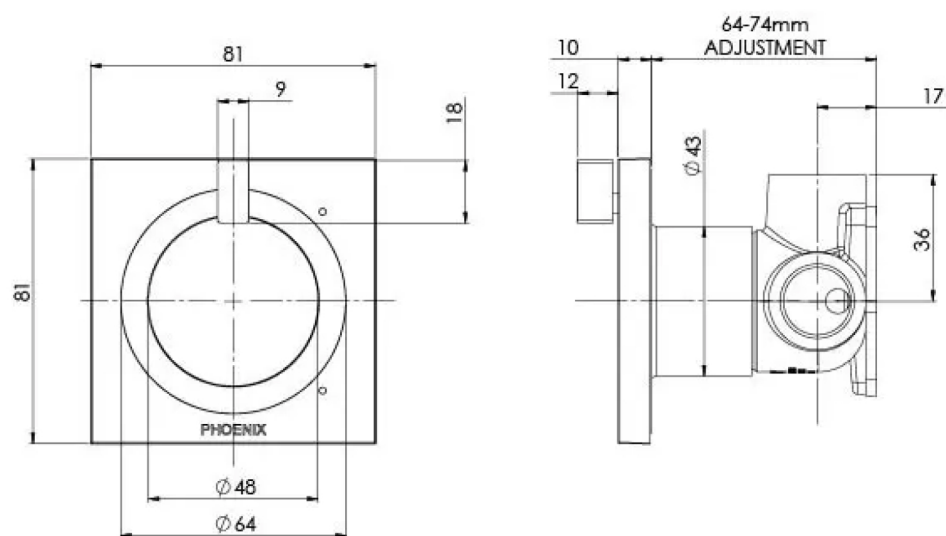


## SPECIFICATIONS



### AVAILABLE IN



100-7800-00  
Chrome



100-7800-44  
Matte Brushed Nickel

### INFORMATION

Temperature Rating  
1 - 55°C

Pressure Rating  
150 - 500kPa

### MAINTENANCE AND CARE:

- All surfaces should be cleaned with mild liquid detergent or soap and water.
- Do not use cream cleaners or citrus based cleaning products, as they are abrasive.
- Use of unsuitable cleaning agents may damage the surface.
- Any damage caused in this way will not be covered by warranty.