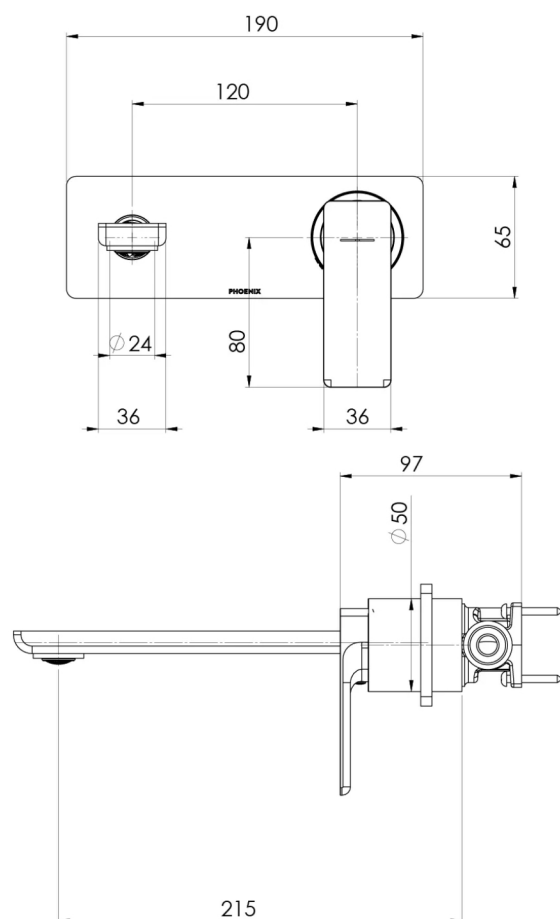
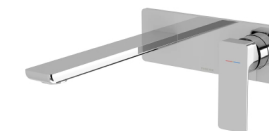


SPECIFICATIONS



AVAILABLE IN



135-2810-00
Chrome



65-135-2810-40
Brushed Nickel



135-2812-31
Brushed Carbon



65-135-2810-10
Matte Black



65-135-2810-12
Brushed Gold

INFORMATION

Temperature Rating
1 - 75°C

Pressure Rating
150 - 500kPa

MAINTENANCE AND CARE:

- All surfaces should be cleaned with mild liquid detergent or soap and water.
- Do not use cream cleaners or citrus based cleaning products, as they are abrasive.
- Use of unsuitable cleaning agents may damage the surface.
- Any damage caused in this way will not be covered by warranty.