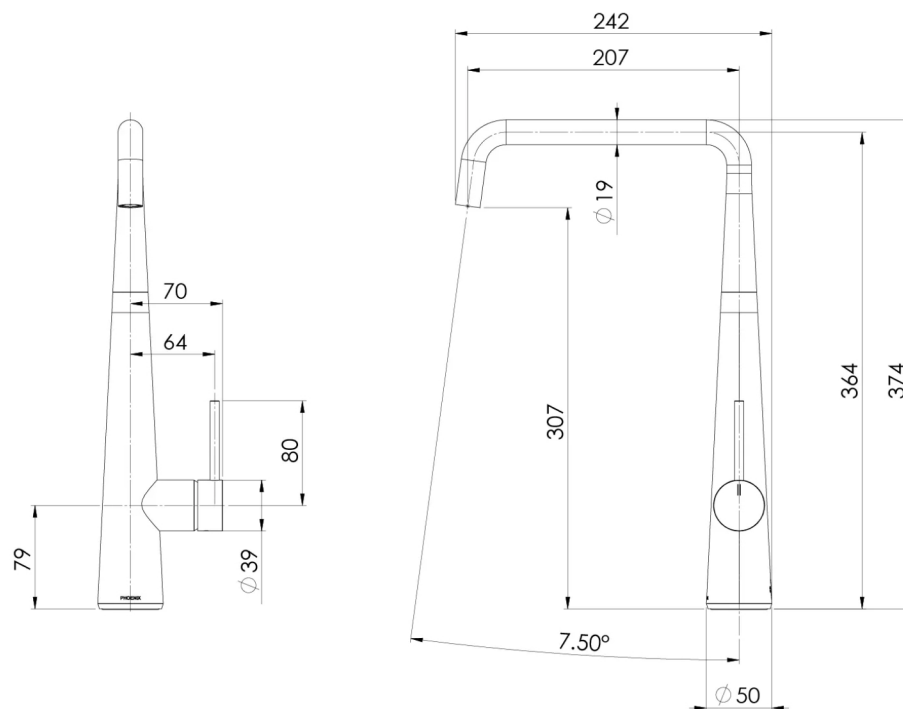


## SPECIFICATIONS



### AVAILABLE IN



132-7340-00  
Chrome



132-7340-40  
Brushed Nickel



132-7340-31  
Brushed Carbon



132-7340-10  
Matte Black



132-7340-12  
Brushed Gold

### INFORMATION

Temperature Rating  
1 - 75°C

Pressure Rating  
150 - 500kPa

### MAINTENANCE AND CARE:

- All surfaces should be cleaned with mild liquid detergent or soap and water.
- Do not use cream cleaners or citrus based cleaning products, as they are abrasive.
- Use of unsuitable cleaning agents may damage the surface.
- Any damage caused in this way will not be covered by warranty.