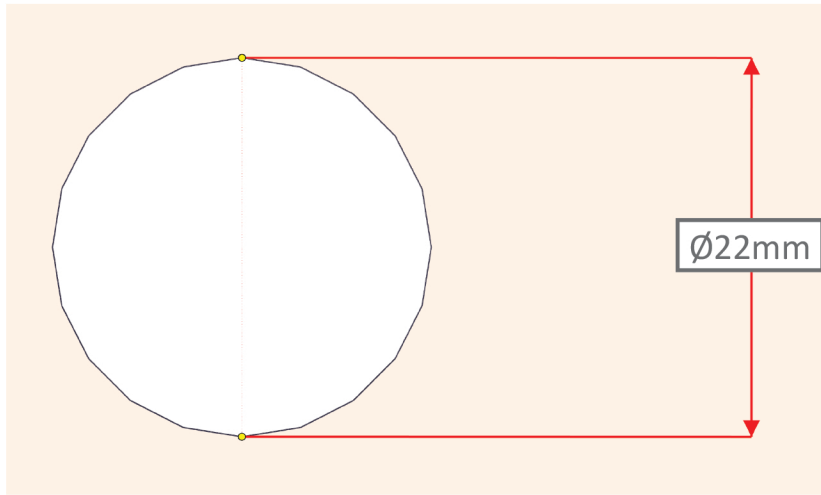
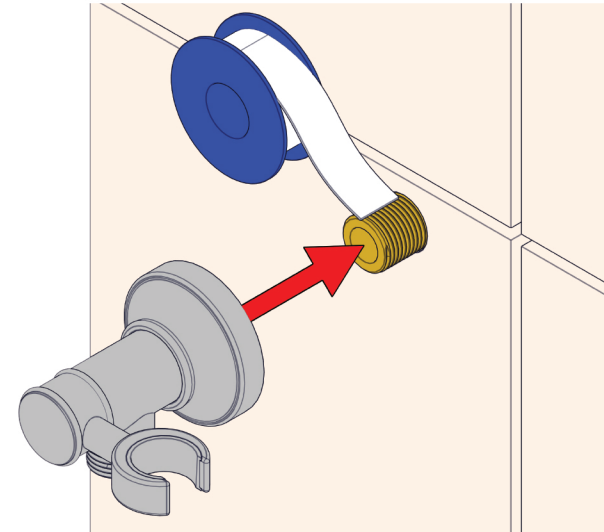


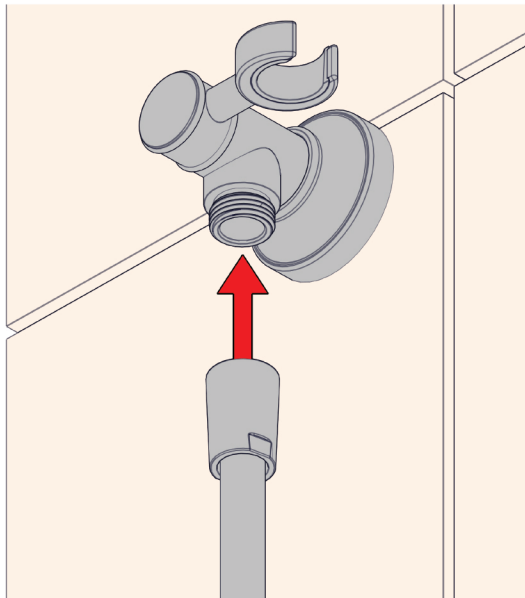
MEASUREMENTS



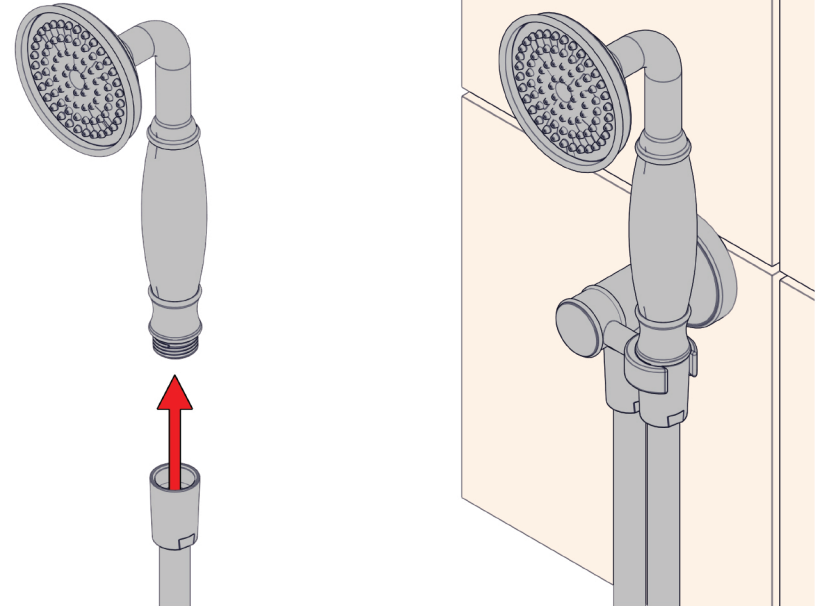
1



2



3



recommended
working pressure
**150-
500KPa**
maximum hot
water temperature
**75
degrees**