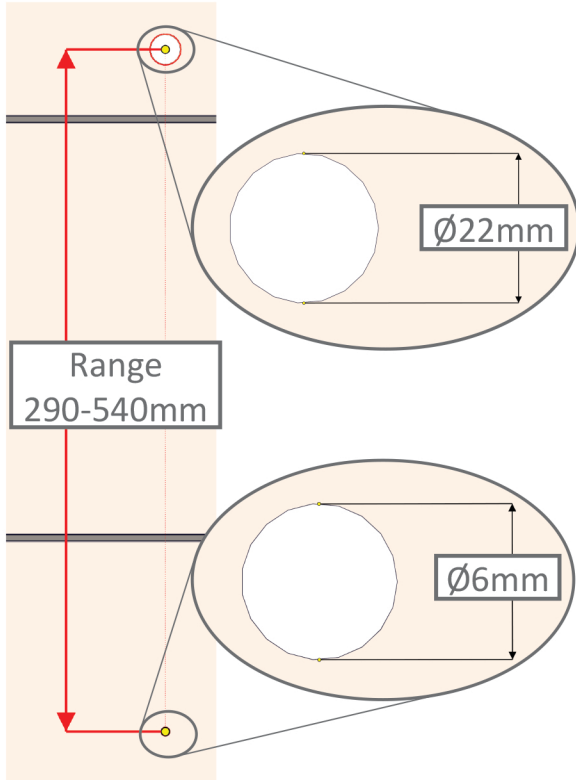


MEASUREMENTS

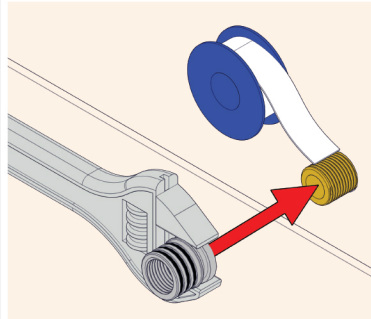


Mark two points 290mm-540mm apart vertically.

Drill a $\text{Ø}22\text{mm}$ hole at the top point for the wall thread, and a $\text{Ø}6\text{mm}$ hole at the bottom point for the mounting bracket.

Always use physical product for accurate measurements.

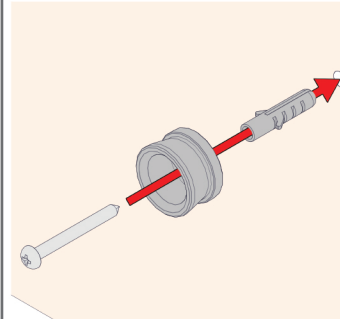
1



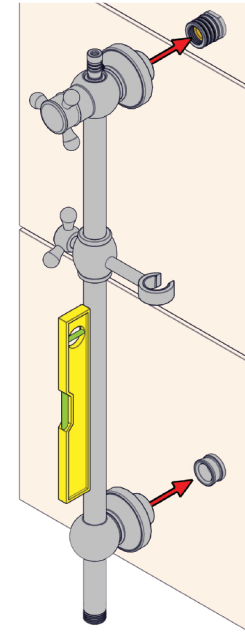
Apply Teflon Tape to the Wall Thread and attach the Shower Adaptor.

Use a spanner to fasten.

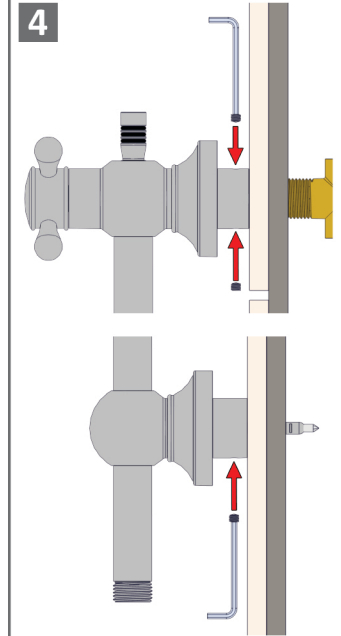
2



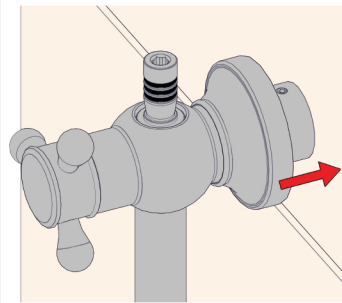
3



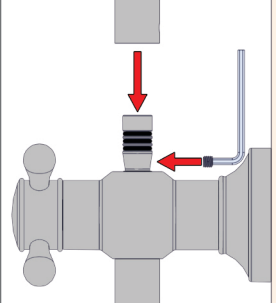
4



5

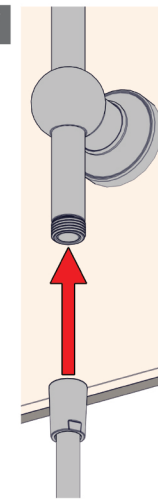


6

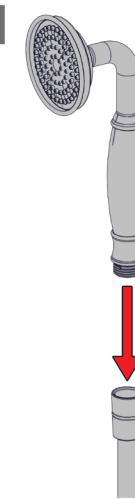


Place the Shower Arm onto the Adaptor and tighten grub screw.

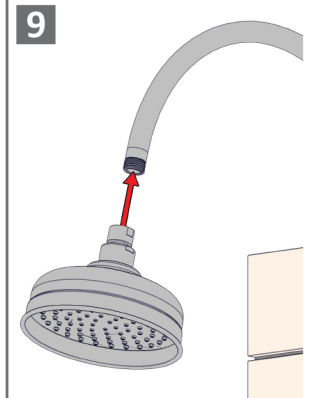
7



8



9



Turn on and check for leaks.



recommended working pressure

150-500KPa

maximum hot water temperature

75 degrees

