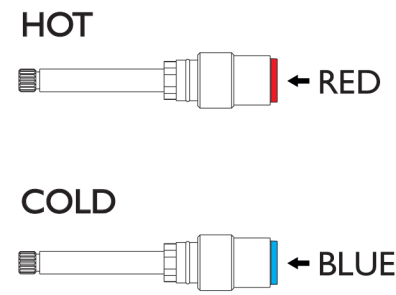


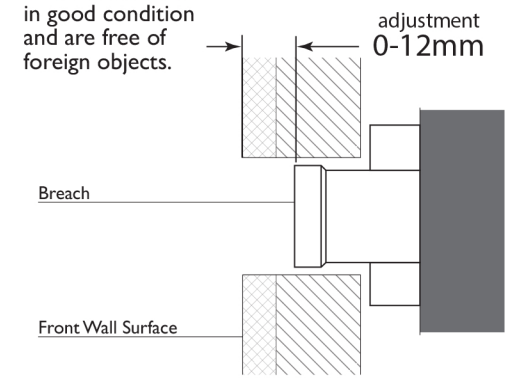
NOTE

Check the rubber seal under each spindle:



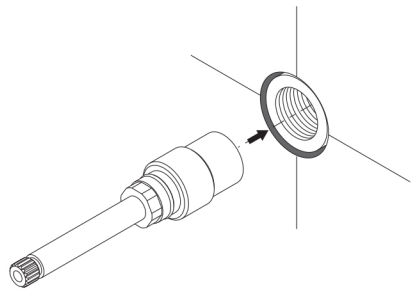
BREACH SET-UP

Ensure that seats in the Breach are in good condition and are free of foreign objects.



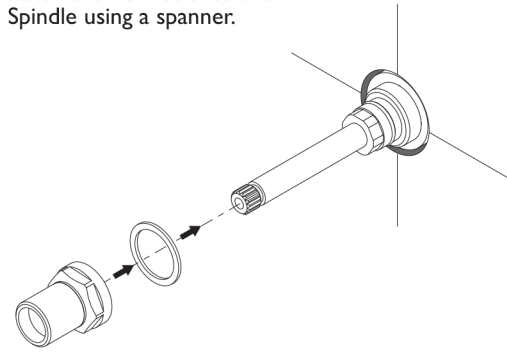
1

Firmly screw Spindle into the Breach.
DO NOT OVERTIGHTEN



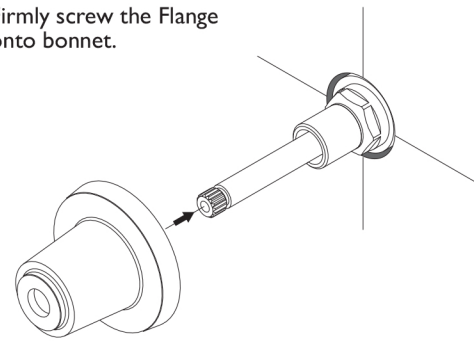
2

Fit Fibre Washer around the Spindle and then firmly fasten the Bonnet onto the Spindle using a spanner.



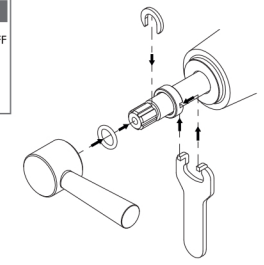
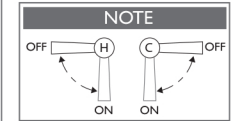
3

Firmly screw the Flange onto bonnet.



4

- Ensure that both Taps are in the closed position.
- Fit the Handle Screw over the Spindle.
- Fit the C-Clip into the groove in the Spindle.
- Fit the O-Ring then the Handle onto the Spindle.
- Fasten the Handle Screw using the Spanner provided.



recommended working pressure
150-500 KPa
maximum hot water temperature
75 degrees