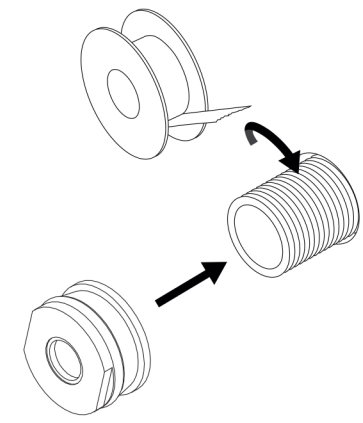


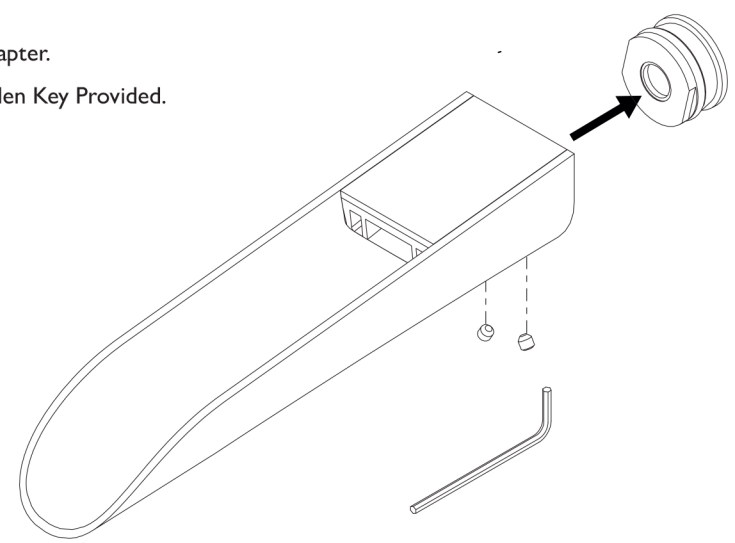
1


Apply Teflon Tape to Threaded Elbow.
Screw Spout Adapter onto Threaded Elbow by hand and tighten firmly using a spanner.

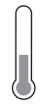


2

Push Wall Outlet onto Spout Adapter.
Fasten Grub Screws using the Allen Key Provided.



 recommended working pressure
150-500 KPa

 maximum hot water temperature
75 degrees