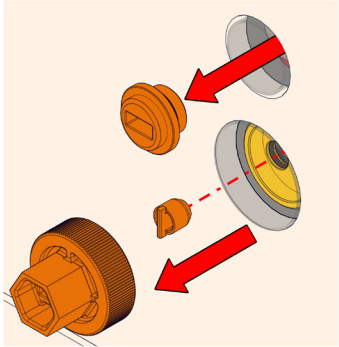


1



Remove Test Caps with a flat head screwdriver or spanner.

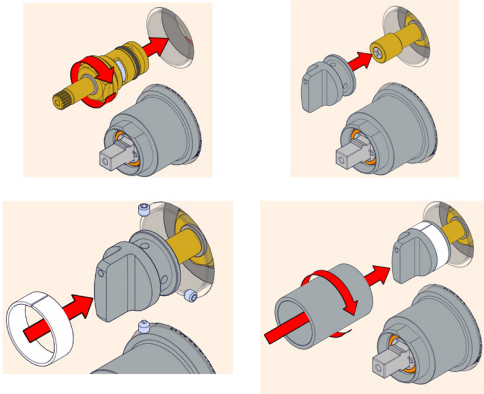
Ensure that no Test Plugs are in Body.

3

Fasten Diverter to in-wall body using a tube spanner. Install Diverter Button and fasten Grub Screws.

Fit Plastic Spacer into Position.

Hand Tighten Diverter Sleeve.

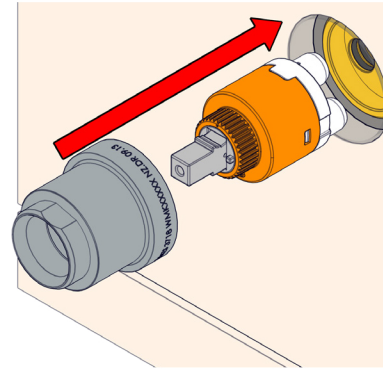


2

Add grease or soap to Cartridge Legs. Push Cartridge gently Into Body. Ensure correct orientation.

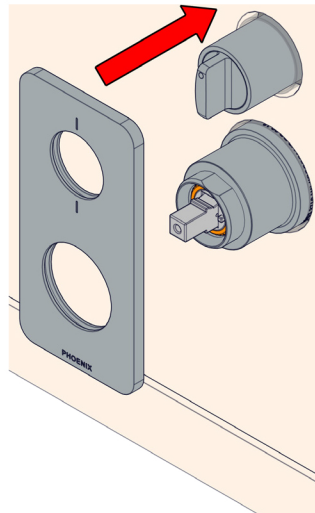
Cartridge only fits in one orientation.

Firmly fasten Cartridge Sleeve to Mixer Body using a shifting spanner.



4

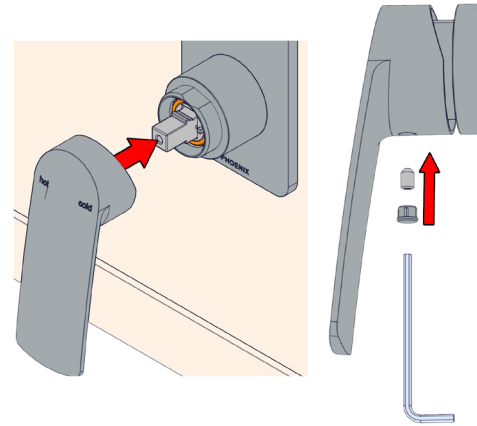
Gently push Dress Plate over assembly.



5

Attach Handle to Mixer Assembly. Fasten Grub Screw firmly with allen key supplied.

Insert Screw Cap and press firmly in place.



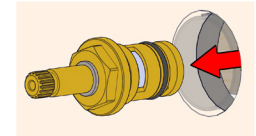
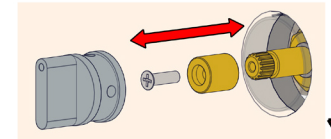
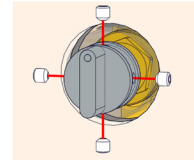
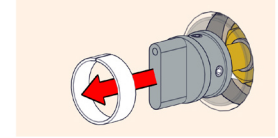
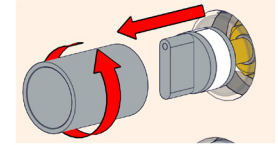
CARTRIDGE REPLACEMENT

Removing Diverter:

- Remove the Dress Plate
- Remove the diverter Sleeve
- Remove the plastic spacer
- Release grub screws
- Remove the diverter button
- Release the screw. Remove the adaptor
- Remove the diverter cartridge

Installing Diverter:

- Install the diverter shroud with a 27mm tube spanner.
- Push the dress plate back to position.
- Fasten grub screws and fit the plastic spacer to position.
- Fasten the screw to secure Spindle Adaptor on the spindle.
- Turn spindle Anti-Clockwise until it stops.
- Push on Diverter Button.
- Fasten New Diverter Cartridge with the tube spanner.



INSTALLING

REMOVING



recommended working pressure

150-500KPa

maximum hot water temperature

75 degrees