

BREECH SET-UP

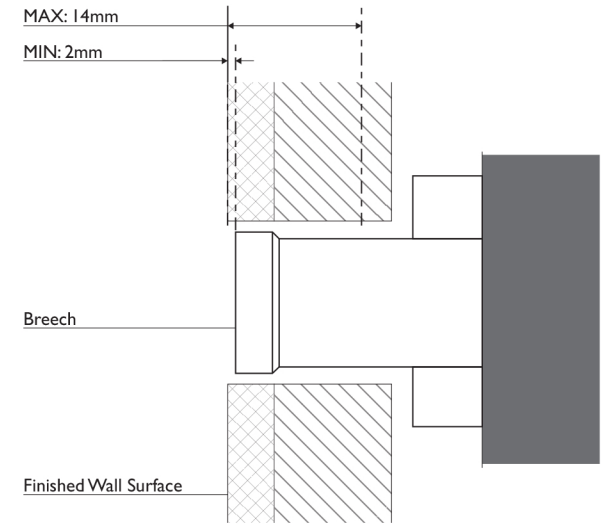
- Ensure that seats in the Breech are in good condition and are free of foreign objects.

- The recommended installation range for the breech are as shown:

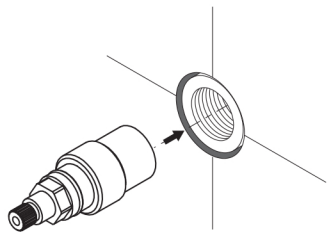
MAX: 14mm inwards from the Finished Wall Surface

MIN: 2mm inwards from the Finished Wall Surface

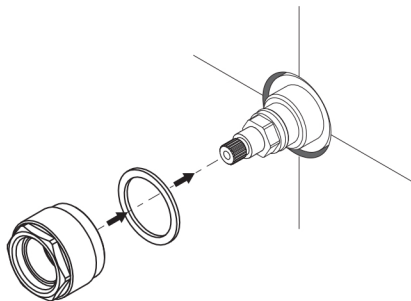
- Reseat if required.



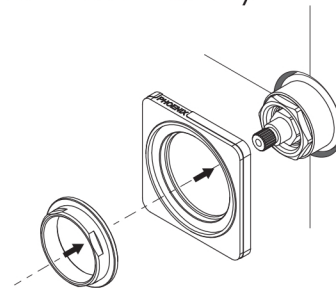
1 Firmly screw Spindle into the Breech.
DO NOT OVERTIGHTEN



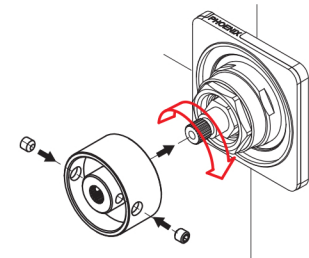
2 Fit Fibre Washer around the Spindle and then firmly fasten the Bonnet onto the Spindle using a spanner.



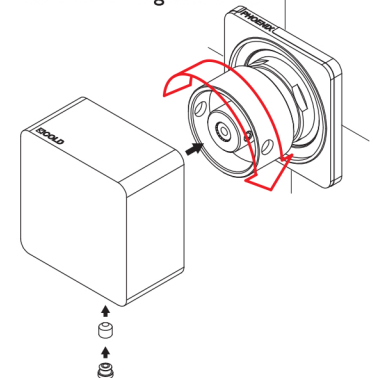
3 Fit O-Ring to the groove in the rear of the Dress Plate.
Fit Dress Plate Assembly over the Spindle.
Firmly fasten Lock Nut onto the Spindle to secure the Dress Plate Assembly.



4 Turn the spindle clockwise until the cartridge is set to OFF position.
Fit Spindle Adaptor to Spindle and fasten firmly with the grub screws using the Allen Key provided.



5 Make sure that the cartridge is set to OFF position.
Fit Handle to Spindle Adaptor and fasten firmly with the Grub Screw using the Allen Key provided.
Push Screw Plug into hole.



recommended working pressure
150-500 KPa
maximum hot water temperature
75 degrees