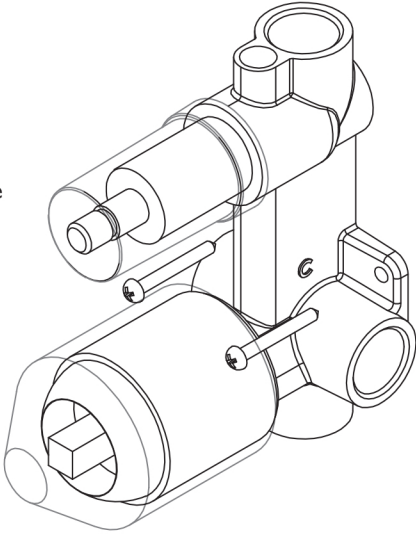


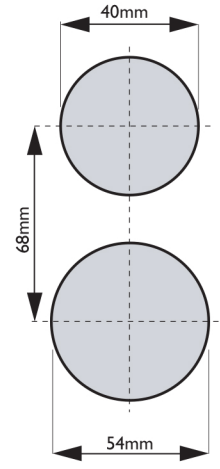
**1**

Screw the diverter mixer assembly in place. Attach water supply.  
Test and check for leaks  
Do not remove Protective Covers until final fit-off.



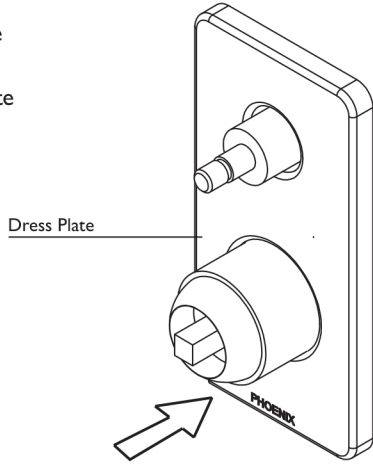
**2**

Cut a 40mm hole and a 54mm hole in cement sheet and tiles, 68mm apart, as shown.



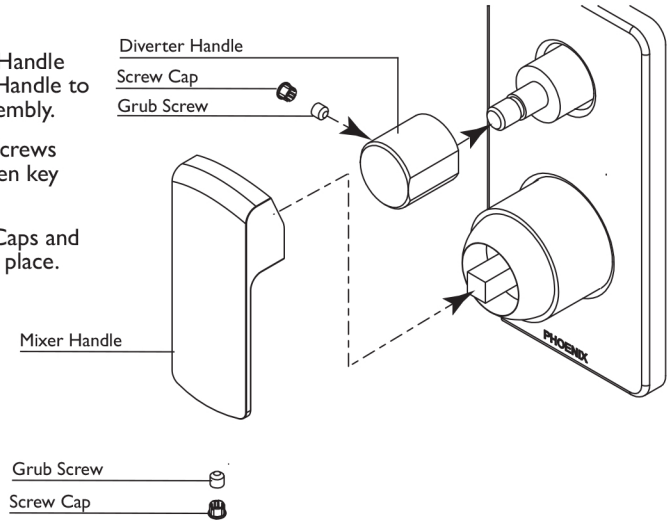
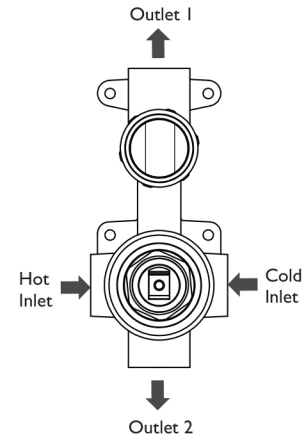
**3**

Remove the protective covers.  
Gently push Dress Plate onto Mixer Assembly



**4**

Attach Mixer Handle and Diverter Handle to the Mixer Assembly.  
Fasten Grub Screws firmly with Allen key supplied.  
Insert Screw Caps and press firmly in place.



recommended working pressure  
**150-500 KPa**  
maximum hot water temperature  
**75 degrees**