

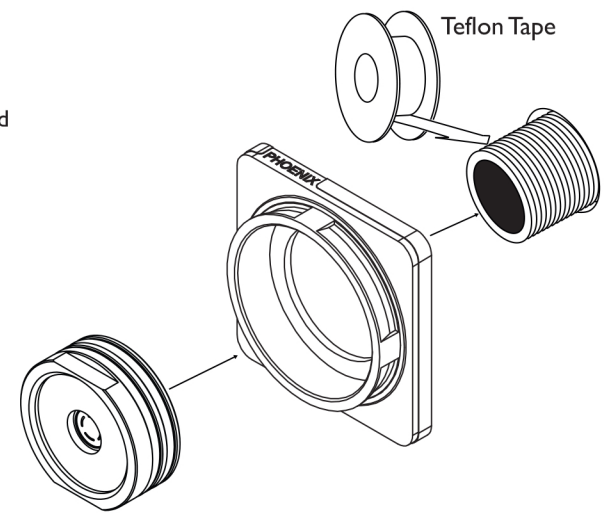
**1**

Apply Teflon Tape to Threaded Elbow.

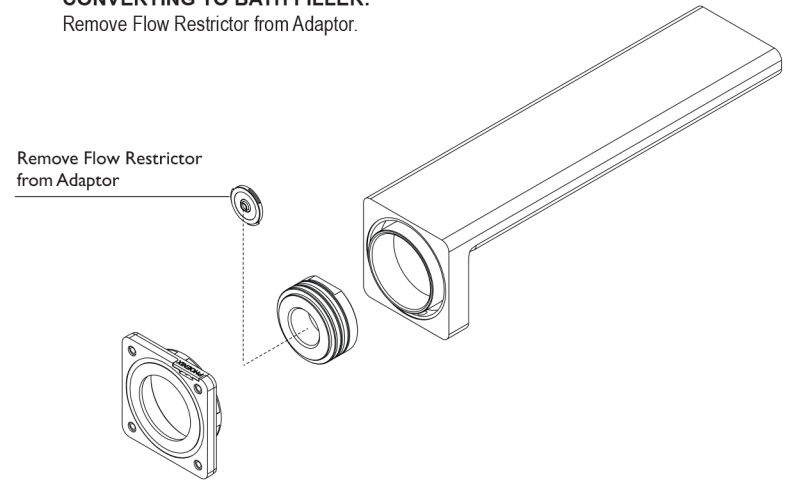
Place the dress plate assembly onto the threaded elbow.

Make sure that O-Rings and White Flow Restrictor are attached to the Spout Adaptor.

Screw Spout Adaptor onto Threaded Elbow firmly with a spanner.



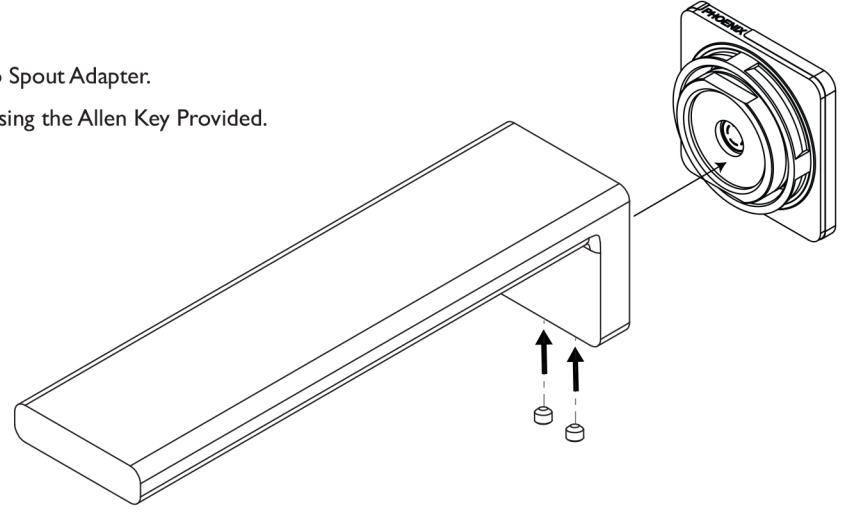

**CONVERTING TO BATH FILLER:**  
Remove Flow Restrictor from Adaptor.



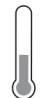
**2**

Push Wall Outlet onto Spout Adapter.

Fasten Grub Screws using the Allen Key Provided.

recommended working pressure  
**150-500 KPa**



maximum hot water temperature  
**75 degrees**