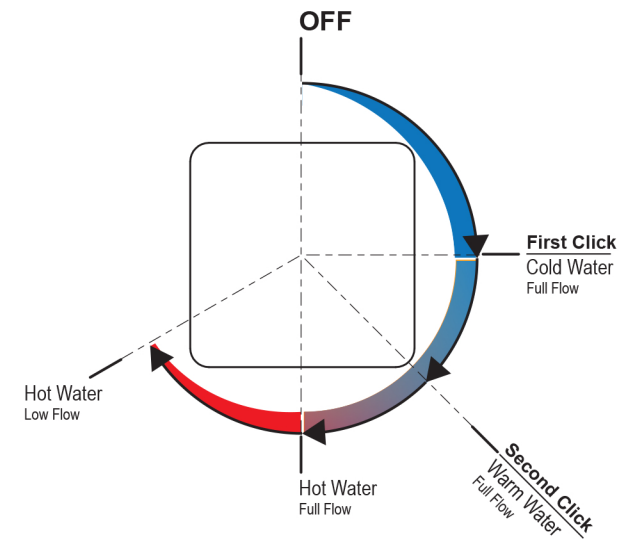
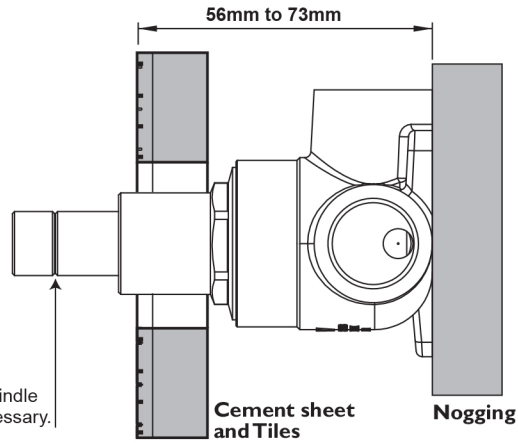


BREACH SET-UP: Total adjustment range is from 56mm to 73mm, from finished wall face. **Between 64mm to 73mm**, handle can be installed without trimming the spindle.

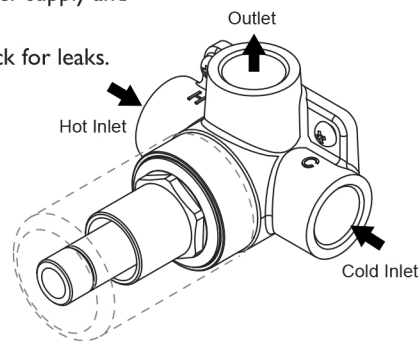


1

Mount the Mixer Body in place using the wood screws provided. Ensure that Mixer Body is level.

Connect water supply and water outlet.

Test and check for leaks.



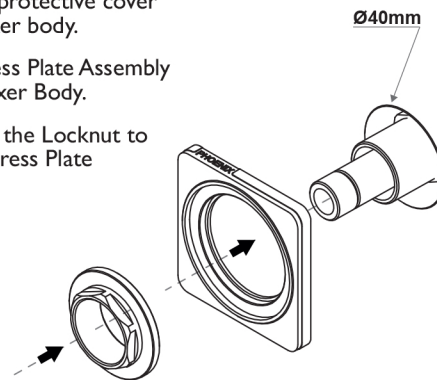
2

Create a 40mm round hole in cement sheet and tiles.

Remove the protective cover from the mixer body.

Push the Dress Plate Assembly onto the Mixer Body.

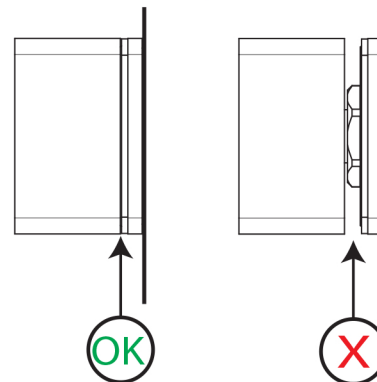
Firmly fasten the Locknut to secure the Dress Plate Assembly.



3

Check if the spindle needs to be trimmed.

Mixer handle should be resting on the dress plate assembly.



Continue to step 4.

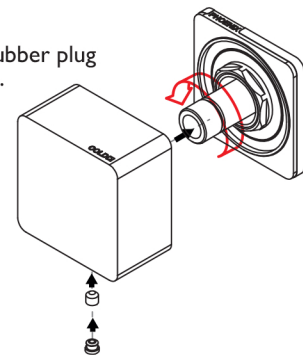
Trim the spindle at "V-CUT" position.

4

Turn the spindle Anti-Clockwise until the cartridge is set to OFF position.

Fit the mixer handle to the spindle and fasten with the grub screw.

Push the rubber plug to position.



recommended working pressure

150-500 KPa

maximum hot water temperature

55 degrees

