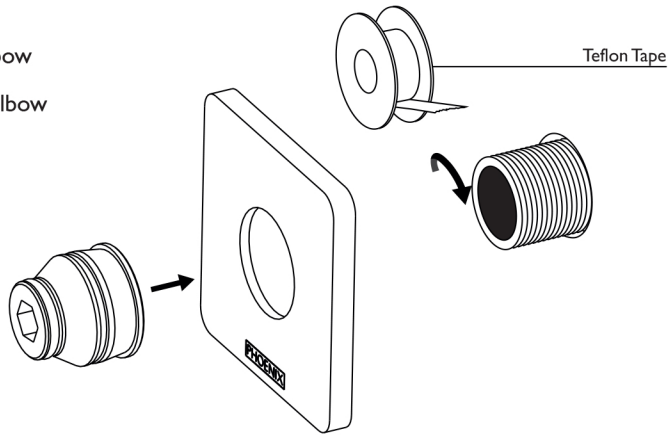


1

Apply Teflon Tape to Threaded Elbow

Place Back Plate over the Threaded Elbow

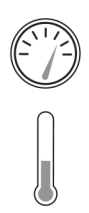
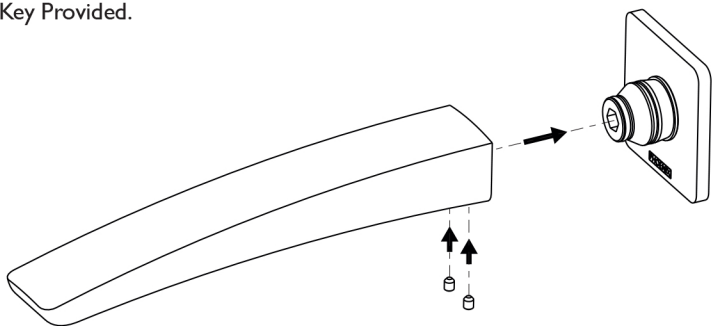
Screw Spout Adapter onto Threaded Elbow and tighten firmly



2

Push Wall Outlet onto Spout Adapter.

Fasten Grub Screws using the Allen Key Provided.



recommended working pressure
150-500 KPa
maximum hot water temperature
75 degrees