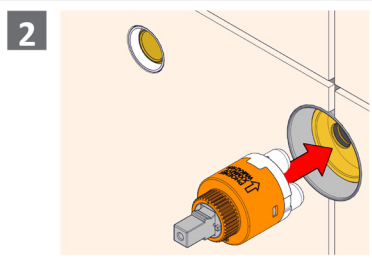


1

Remove Test Caps with a flat blade screwdriver or spanner.

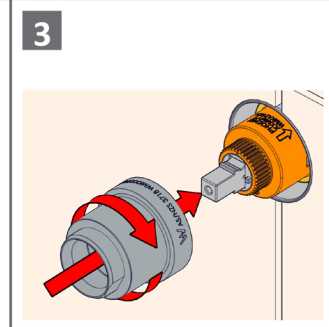
Ensure that no Test Plugs are in Body.



2

Add grease or soap to Cartridge Legs. Push Cartridge gently Into Body. Ensure correct orientation.

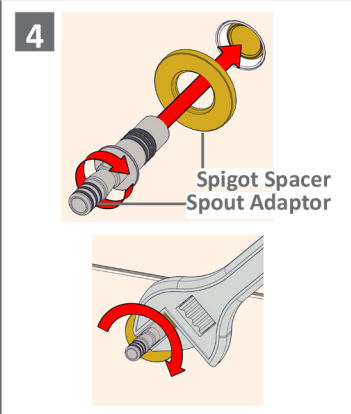
Cartridge only fits in one orientation.



3

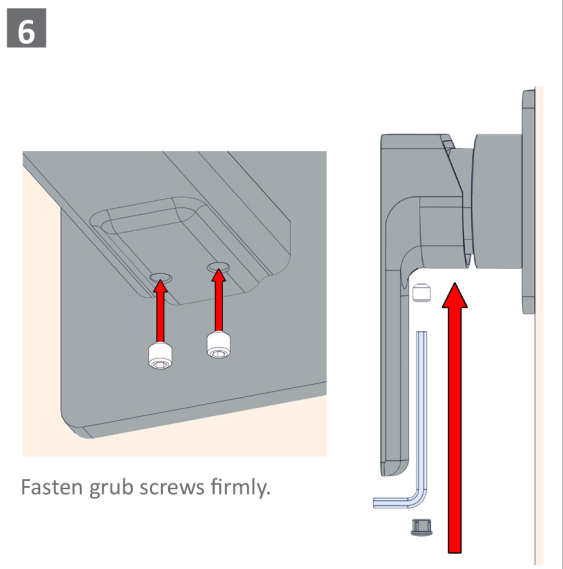
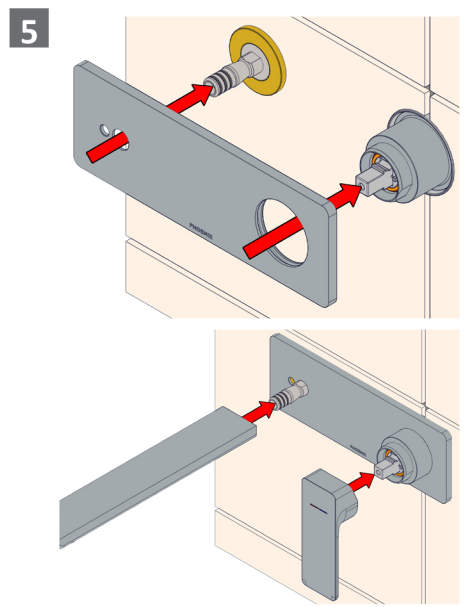
Fasten Cartridge Sleeve to Mixer Body using a shifting spanner.

Do not over tighten.



4

Install Spout Adaptor ensuring it presses spigot spacer against wall. Tighten using spanner.



6

Fasten grub screws firmly.



For Basin

For Bath

recommended working pressure
150-500KPa
 maximum hot water temperature
75 degrees