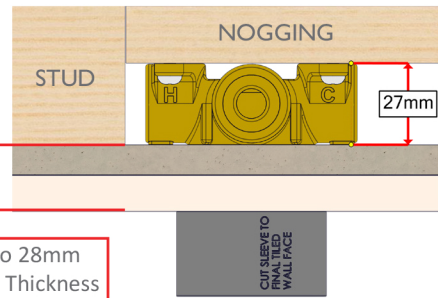


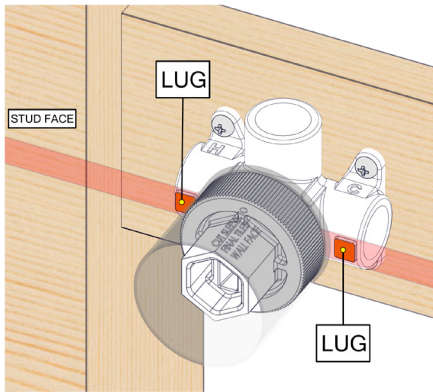
ADJUSTMENT RANGE



Range from the Nogging face to the Stud Face is 27mm as shown.

Adjustment range from the finished face of the tiles to the stud is 17mm to 28mm as shown.

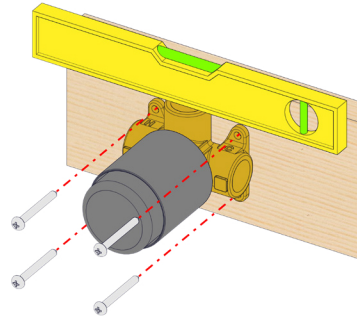
Check Wall Mixer Lugs are Flush to Stud to allow for installation of sheet and tiles



Check Lugs (Highlighted in ORANGE) are Flush with Front of Stud.

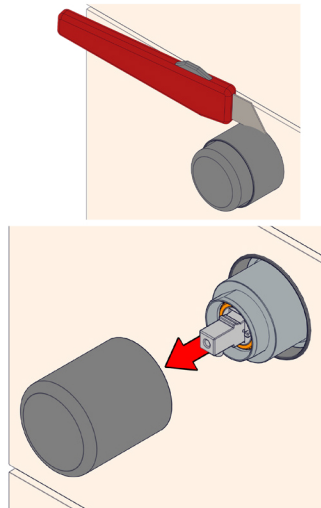
1 Screw the Mixer Breach onto Nogging to dimensions shown in adjustment range.

Ensure that the mixer body is level.

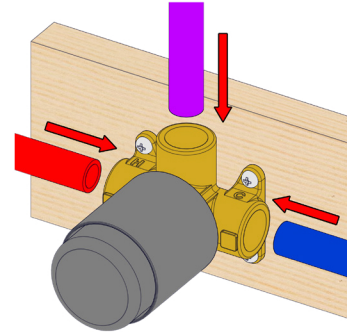


4 After Tiling use Knife to Trim Waterproofing Sleeve flush to Tile face.

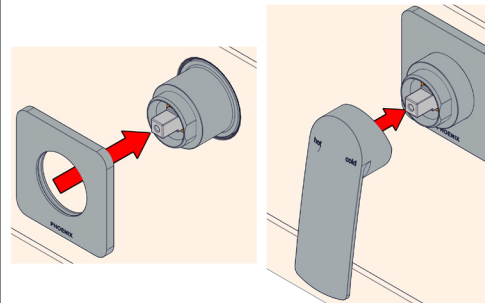
Remove Protective Cover.



2 Plumb all connections to Mixer Body.
Perform **PRESSURE TEST** and check for leaks.

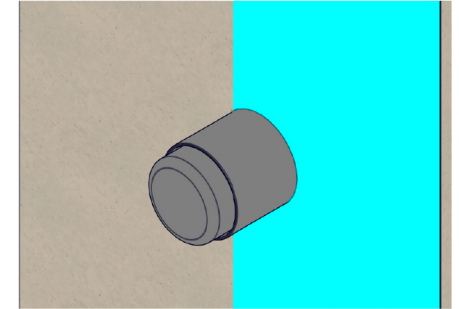


5 Gently Push Dress plate over assembly.
Push Handle onto Cartridge.

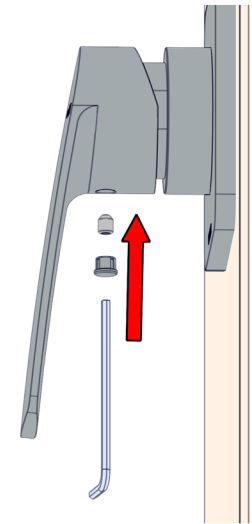


3 Create a 50mm diameter hole in the cement sheet or Plasterboard.

Apply waterproofing membrane up to Waterproofing Sleeve.



6 Tighten Grub Screw and push in Cap to secure handle.



recommended working pressure
150-500KPa
maximum hot water temperature
75 degrees