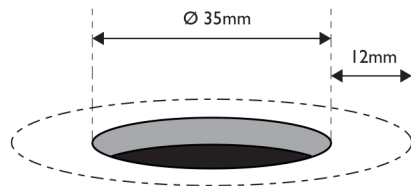


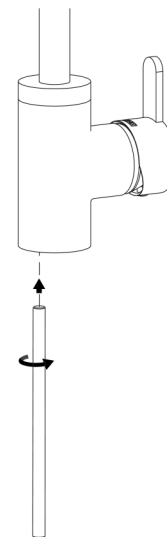
**1**

Cut a mounting hole 35mm in diameter. There must be a minimum 12mm width of flat around the hole.



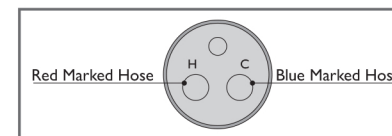
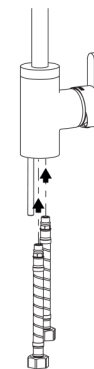
**2**

Screw the Threaded Rod into the Mixer Body.



**3**

Screw the Red Marked Hose into the hole marked 'H' and the Blue Marked Hose into the hole marked 'C'.

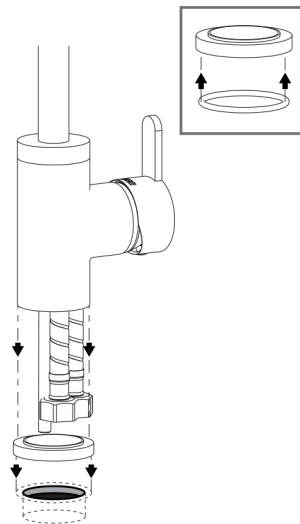


**4**

Fit the O-Ring into the groove under the Dress Ring.

Position the Dress Ring over the Mounting Hole.

Place the Mixer Body onto the Dress Ring.



**5**

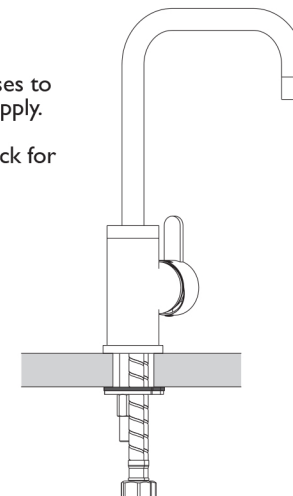
Underneath the Mounting Hole, feed the Rubber Mounting Gasket then the Mounting Plate onto the Threaded Rod.

Firmly fasten the Locknut using the provided Locknut Spanner.



**6**

Connect hoses to the water supply.  
Test and check for leaks.



recommended working pressure  
**150-500 KPa**  
maximum hot water temperature  
**75 degrees**