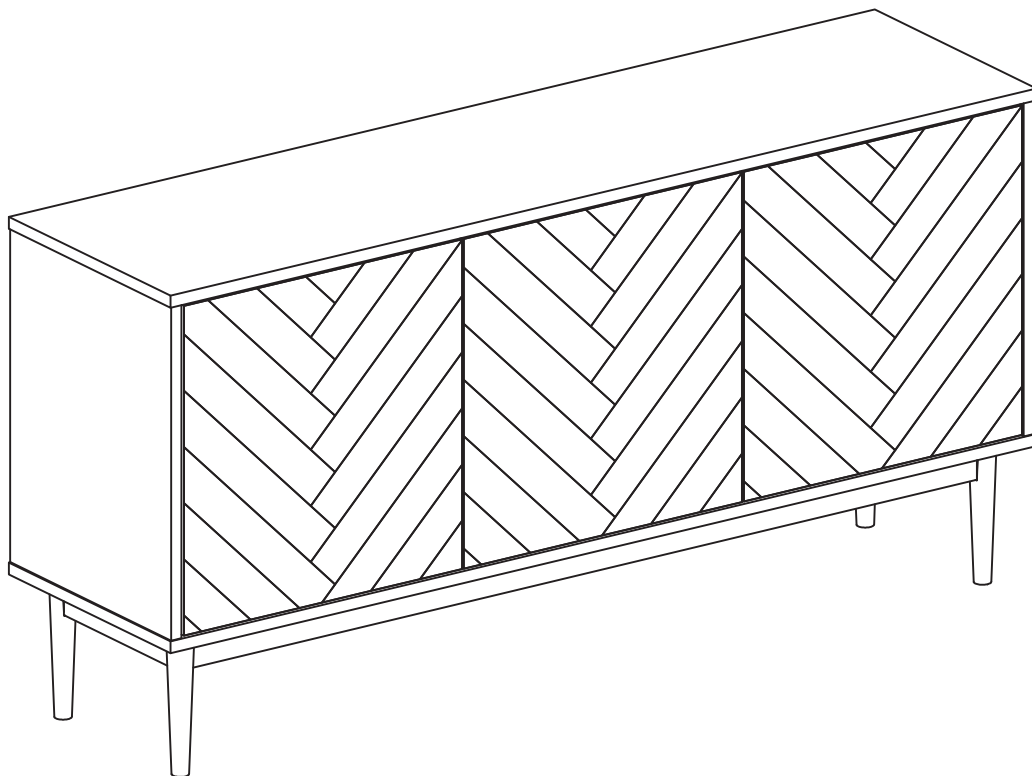


ASSEMBLY INSTRUCTIONS

Dion Oak Veneer Parquet Buffet Sideboard



Two people required

www.templeandwebster.com.au

Keep these instructions for future reference

Assemble the furniture on a soft level surface to avoid damaging the furniture or your floor.

Parts of the assembly will be easier with 2 people.

We recommend furniture be assembled near where they will be placed, to avoid moving the product unnecessarily once assembled.

If there is a need to move the furniture, please remove all loose items and have extra hands to help lift the furniture to the desired location. Dragging the furniture will damage both the furniture and the floor.

Regularly check and re-tighten (if necessary) all bolts on furniture that you have assembled yourself.

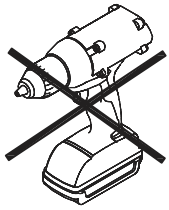
Warning: In order to prevent overturning, this product must be used with the wall attachment device provided.

Care and Maintenance of your Furniture

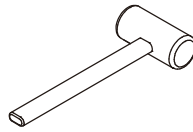
Wipe clean with a damp cloth. Use only water or a gentle detergent.

Wipe dry with a clean cloth.

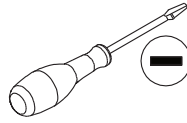
Tools Required



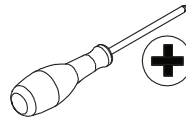
DO NOT USE



Mallet

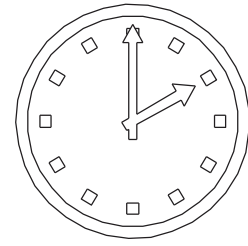


Flat head Screwdriver



Cross Screwdriver

Time Required

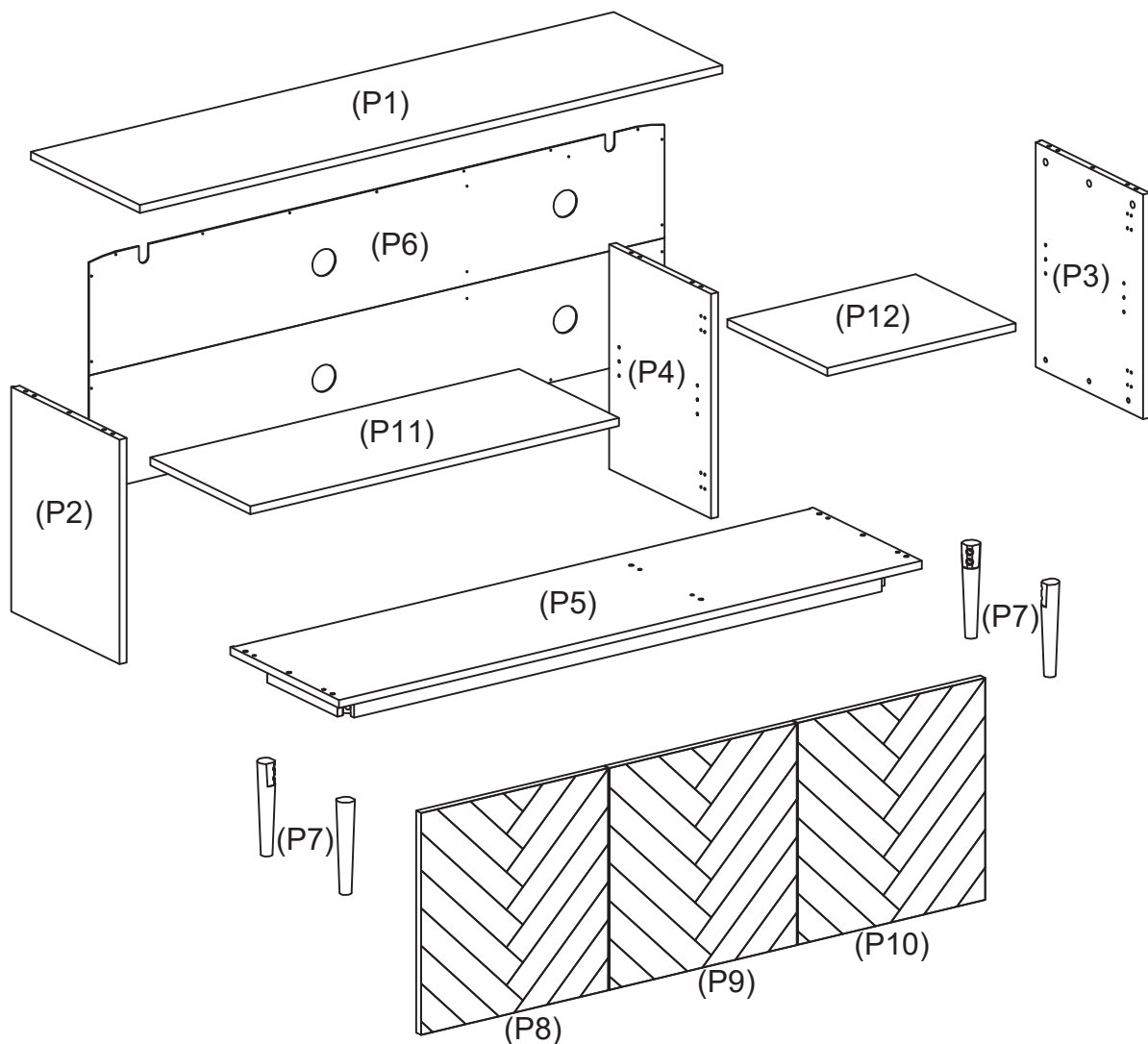


60 min

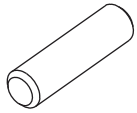
Parts List

| | | | |
|---------------|-------|-------------|---------|
| Top Panel | (P1); | Leg | (P7)x4; |
| Left Side | (P2); | Left Door | (P8); |
| Right Side | (P3); | Middle Door | (P9); |
| Divider Panel | (P4); | Right Door | (P10); |
| Base | (P5); | Big Shelf | (P11); |
| Back Panel | (P6); | Small Shelf | (P12); |

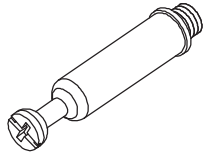
People Required



Hardware/Fittings



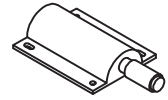
Ø8x30mm
Wood Dowel x 12
(H1)



Ø6x44mm
Connecting Bolt x 8
(H2)



Ø15x12mm
Locking Nut x 8
(H3)



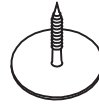
Push-to-open Latch x 3
(H4)



Ø3.5x16mm Screw x 12
(H5)



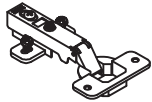
Ø3.5x16mm Screw x 42
(H6)



Door bumper x 3
(H7)



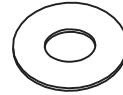
Hinge x 4
(H8)



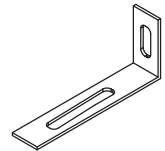
Hinge x 2
(H9)



Spring Washer x 8
(H10)



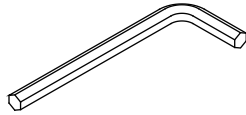
Ø16mm Washer x 8
(H11)



Bracket x 2
(H12)



M6x50mm Bolt x 8
(H13)



5mm Allen Key x 1
(H14)



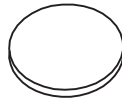
M8x60mm Bolt x 8
(H15)



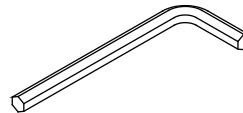
Ø10x12mm Nut x 8
(H16)



Shelf Support x 8
(H17)

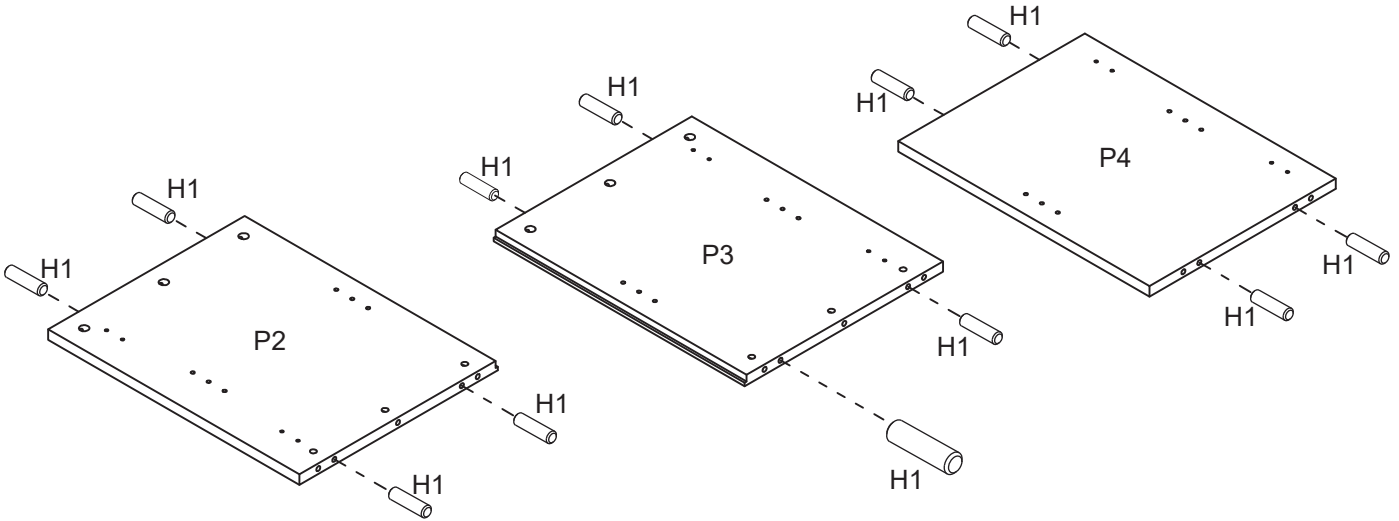


Ø20mm Felt Pad x 4
(H18)



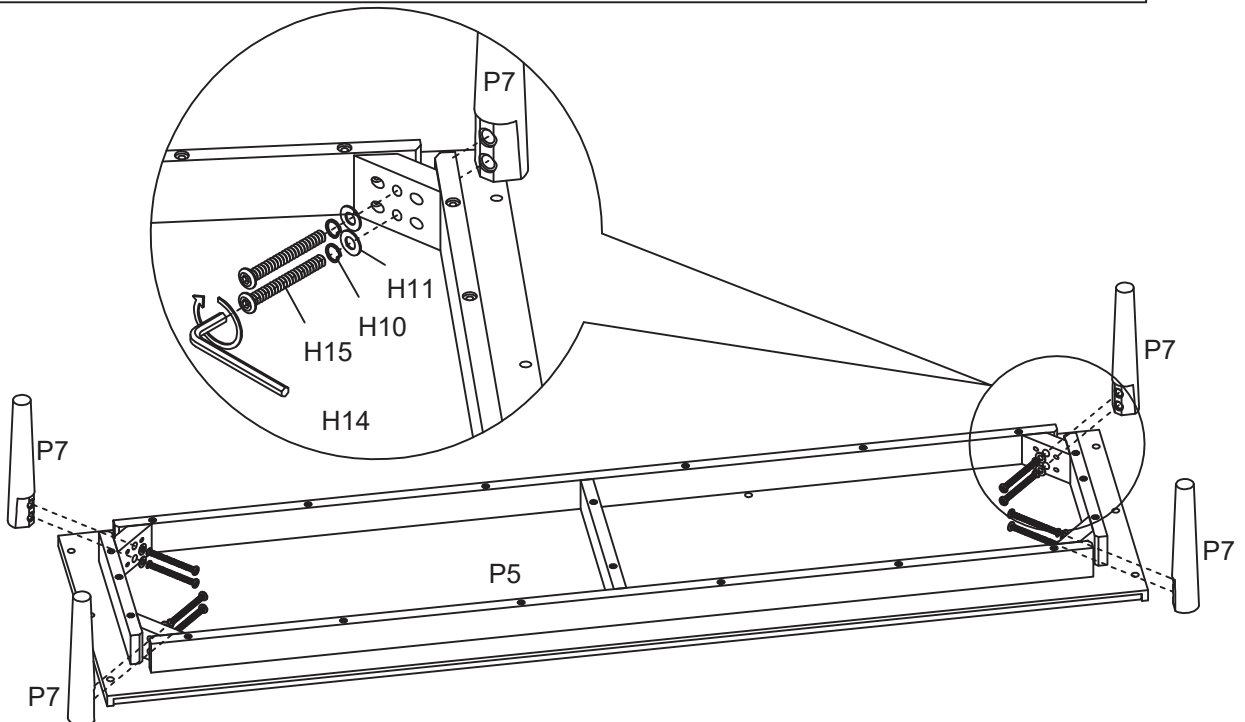
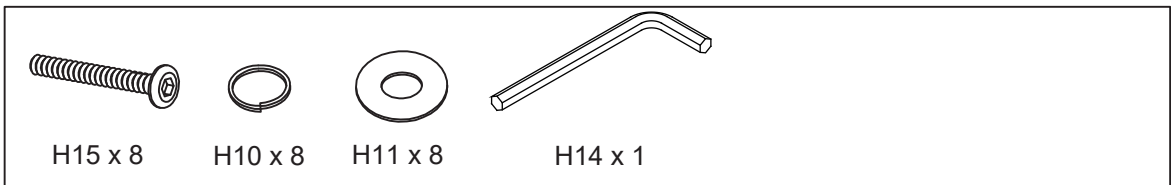
4mm Allen Key x 1
(H19)

1



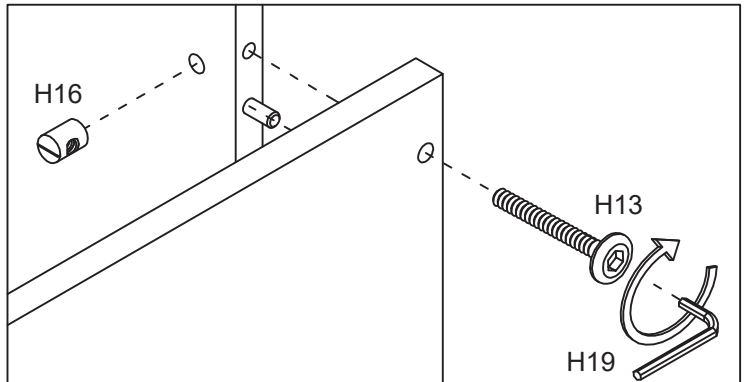
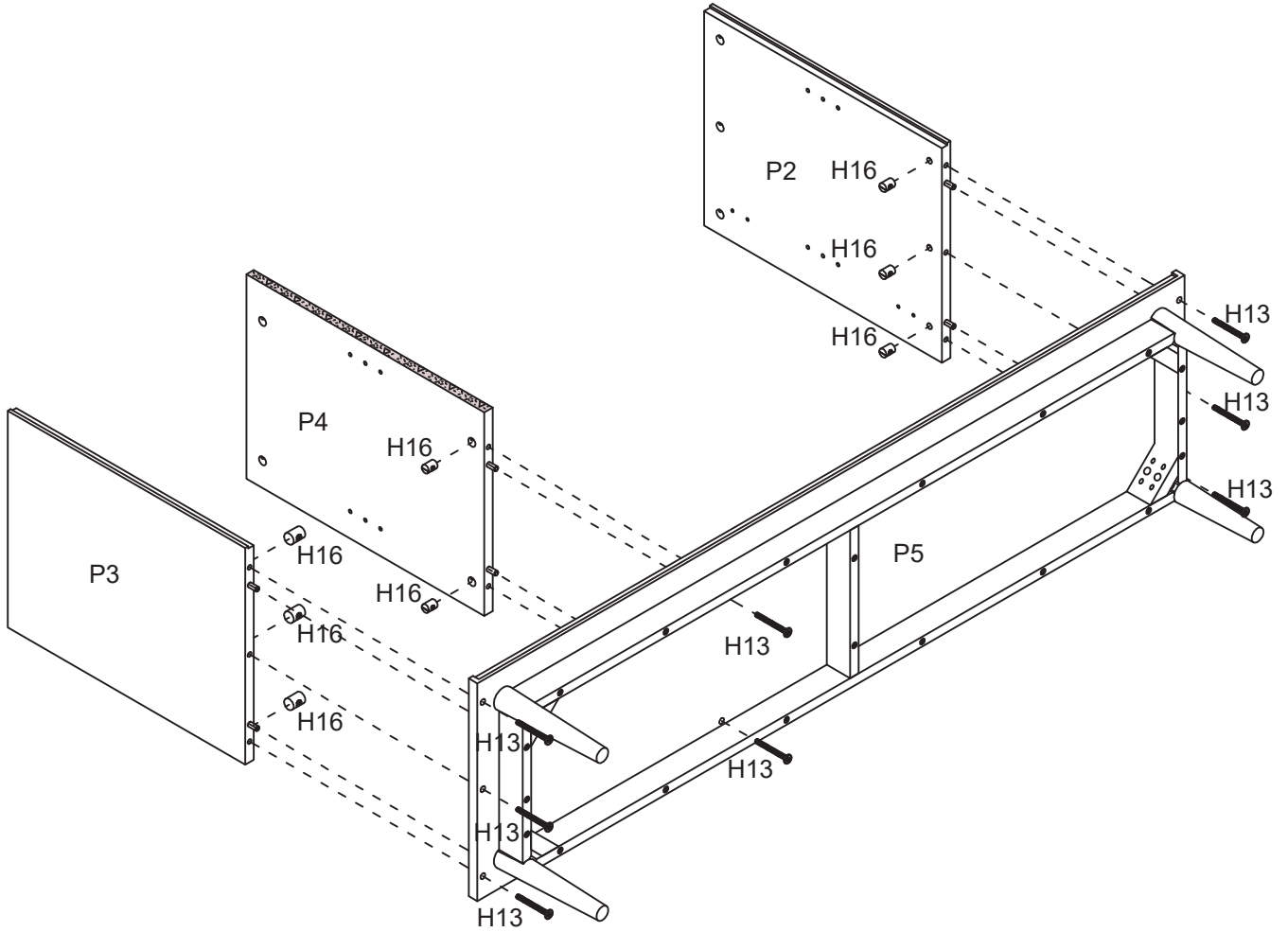
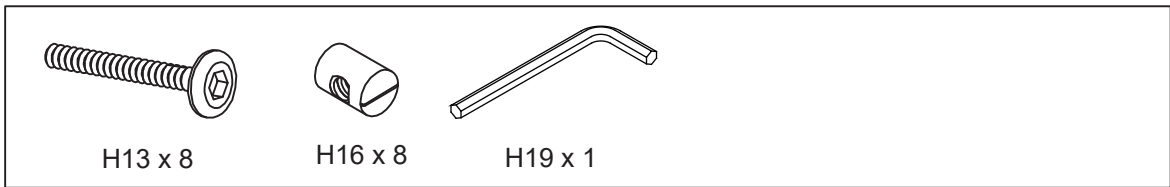
Insert 12 x Wood Dowels into Left Side (P2), Right Side (P3) and Divider Panel (P4).
If necessary, gently tap the wood dowels with a mallet.

2



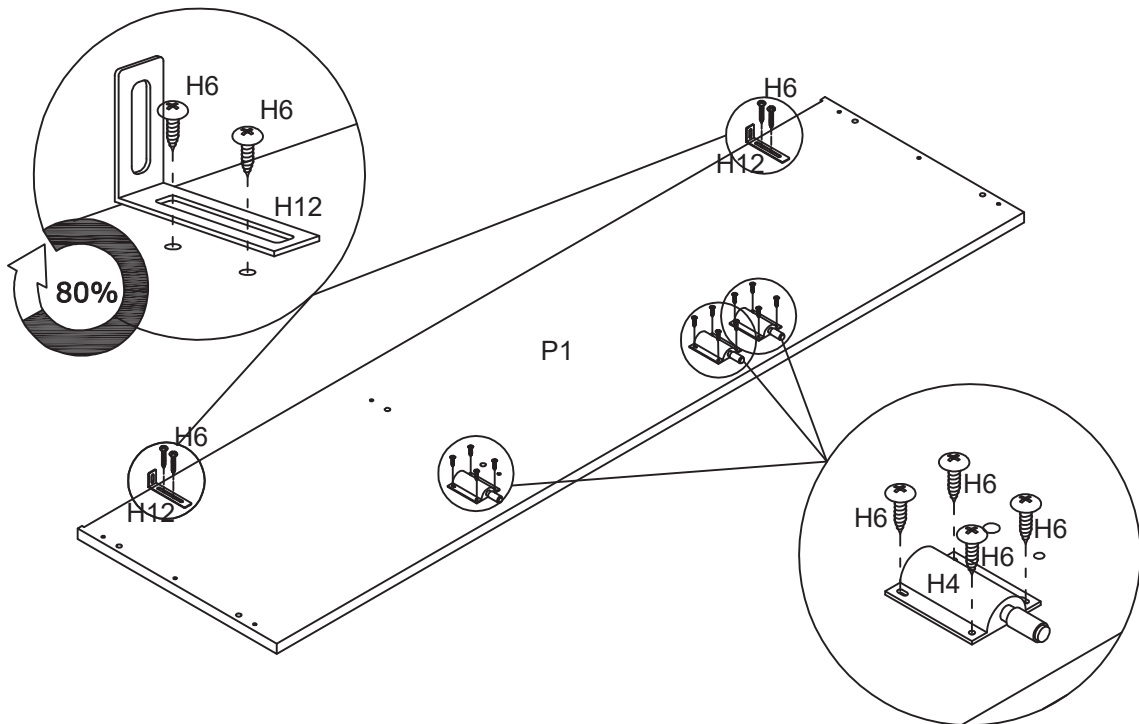
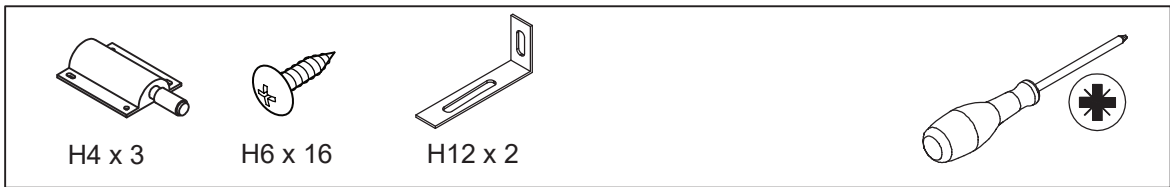
Attach 4 x Legs (P7) to Base (P5) using 8 x Bolts (H15), 8 x Spring Washers (H10) and 8 x Washers (H11).
Tighten the bolts with Allen Key (H14).

3



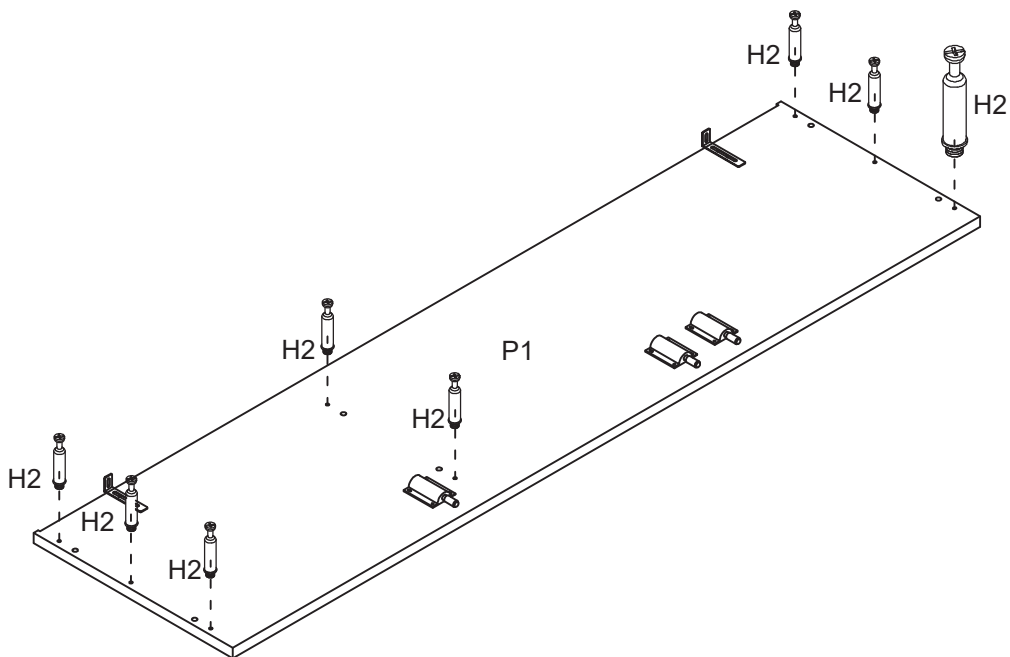
Attach Left Side (P2), Right Side (P3) and Divider Panel (P4) to Base (P5) using 8 x Bolts (H13) and 8 x Nuts (H16). Tighten the bolts with Allen Key (H19).

4



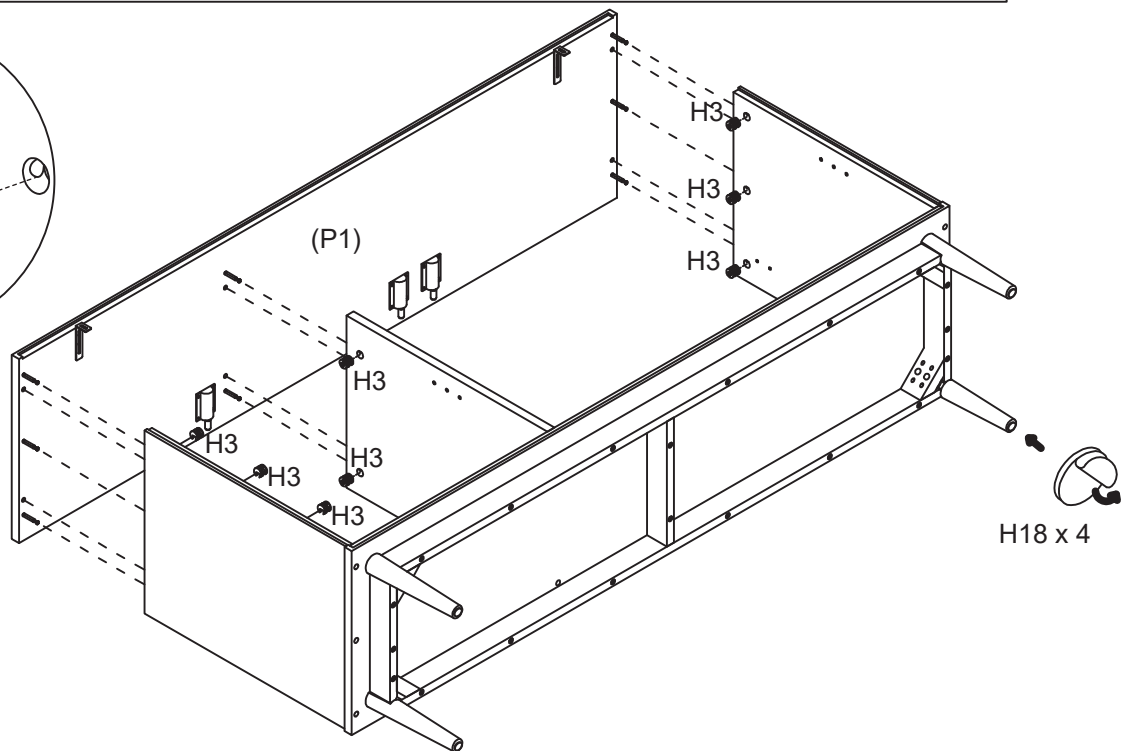
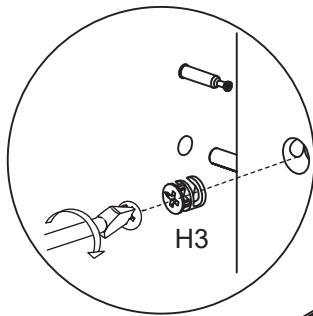
Fix 2 x Brackets (H12) to Top Panel using 4 x Screws (H6).
Fix 3 x Push-to-open Latches (H4) to Top Panel using 12 x Screws (H6).

5



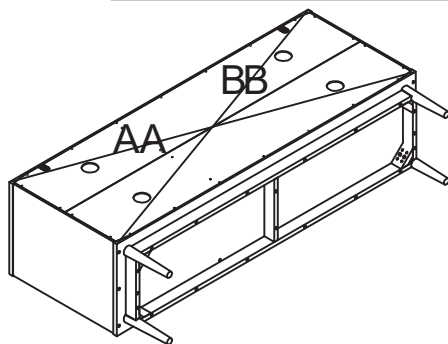
Screw 8 x Bolts (H2) into Top Panel (P1).

6

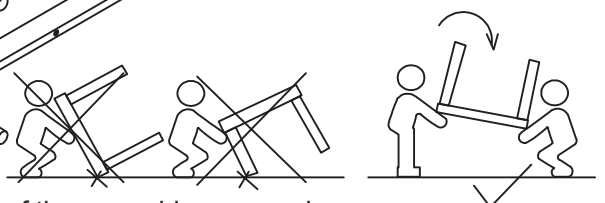
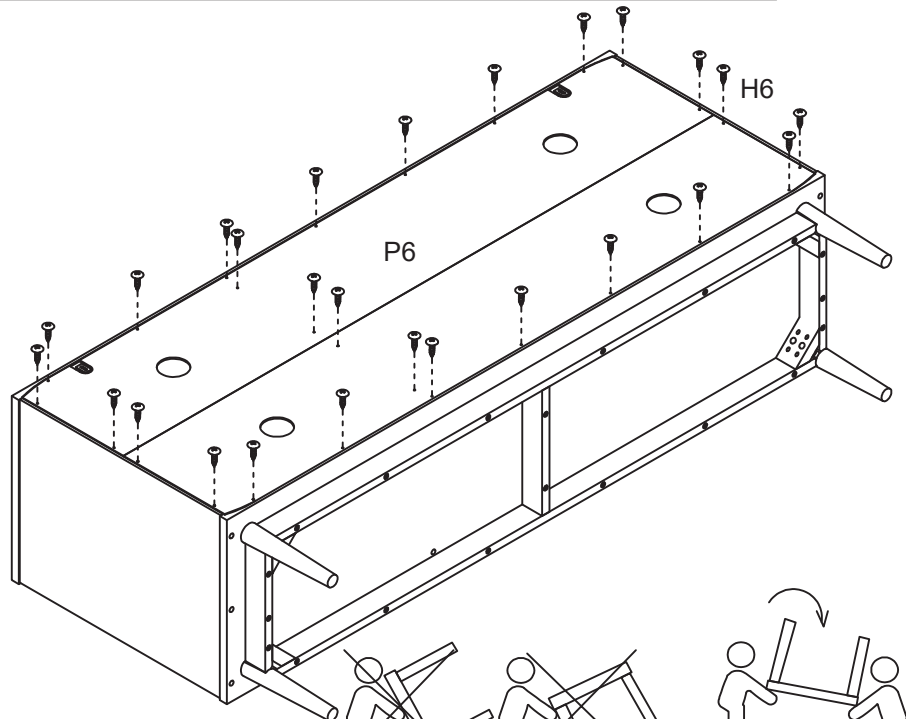


Attach Top Panel (P1) to Left Side (P2), Right Side (P3) and Divider Panel (P4).
 Using 8 x Locking Nuts (H3), Use a screwdriver to turn the nuts clockwise to lock.
 Attach 4 x Felt Pads (H18) to the 4 x Legs (P7).

7



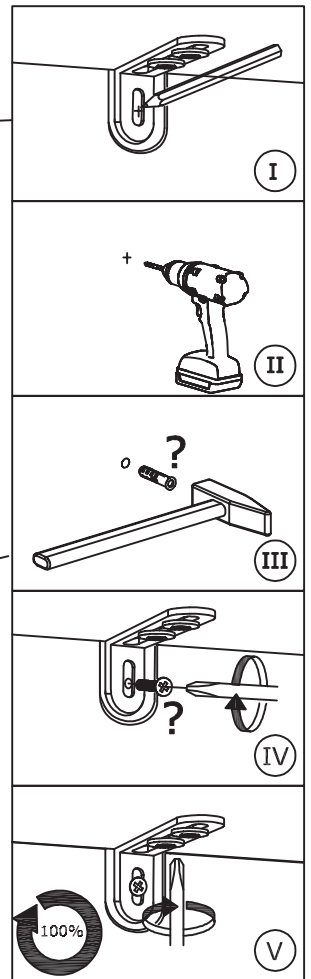
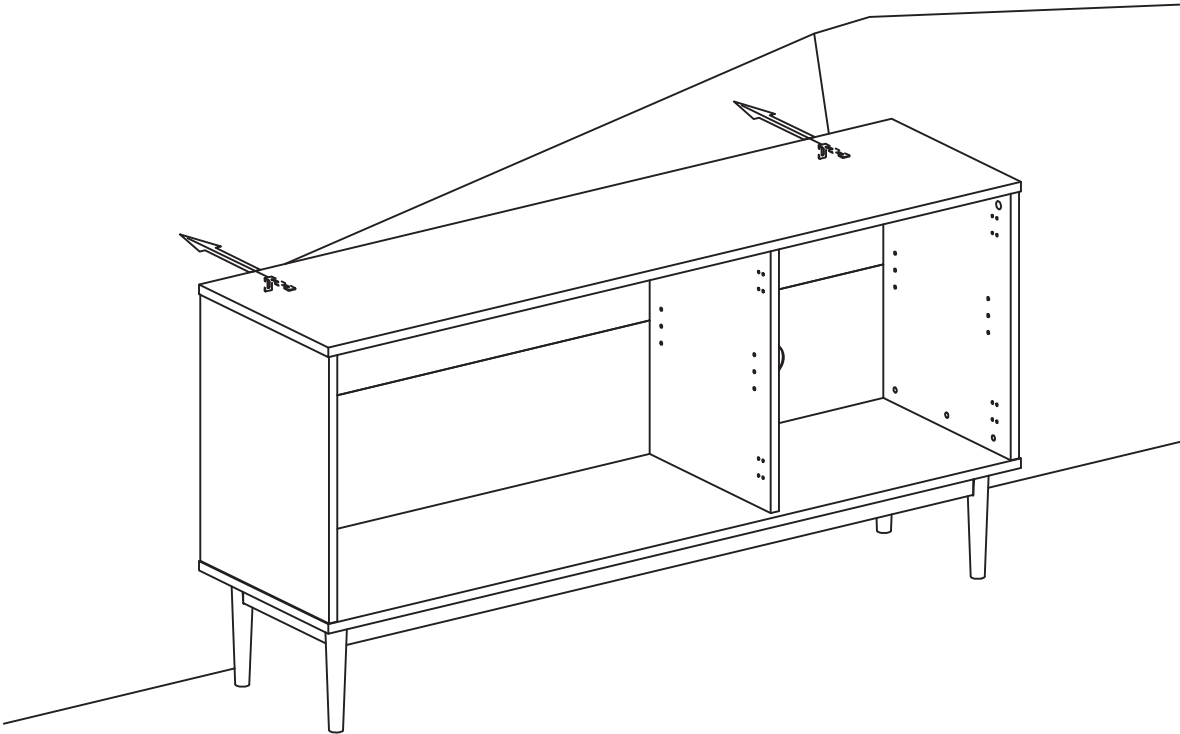
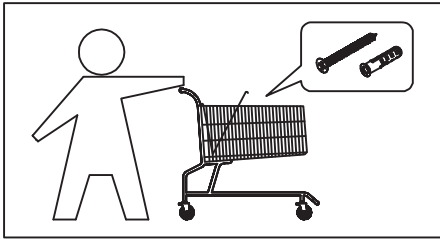
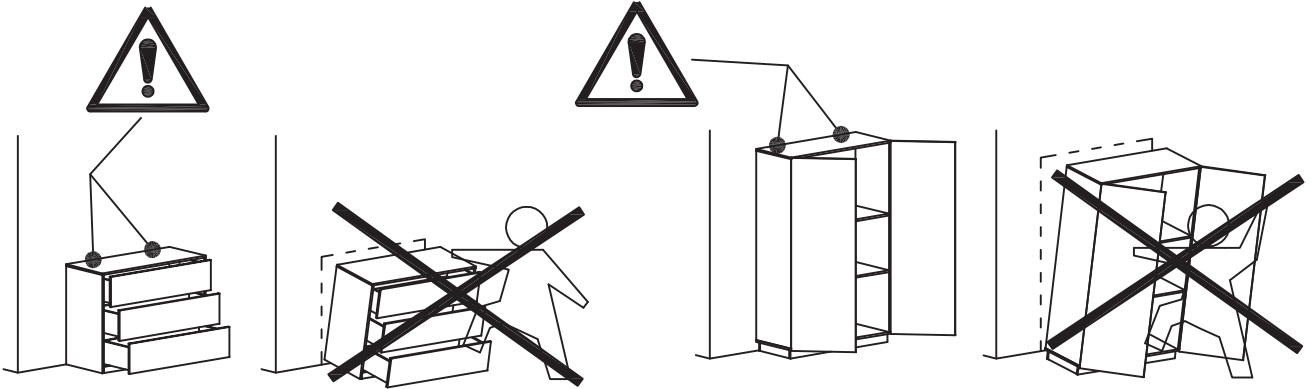
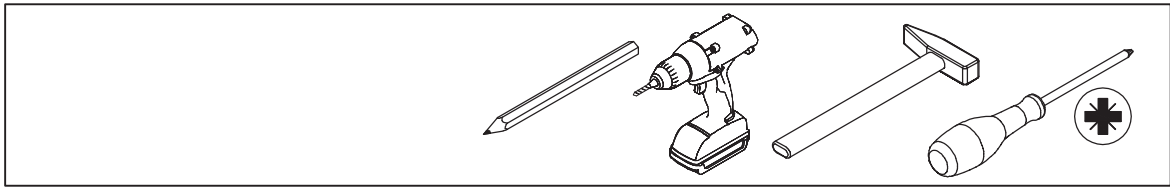
AA = BB



Place Back Panel (P6) onto the back as shown.
 If necessary, adjust the assembly so that the diagonal measurements of the assembly are equal.
 Fix the Back Panel (P6) to the Bottom, Left, Right Sides and Top Panel Using 26 x Screws (H6) as shown.

8 With help, carefully turn the sideboard over.

8

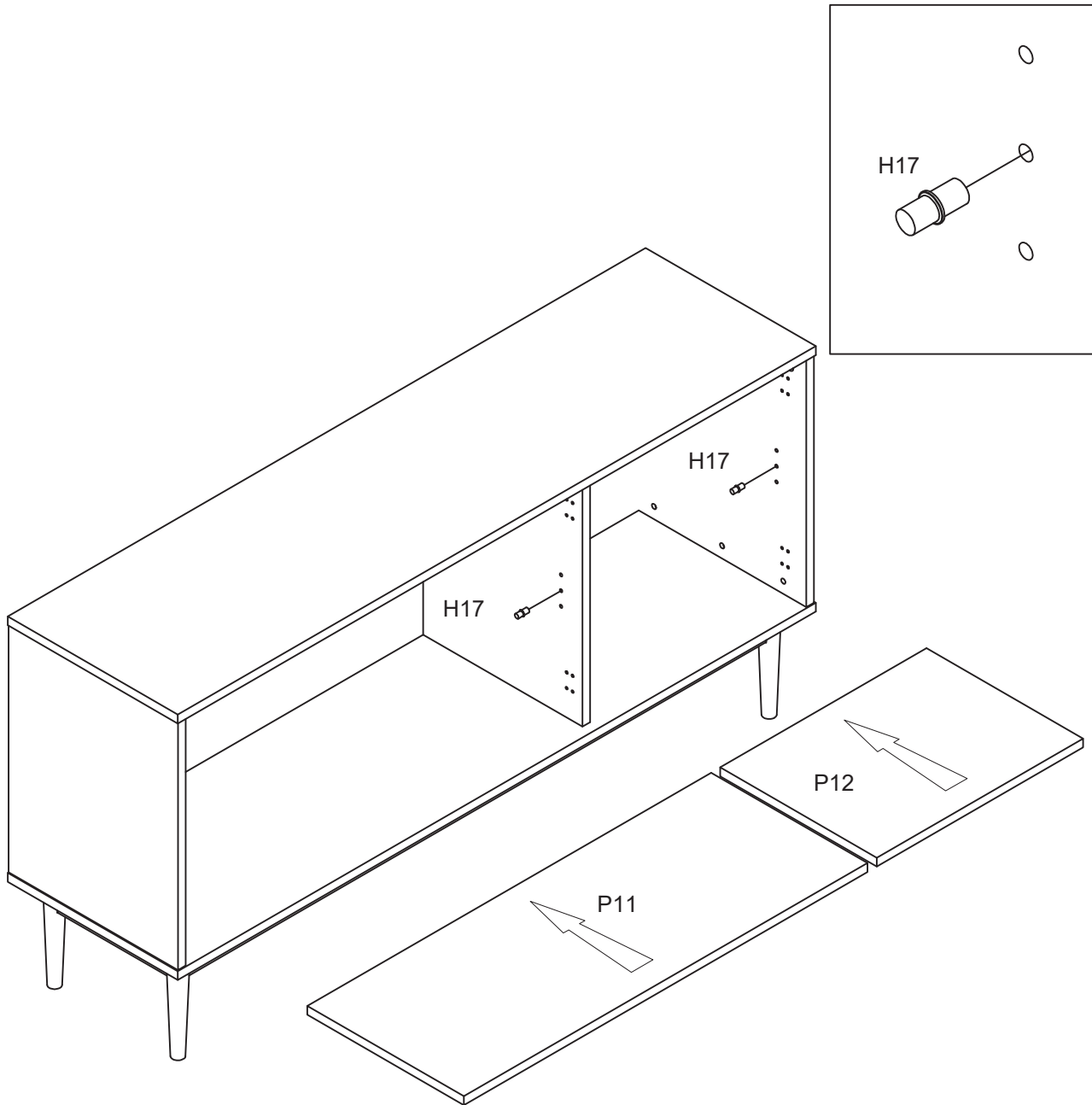


- I. With help, move the buffet into position. Mark drilling points on the wall.
- II. If necessary, remove the buffet and drill holes with sizes suitable for your wall fixings.
- III. Install wall fixings in the holes.
- IV. Fix the wall brackets to the wall with appropriate wall fixing screws.
- V. Fasten the wall brackets to the underside of the top panel.

9

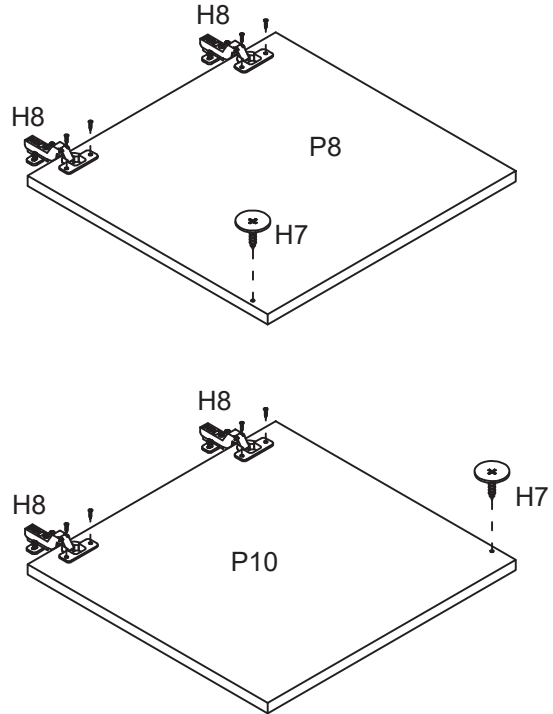
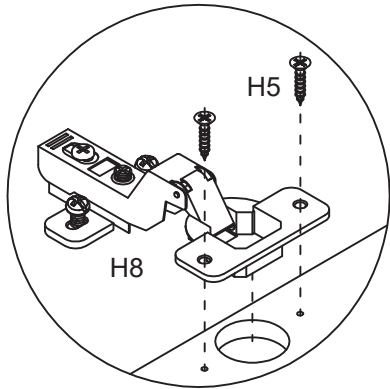


H17 x8



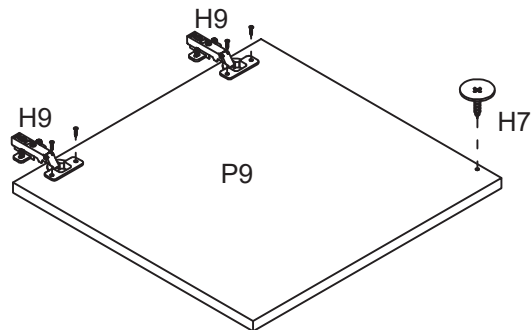
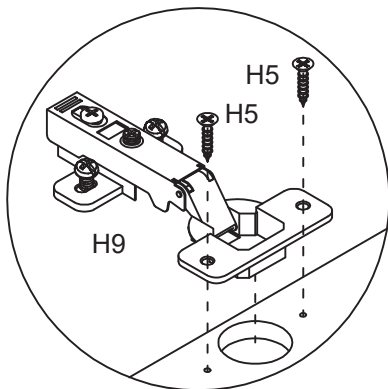
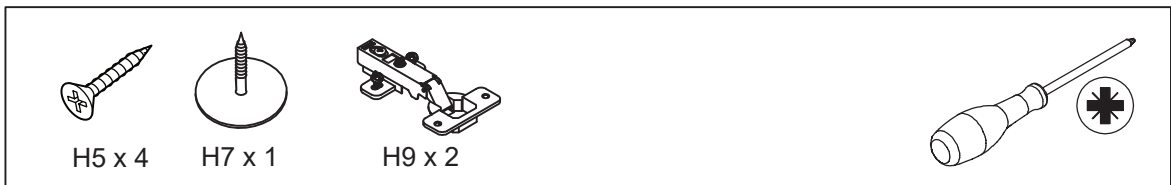
Insert 8 x Shelf Supports (H17) into desired locations on the Side and Divider panels.
Gently place the Big Shelf (P11) and Small Shelf (P12) as shown.

10



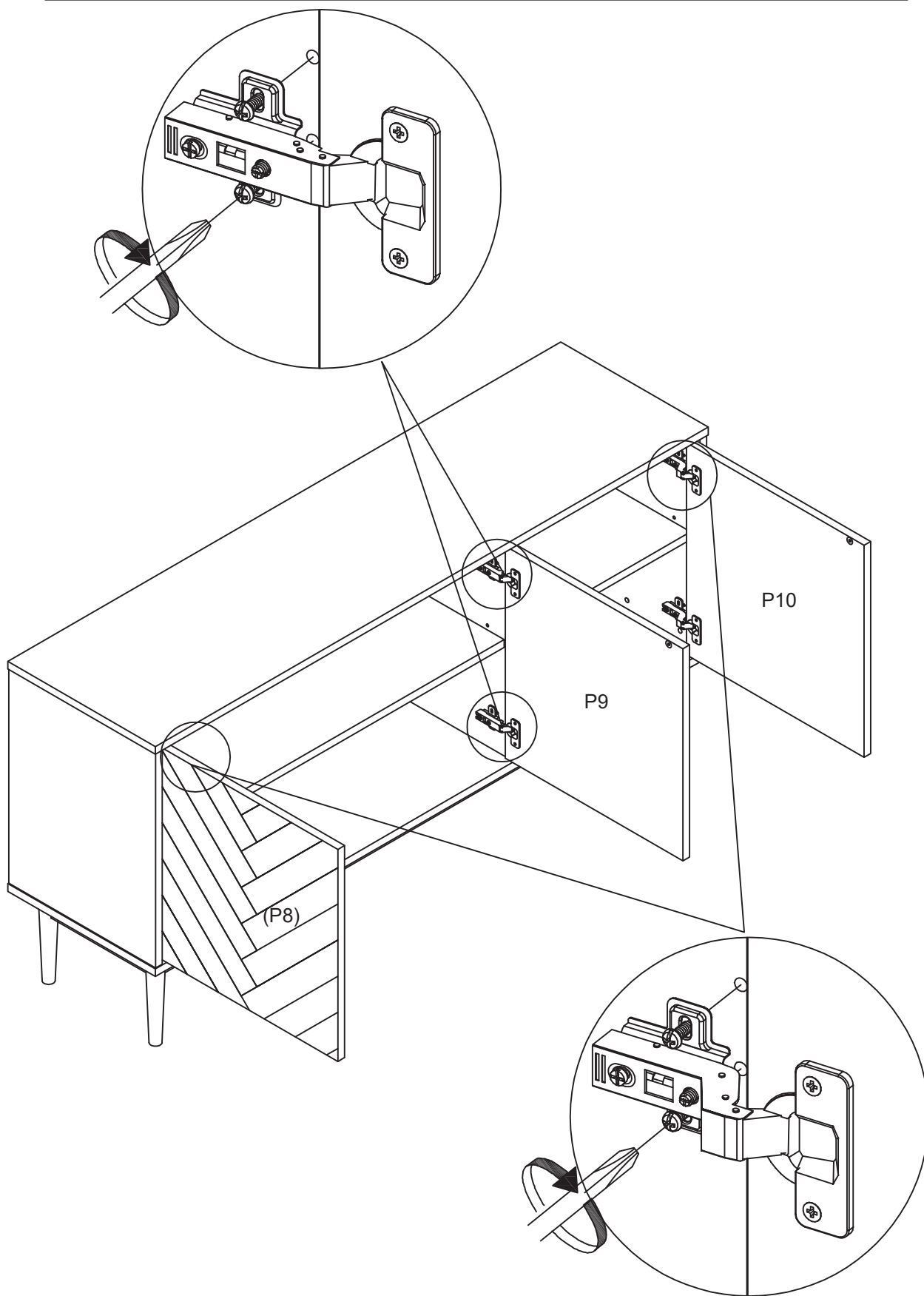
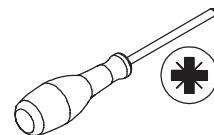
Fix 4 x Hinges (H8) to Left Door (P8) and Right Door (P10) using 8 x Screws (H5).
Fix 2 x Door bumpers (H7) to Left Door (P8) and Right Door (P10).

11



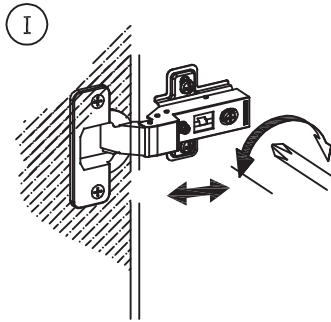
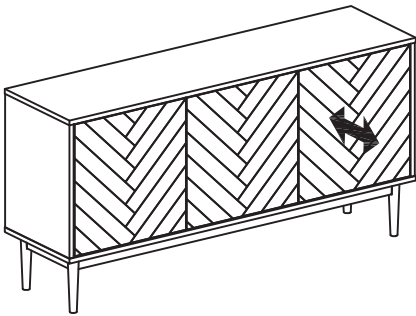
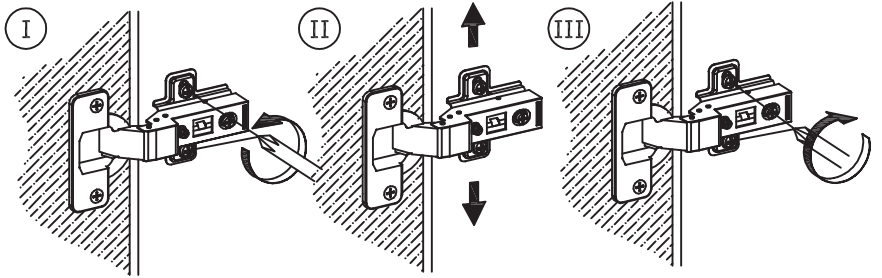
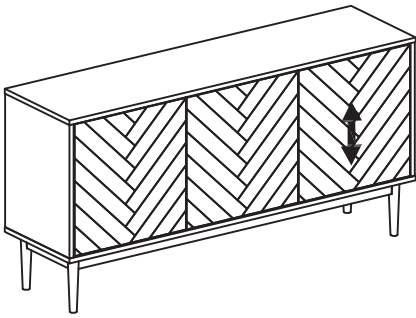
Fix 2 x Hinges (H9) to Middle Door (P9) using 4 x Screws (H5).
Fix 1 x Door bumper (H7) to Middle Door (P9).

12



Attach the doors on the cabinet as shown.

13

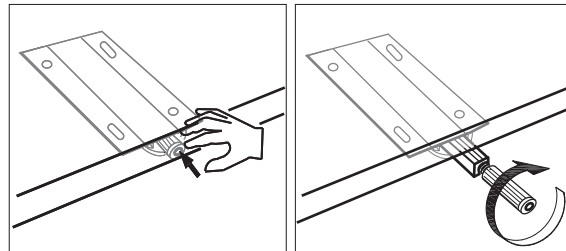
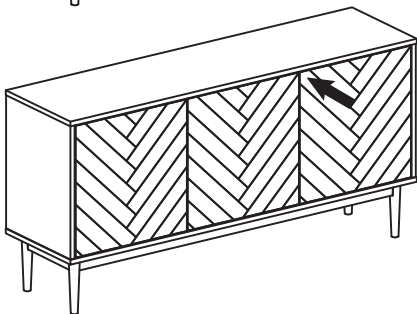
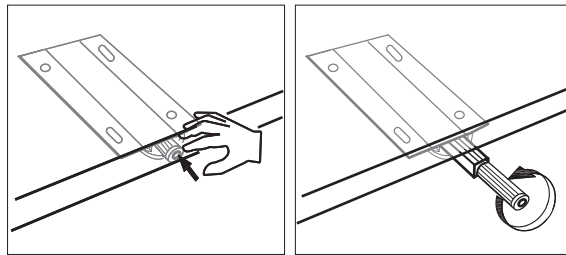
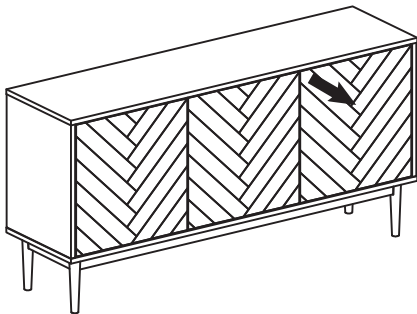
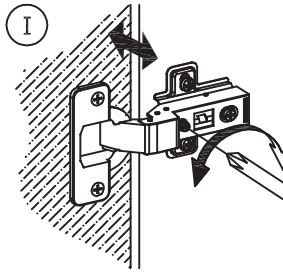
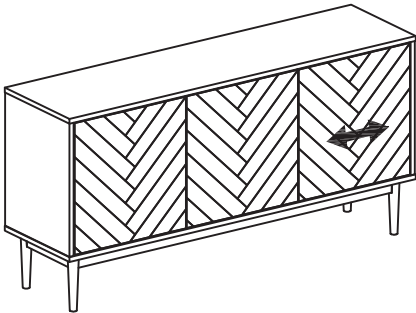


If adjustment is necessary, please follow the steps below:

To move doors up or down: loosen the screws on the hinge plate and move the doors to suit. Once doors are aligned, re-tighten the screws.

To move doors in or out: loosen or tighten the screws on the hinge plate, as shown.

To move doors left or right: loosen or tighten the screws to suit, as shown.

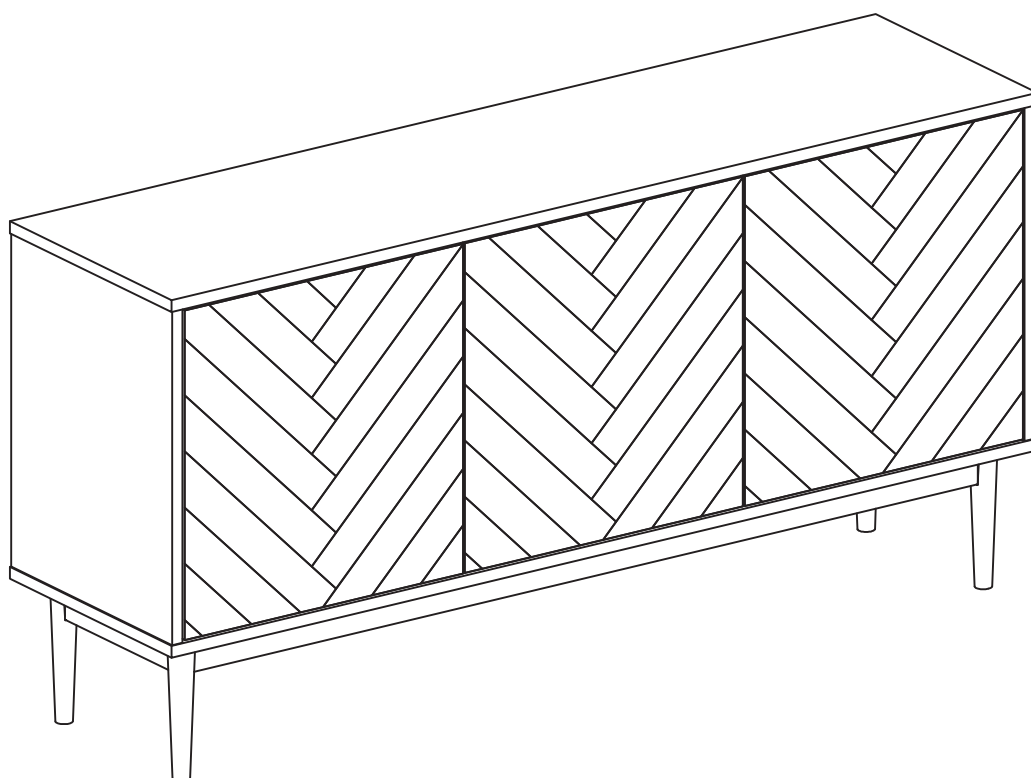


To adjust the push-to-open latches, please follow the steps below:

Push and release the piston once to allow the piston to extend.

Turn the piston clockwise or anti-clockwise to adjust the position of the piston.

Push the piston once to retract the piston.



Assembly is complete.

**Please dispose of all
packaging thoughtfully.**