

NICK ACCENT CHAIR

Hardware



M8*30mm

A

1x



M8*50mm

B

4x



Ø8/Ø16mm

C

5x

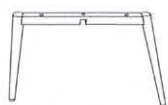


5 mm

D

1x

Components



E

1x



F

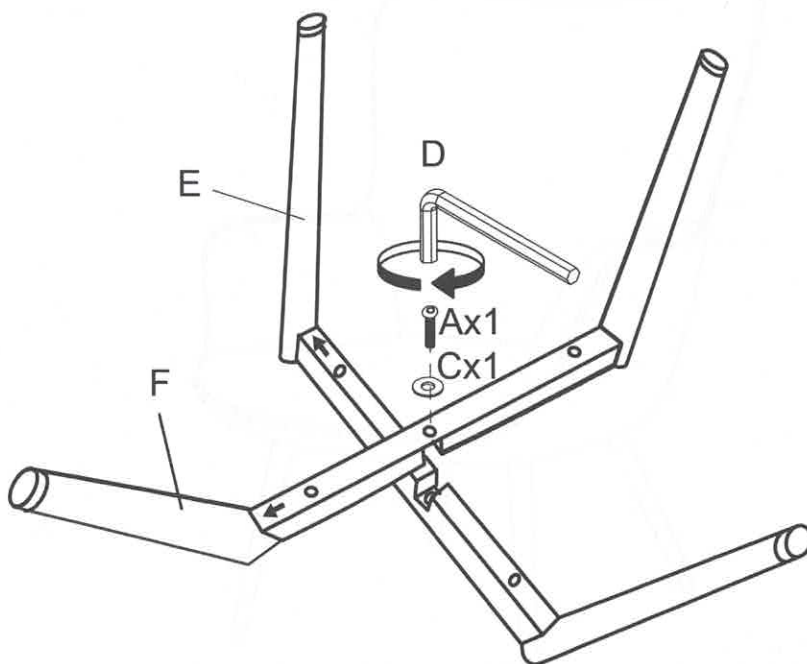
1x



G

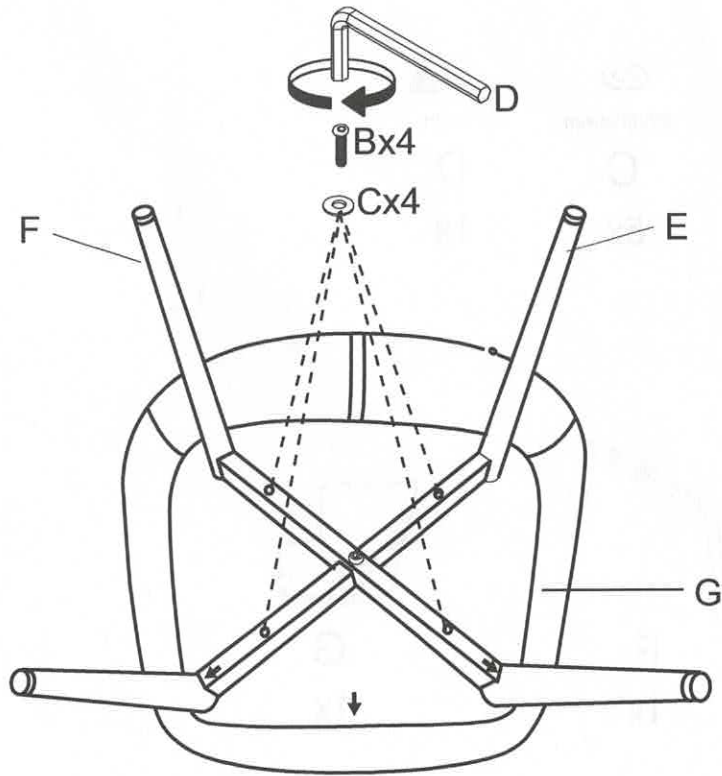
1x

Step 1



NICK ACCENT CHAIR

Step 2



Step 3

