

NICK ROCKING CHAIR

Hardware



M6*35mm

A

10x



Ø6/Ø18mm

B

4x

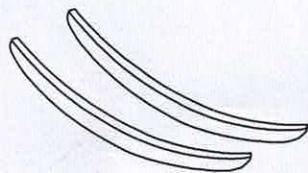


5 mm

C

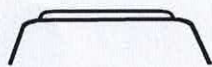
1x

Components



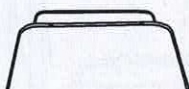
D

2x



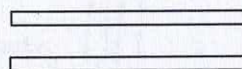
E1

1x



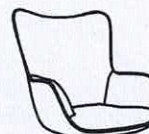
E

1x



F

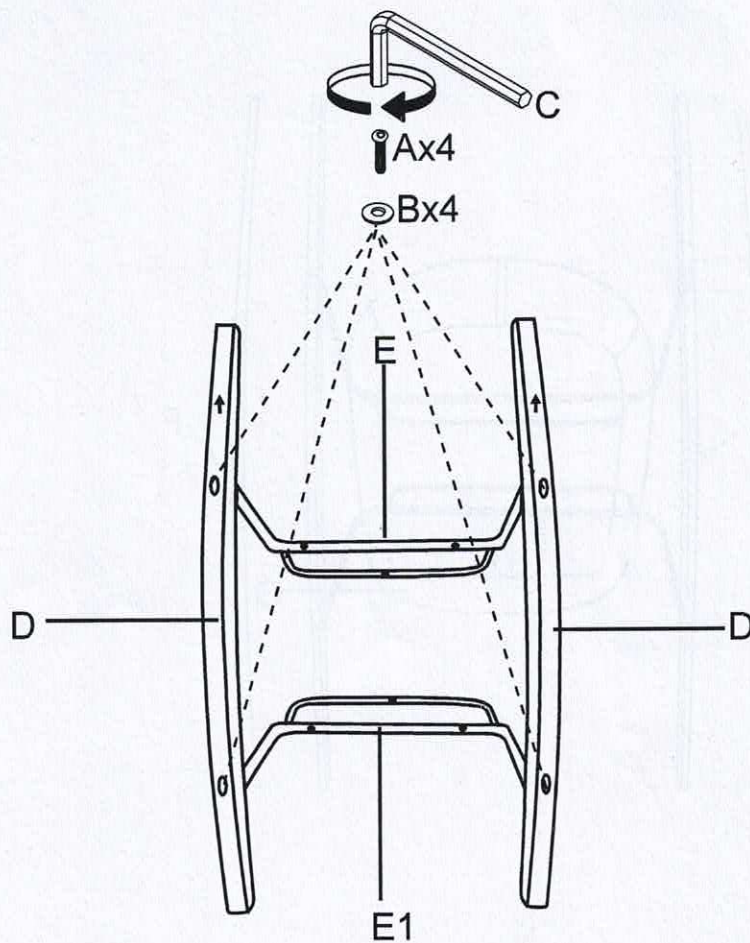
2x



G

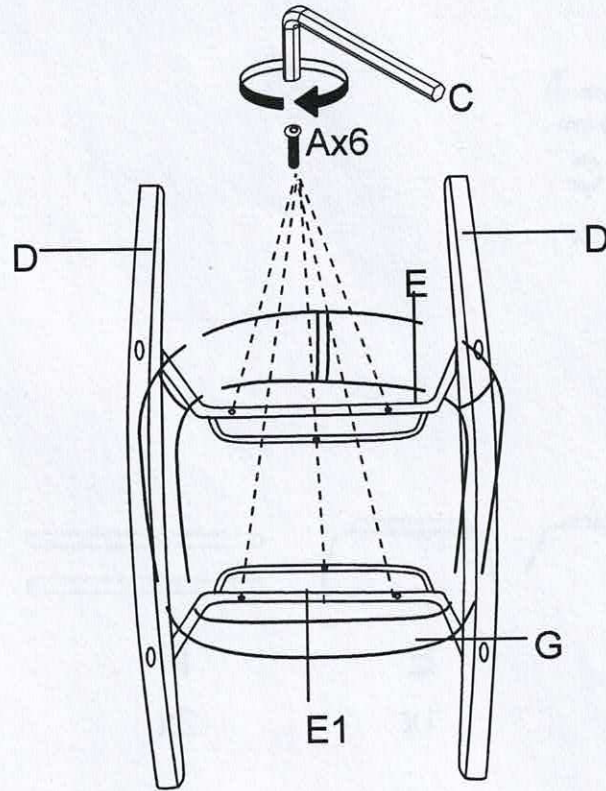
1x

Step 1

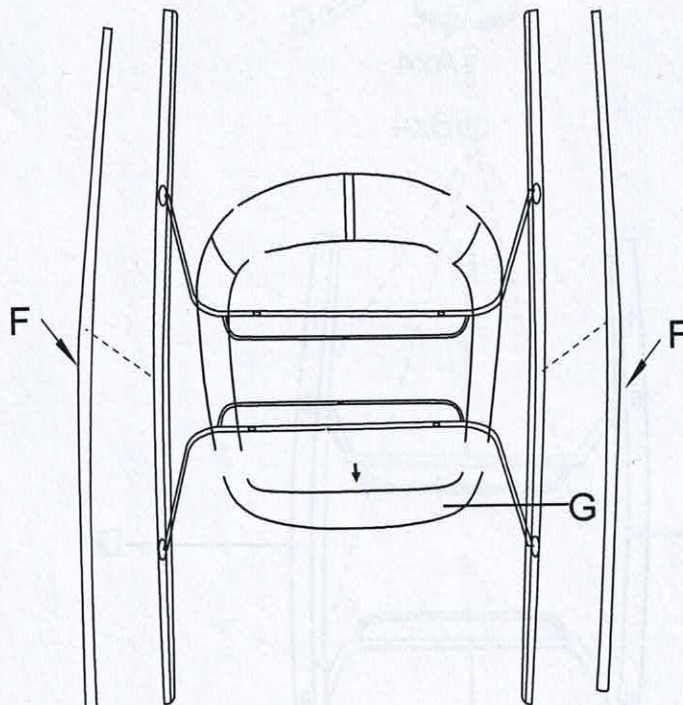


NICK ROCKING CHAIR

Step 2



Step 3



NICK ROCKING CHAIR

Step 4

