

# FLOWER-ACCENT CHAIR

## Hardware



M6\*20mm

**A**

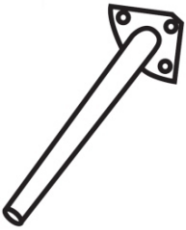
12x



**B**

1x

## Components



**C**

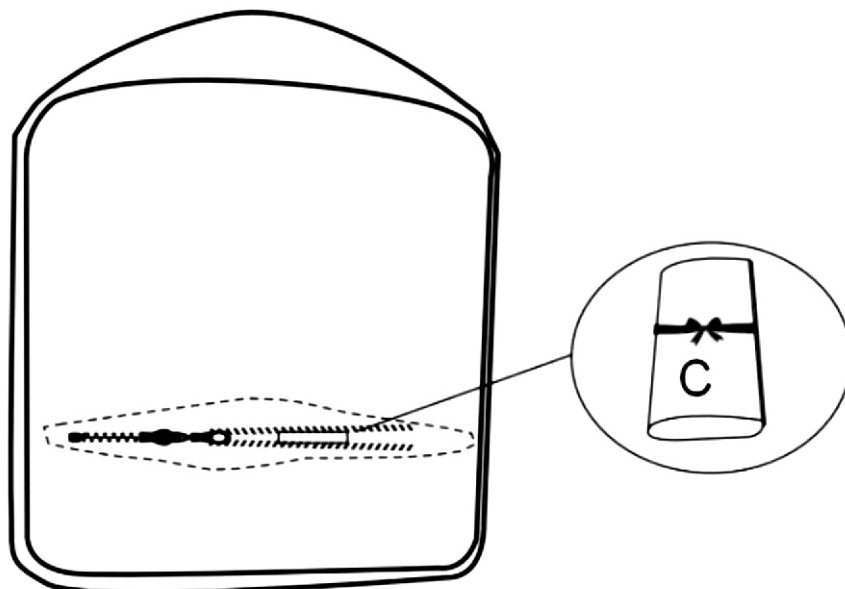
4X



**D**

1X

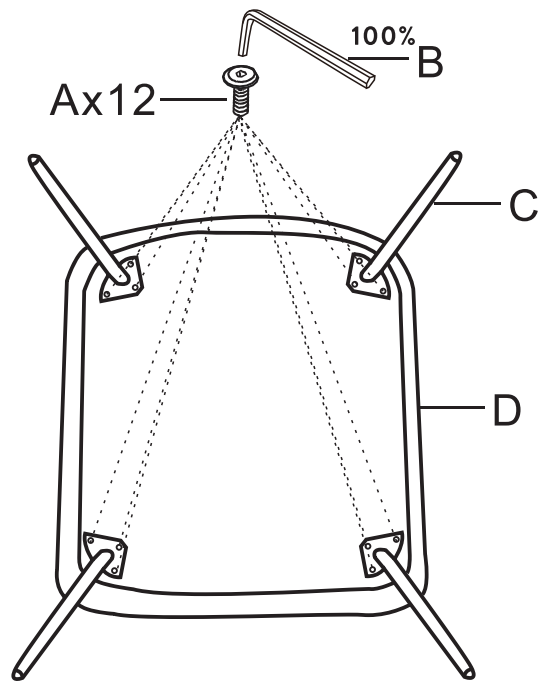
## Step 1



# FLOWER-ACCENT CHAIR

---

## Step 2



## Step 3

