

ASSEMBLY INSTRUCTIONS

LV44 TV 4412LUCO-FC-CLB



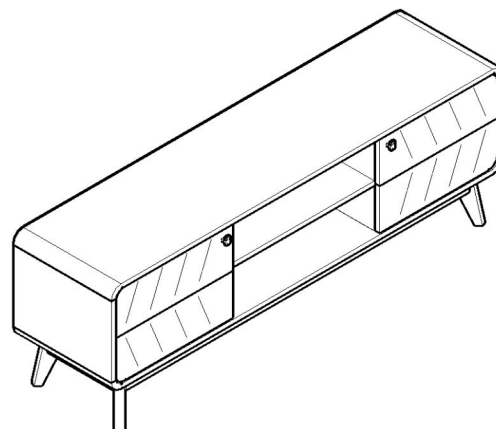
SCAN FOR VIDEO

Thank you for your purchase.

Before assembly, please read these instructions.

Please read all warnings.

Store this instruction manual for future reference.



Product Size	Approximately 400 Width x 1600 Length x 4304 Height (MM)		
Main Materials	Particle Board		
Weight Capacity	Top insert: About 30KG , Shelf insert: About 10KG , ※ These are measured figures, not guaranteed figures.		
Time To Assembly	About 60 Minutes	Update Date	18/3/2025

Assembly Warning

- Assembling with 2 or more people is recommended.
- Please assemble at a spacious and flat place
- Please place blankets or cardboard so floor or walls will not be scratched
- Please ventilate the area if there is a strong glue odor after opening the product
- Please follow assembly instructions
- Please have the below tools ready before assembling
 - Screwdriver, Scissors or Blade Box cutter, Rubber hammer, Drill

Hardware

Before assembly, inspect unit for missing parts. Be sure that children do not accidentally swallow these parts.

※ Same sized parts are in a bag. Please check the size of the screws.



A Minifix M5x24MM **16 Pcs**



B Minifix Casing **16 Pcs**



C Wood Dowel M8x30MM **12 Pcs**



D Allen Key **1 Pc**



E Iron Shelf Support **4 Pcs**



F Pvc Handle **2 Pcs**
Screw M4x28MM **2 Pcs**



G White Leg Pin **4 Pcs**



H Screw M4x28MM **4 Pcs**



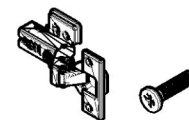
I Screw M7x50MM **10 Pcs**



J Screw M3.5x16MM **6 Pcs**

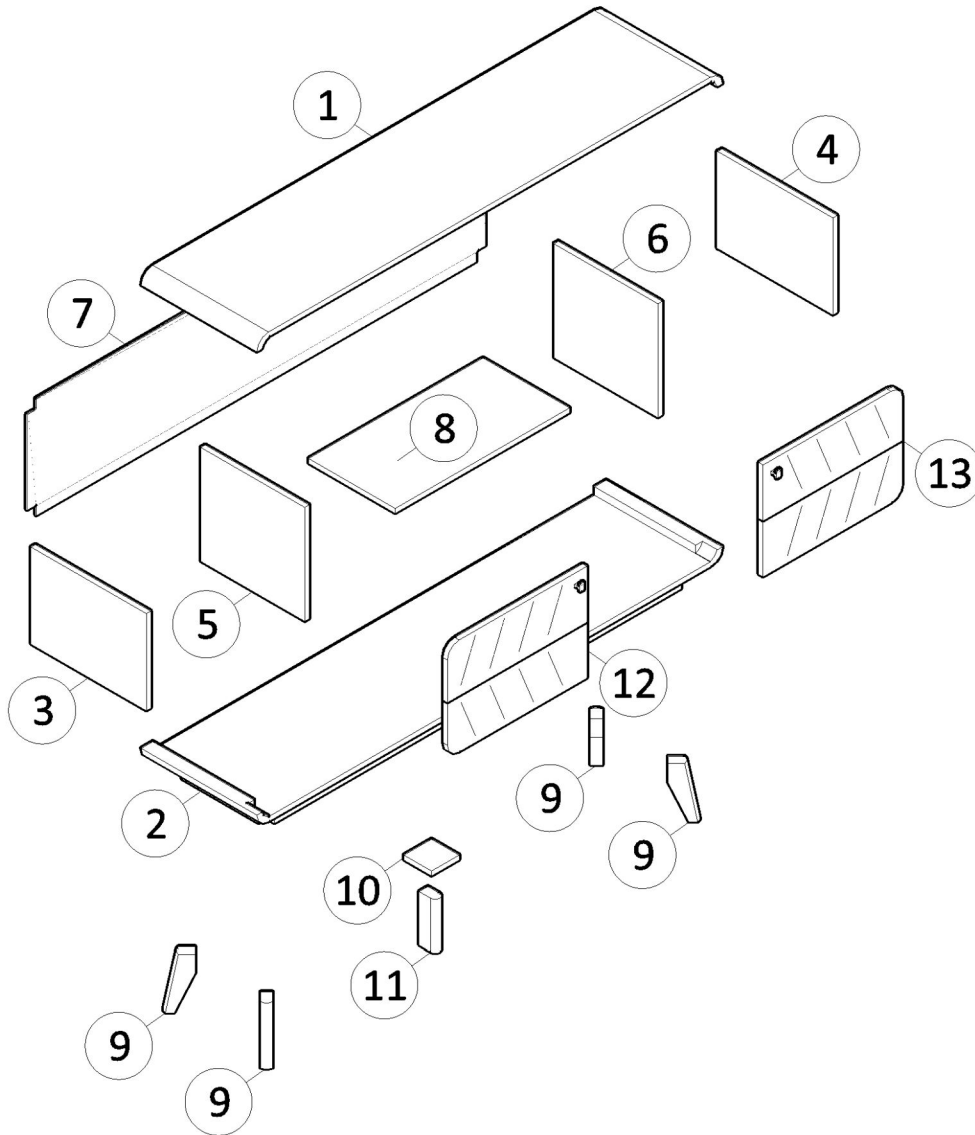


K Adjustable Leg-38 Screw M6x32MM **1 Pc**



SH 78 Hydraulic Hinges 7/8" **4 Pcs**
Screw M3.5x16MM **24 Pcs**

Parts



①	Top Panel	1 Pc
②	Bottom Panel	1 Pc
③	Side Panel (L)	1 Pc
④	Side Panel (R)	1 Pc
⑤	Center Panel (L)	1 Pc
⑥	Center Panel (R)	1 Pc
⑦	Back Mdf Board	1 Pc
⑧	Shelf Panel	1 Pc
⑨	Leg Panel	4 Pcs
⑩	Leg Support Panel (C)	1 Pc
⑪	Leg Panel (C)	1 Pc
⑫	Door Panel (L)	1 Pc
⑬	Door Panel (R)	1 Pc

Assembly Information

Assemble screws

1. Screw up to half point to make sure all spots are lined up

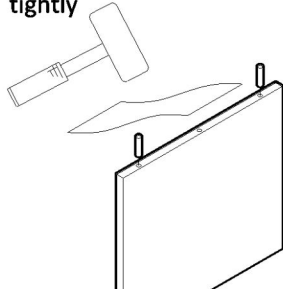


2. Tighten all screws

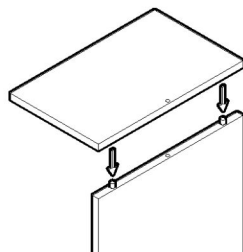


Assemble Wood Dowels

1. Insert dowels into holes tightly

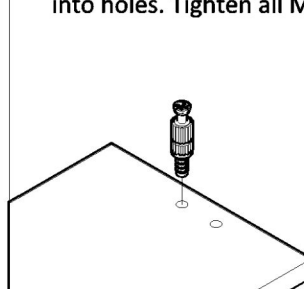


2. Attach the insert holes along with dowels

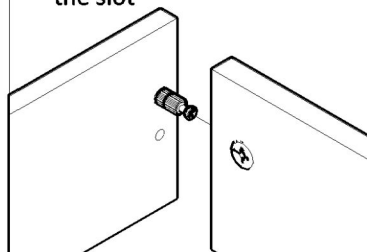


Assemble Minifix

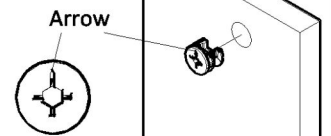
1. Screw Up Minifix M5X24MM into holes. Tighten all Minifix.



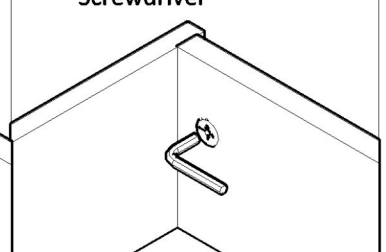
3. Insert Minifix M5X24mm and Minifix Casing together into the slot



2. Insert Minifix Casing into holes. Set the arrow of the screw up toward the nut slot.

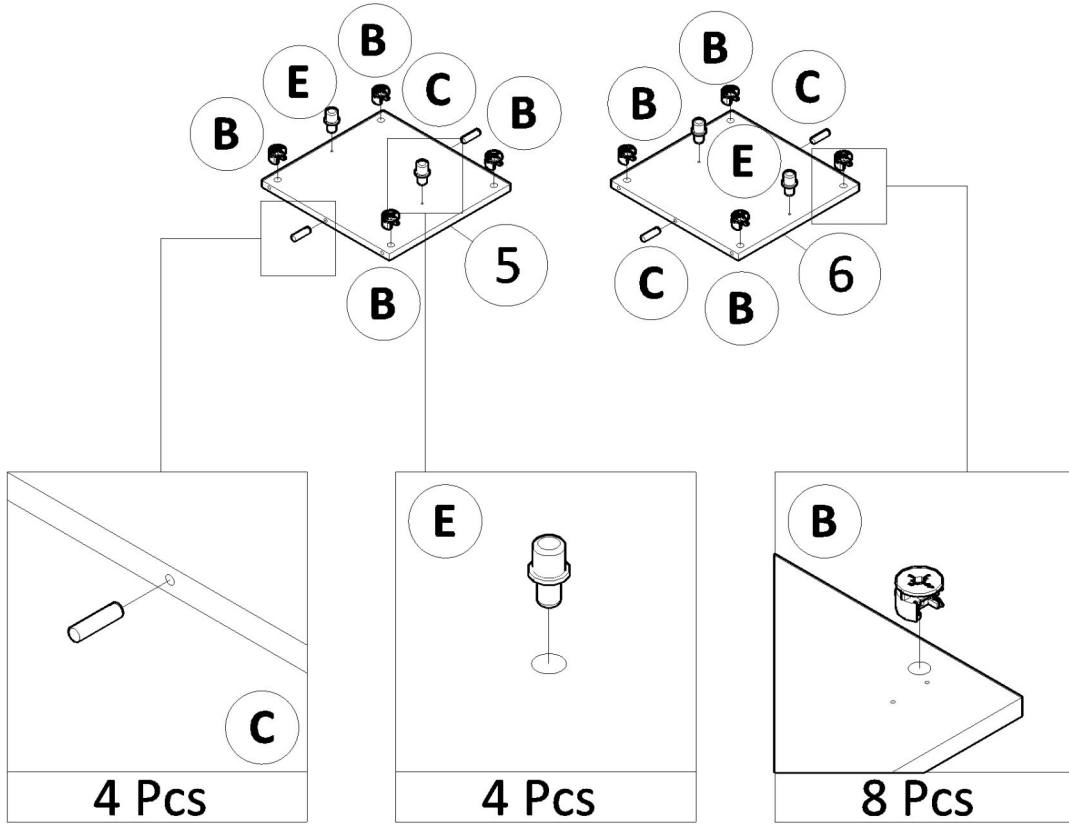


4. Tighten the cam lock screw
※Use Allen Key or Screwdriver

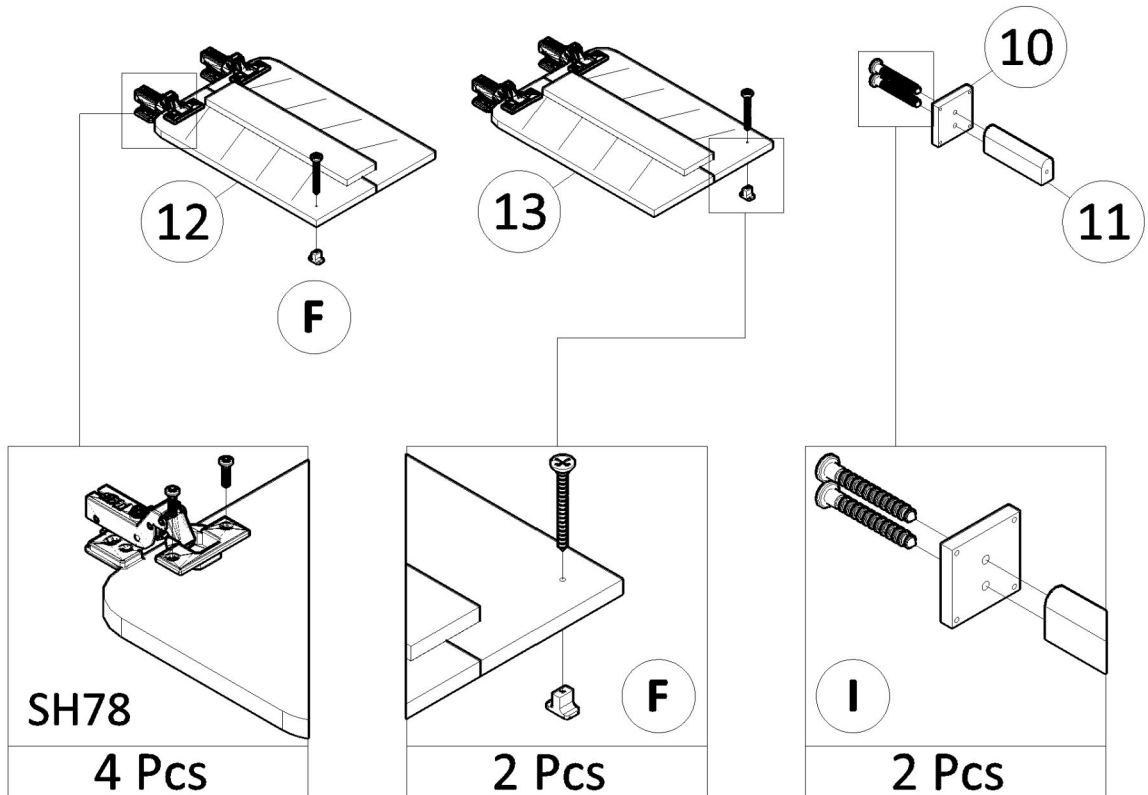


Assembly Step (Continue)

3

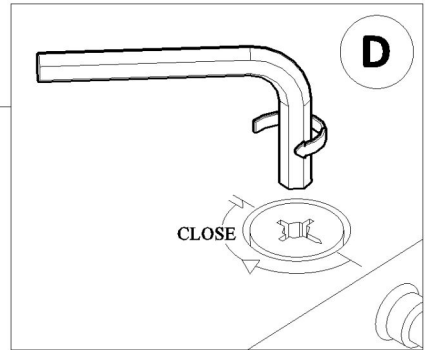
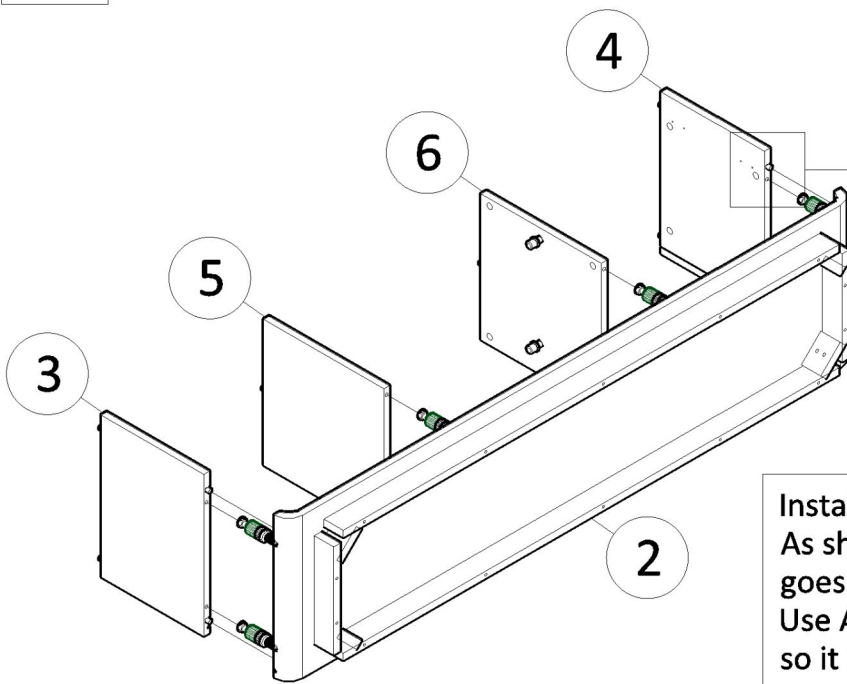


4



Assembly Step (Continue)

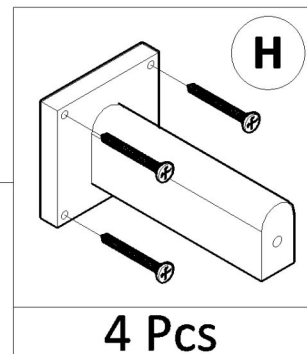
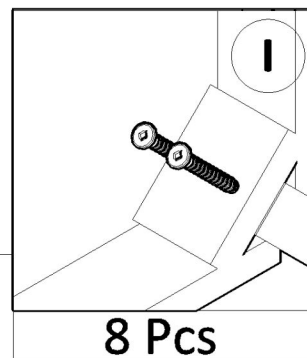
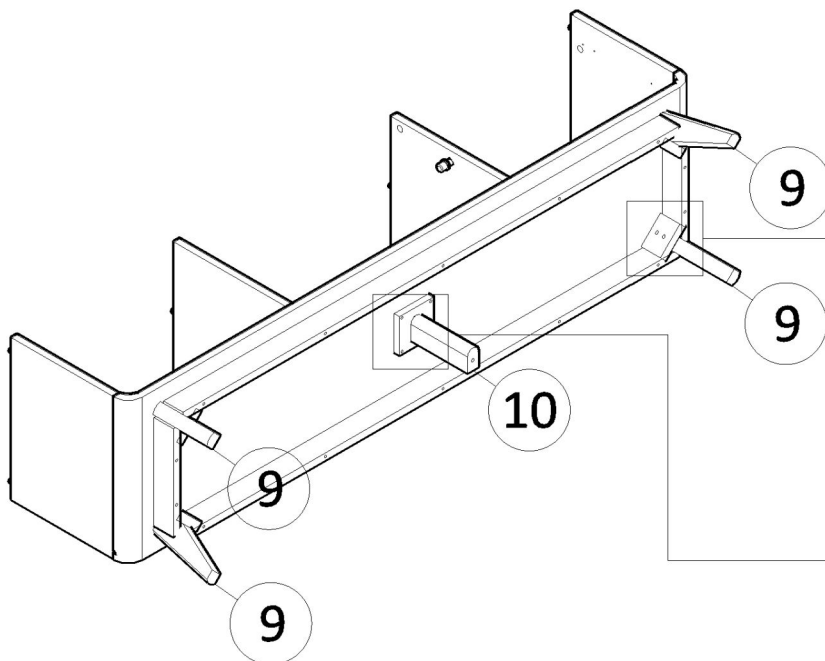
5



Installation:

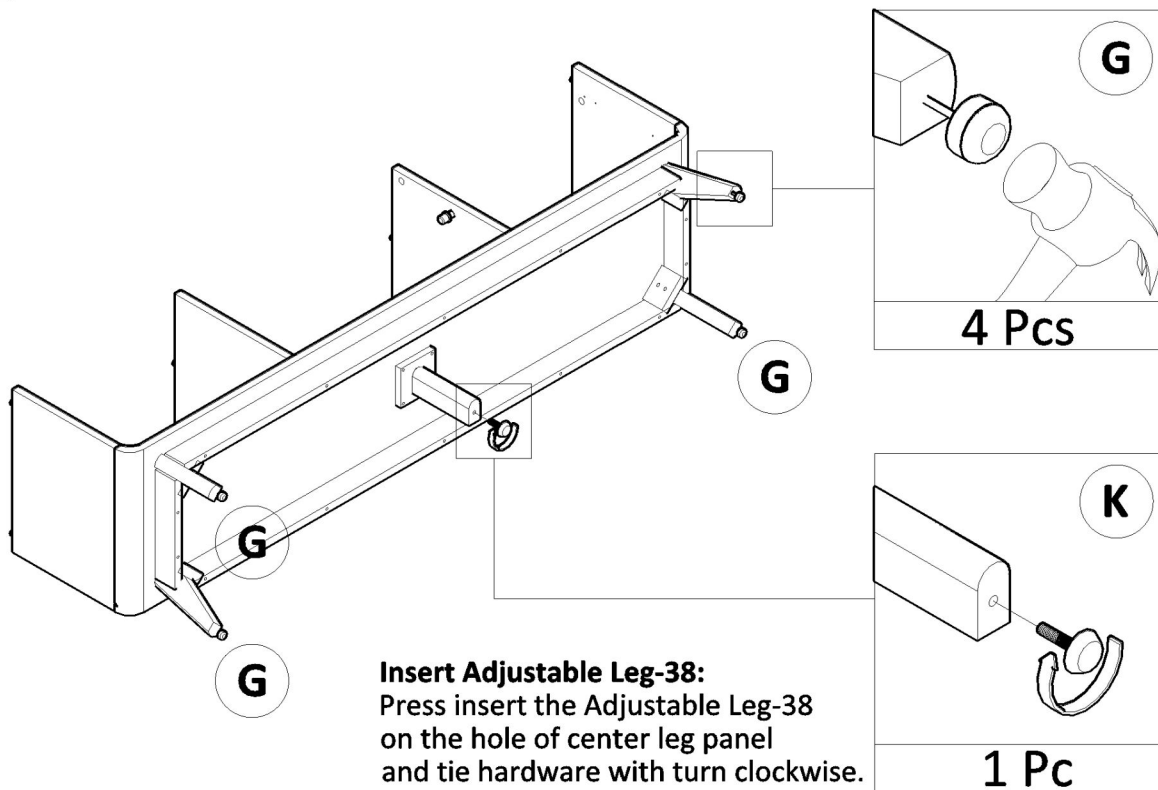
As shown, the head of minifix housing goes into the open mouth of the mini fix bolt. Use Allen Key then turn the minifix housing so it tightens over the mini fix bolt.

6

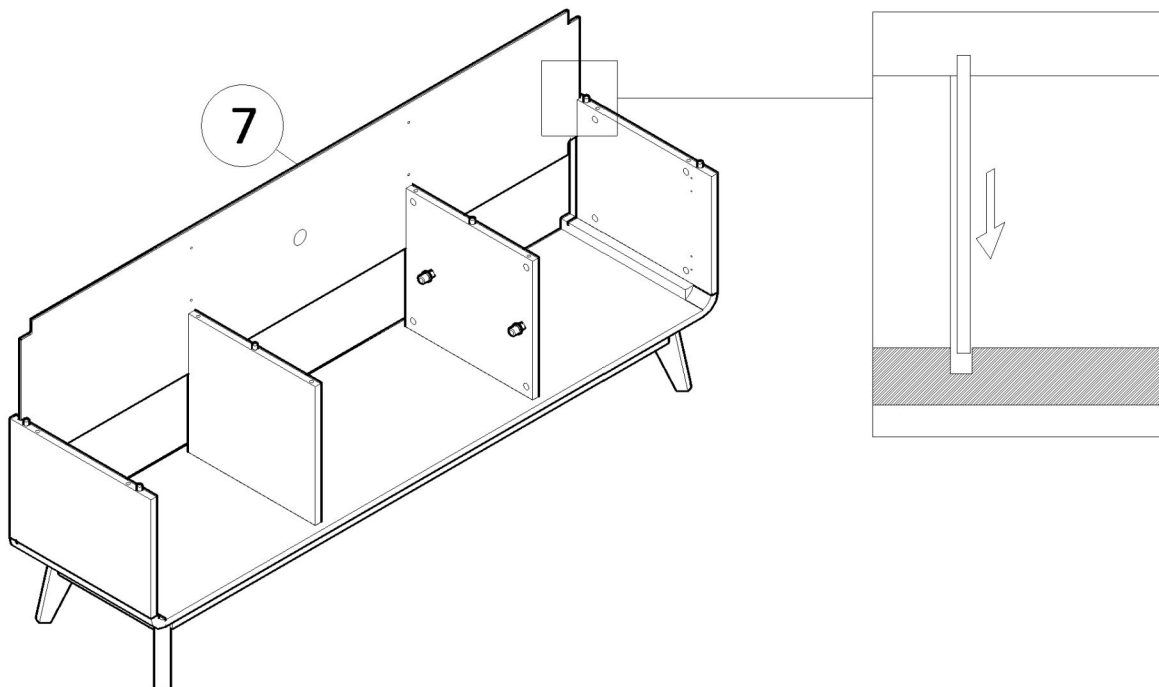


Assembly Step (Continue)

7

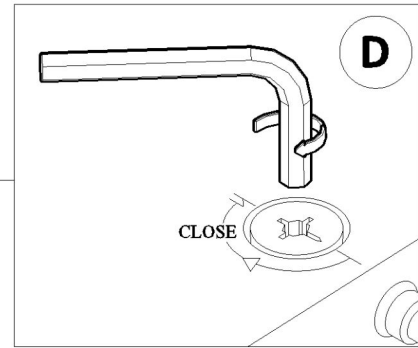
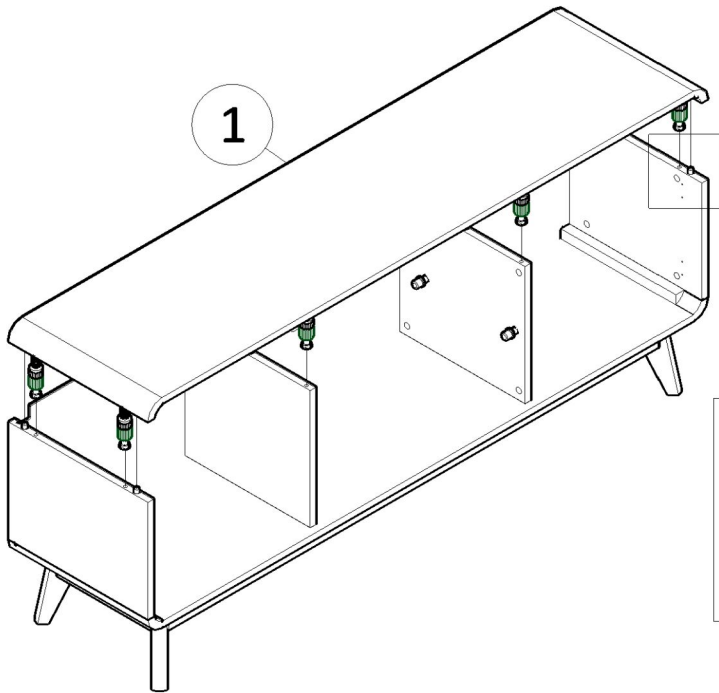


8



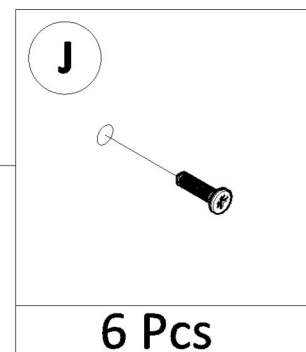
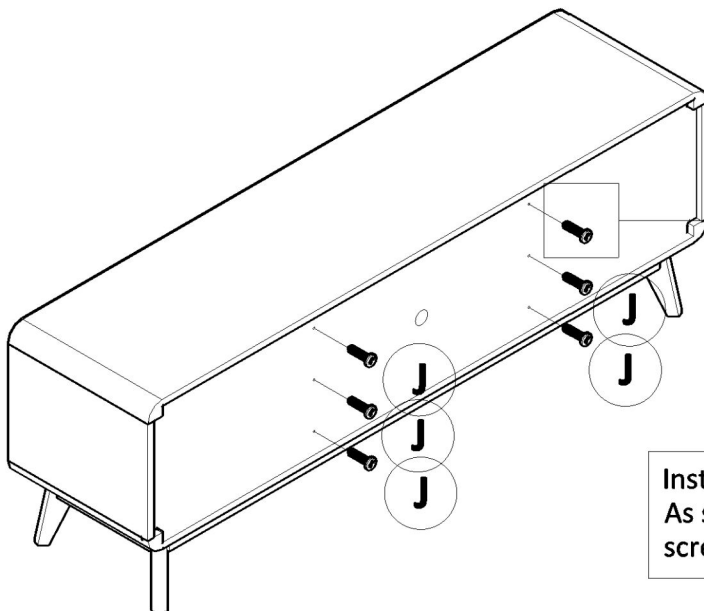
Assembly Step (Continue)

9



Installation:
As shown, the head of minifix housing goes into the open mouth of the mini fix bolt. Use Allen Key then turn the minifix housing so it tightens over the mini fix bolt.

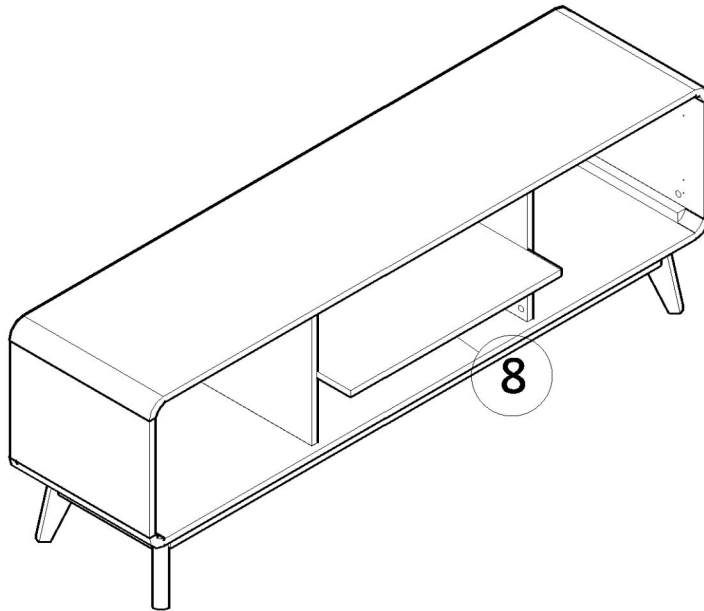
10



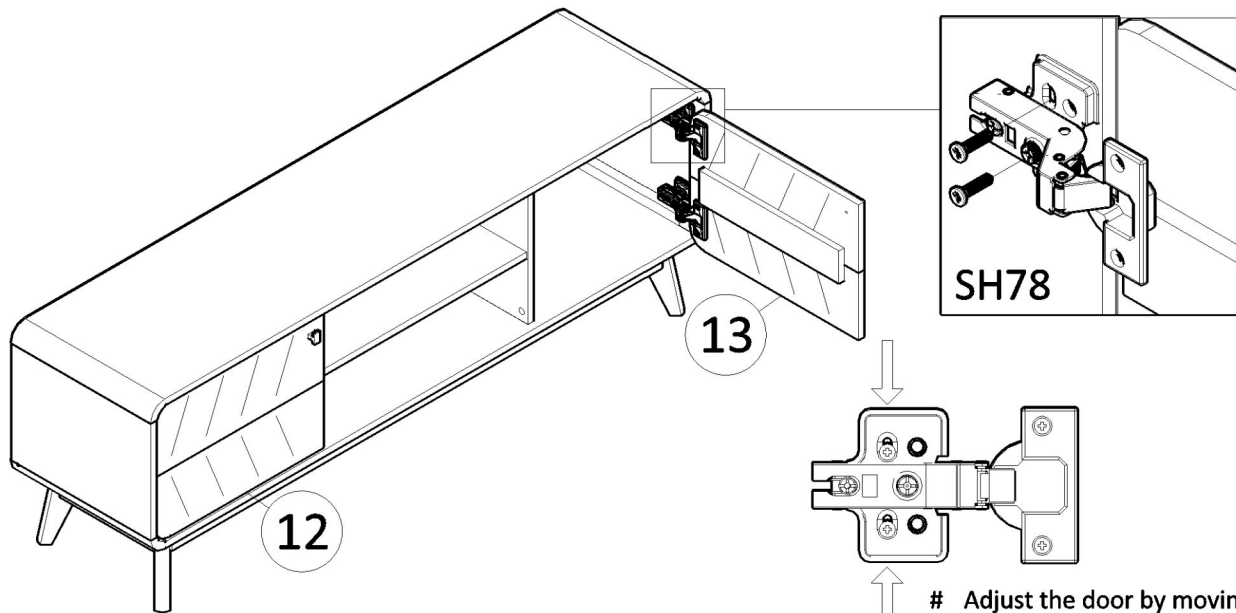
Installation:
As shown, use the screwdriver to make the screw goes into the hole until the screw is tight.

Assembly Step (Continue)

11



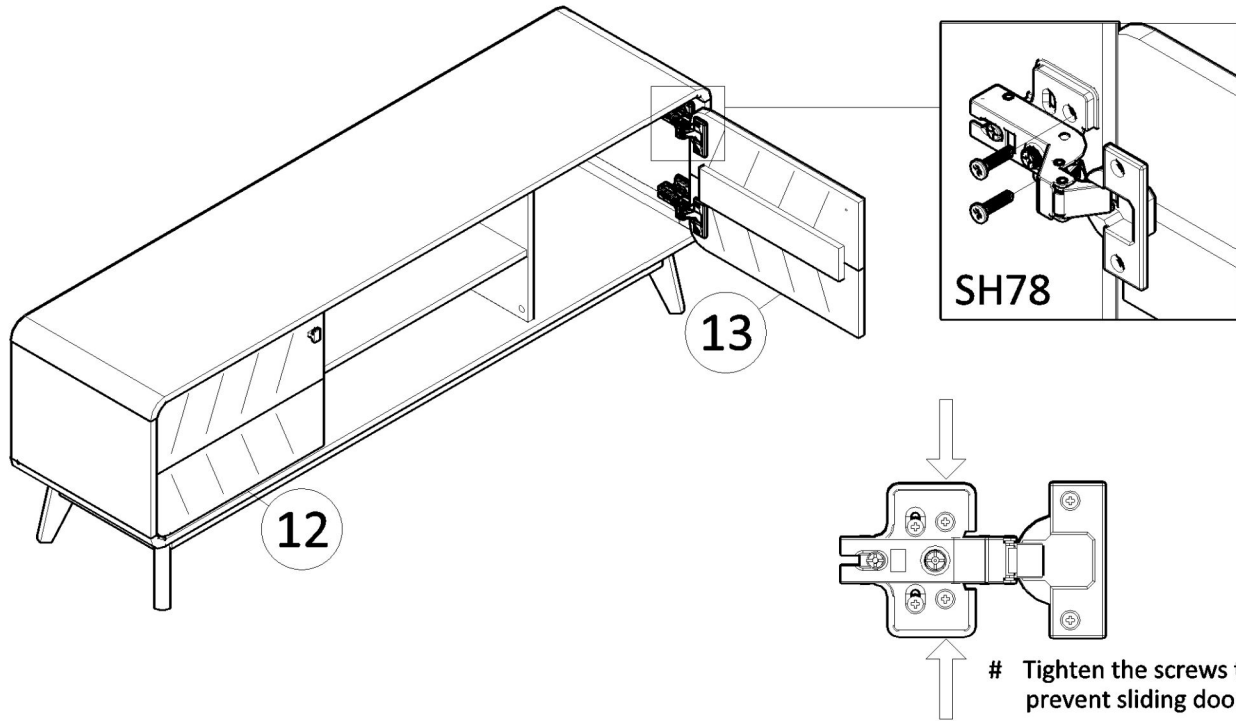
12



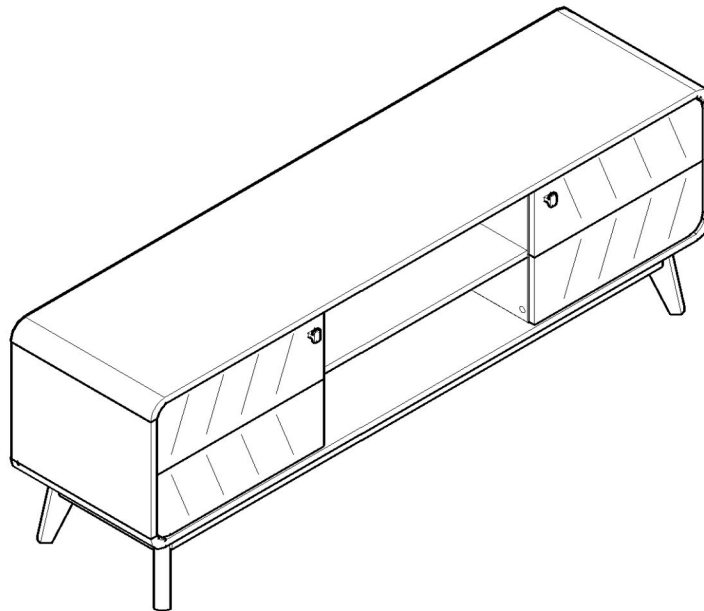
Adjust the door by moving it up and down or left and right then tighten the screws.

Assembly Step (Continue)

13



14 COMPLETED



Safety

Please read the below warnings before use.

Failure to follow these warnings could result in serious injury.



CAUTION !!!

Purpose

- Do not use this unit except for original application
- This unit is for household use. Do not use it for wholesale.
- This unit is for indoor use. Do not use it outside.

Assembly

- Assembling with 2 or more people is recommended
- Please assemble at a spacious and flat place
- Please place blankets or cardboard so floor or walls will not be scratched
- Please ventilate the area if there is strong glue odor after opening the product
- Please follow assembly instructions

Placing The Unit

- Store the unit on a flat surface.
- Place a mat under the unit if you place it on wood floors for floor protection
- Do not place the unit in areas where conditions are extreme, such as direct sun or a humid place
- Do not place the unit in a hot or humid area, such as near the heater or fireplace

Usage

- Please check your surroundings when you use this unit
- Do not place any hot or wet objects on the unit
- Remove all objects on the unit when you move it
- Do not leave water or wet objects on the surface.
- Do not use it for toys
- Do not stand on it or use it for a step stool.
- Do not overload only the top drawers. Load the same amount to help prevent tipping of the unit.
- Do not leave drawers open or put pressure on opened drawers to help prevent falling or wrecking.
- Do not stand or put pressure on opened drawers.
- Colors could fade
- Please open drawers slowly
- Make sure you do not catch your finger when you use the drawer.
- Weight Capacity Top insert: About **30KG** , Shelf insert: About **10KG**,
※ These are measured figures, not guaranteed figures

Cleaning

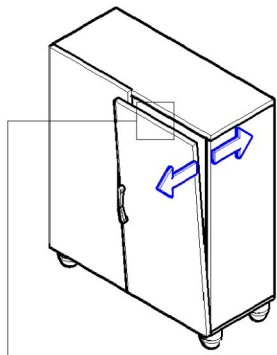
- Please check all assembled parts are tight regularly. (About once a month)
- Use dry soft cloths for dust and spots
- For heavy spots, use clothes with neutral detergent then dry in a well ventilated area.
- Do not use if any parts are broken.
- Please recycle the unit or its package depending on your city rules.



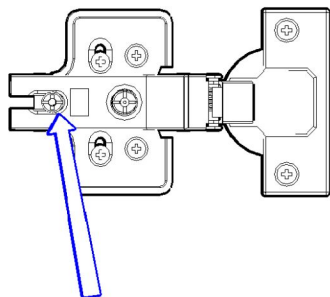
HOW TO ADJUST GLASS/DOORS

- There is a gap between the door and the shelf with doors closed

Loosen the back adjustable screw which is one of the two screws looking from the front while supporting the doors, adjust the door by moving it back and forth, then tighten the back screw.



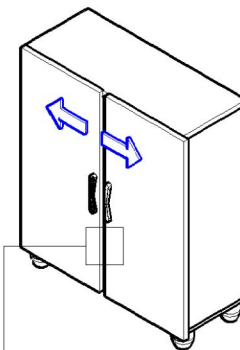
If there is a gap between the doors on the top.



Loosen this screw, adjust by moving back and forth

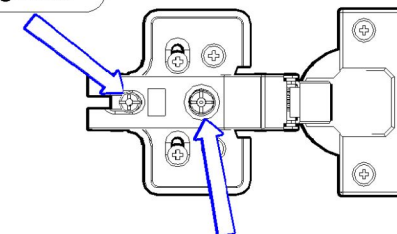
- There is a gap in the middle with doors closed

Loosen the ① back adjustable screw which is one of the two screws looking from the front while supporting the doors, tighten the ② screw clockwise, then adjust the middle gap. After adjusted, tighten the ① screw.



If the gap is wide

① Fixing screw



② Adjusting screw
(If you twist clockwise once, the door moves about 2mm inward)

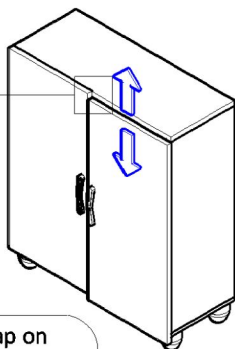
- There is a gap on the top of the door when doors are closed

(Glass slide hinge does not require this step)

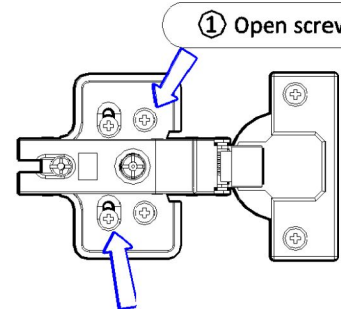
(4 screw hole hinge does not require ①)

Loosen the slide hinge screw while supporting the door, adjust the door by moving it up and down then tighten the screws.

(Please loosen the slide hinge screws of the door completely you are adjusting before moving it up and down.)



If there is a gap on the top of the door



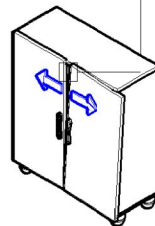
① Open screw

② Slide hinge screws (Please loosen these screws before adjusting)

- There is a V gap when doors are closed

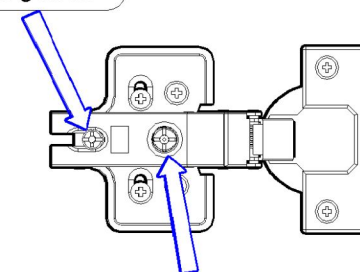
Loosen the ① back adjustable screw which is one of the two screws looking from the front while supporting the doors, tighten the ② screw clockwise, then adjust the middle gap. After adjusted, tighten the ① screw.

If there is a gap between the doors on the top
(Please adjust slide hinge the top part door)



If there is a gap between the doors on the bottom
(Please adjust slide hinge the bottom part door)

① Fixing screw



② Adjusting screw
(If you twist clockwise once, the door moves about 2mm inward)

WALL FIXING GUIDE

NOTE: Supplied wall plugs are only suitable for use in masonry walls.

If you have any doubts about using the correct plug for your wall, please seek professional advice. Failure of the product due to using the incorrect fixings is the responsibility of the installer.



IMPORTANT:

When drilling into walls, always check for hidden wires or pipes, etc.



Tips & Tricks

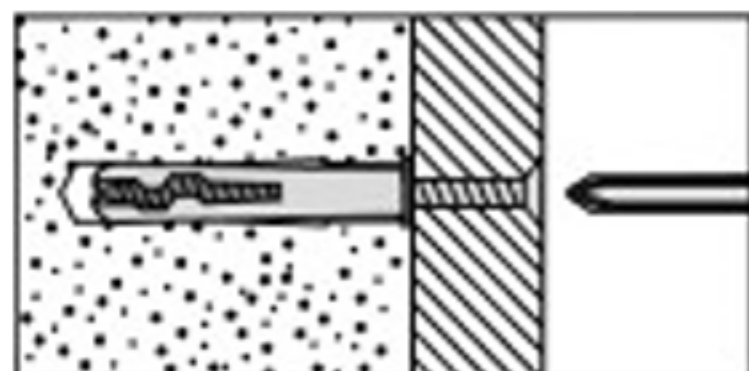
Make sure that the hardware used is suitable for supporting your unit.

Please consult a qualified tradesperson if unsure.

- ✓ If you are unsure, please select a larger screw and wall plug.
- ✓ Ensure that you use the recommended drill bit to match the wall plug and hole size.
- ✓ Take extra care when drilling high walls, ceiling and ceramic tiles. Ensure wall plugs are inserted beyond the thickness of the ceramic tiles to avoid splitting or cracking.
- ✓ Ensure that wall plugs are well fitted and are a tight fit in the drilled hole.

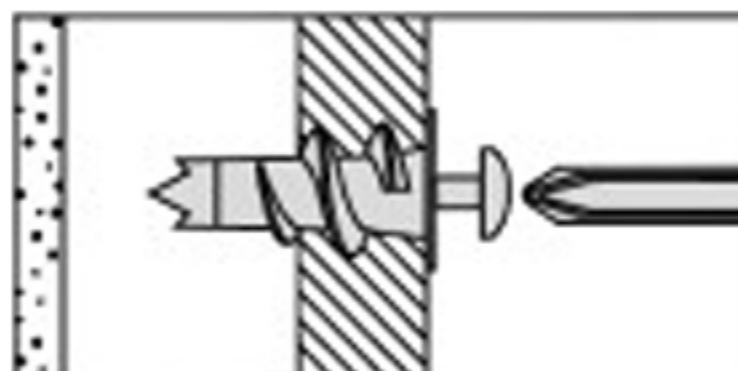
Types of Walls

Use one of the following types of wall plug (not included) if your walls are made of brick, breeze block, concrete, stone or wood. Screws may be able to be fixed directly to solid wood walls as they will provide a secure anchor point.



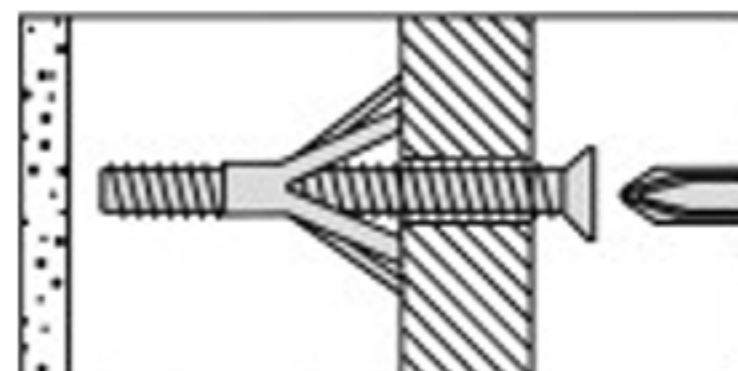
1. General Purpose Wall Plug

Generally, aerated blocks should not be used to support heavy loads, use a specialist fitting in this case. For light loads, general purpose wall plugs can be used.



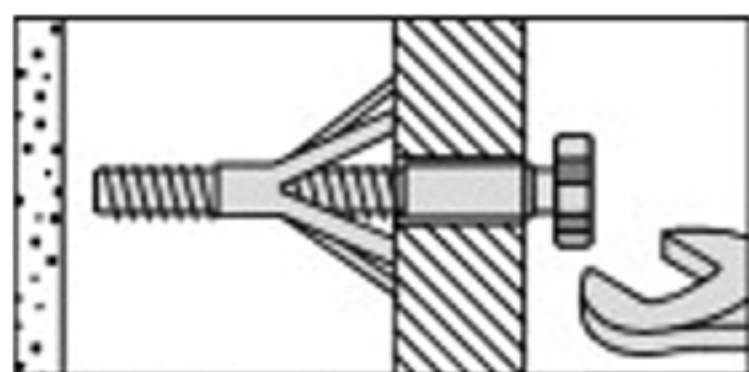
2. Plasterboard Wall Plug

For use when attaching light loads onto plasterboard partitions.



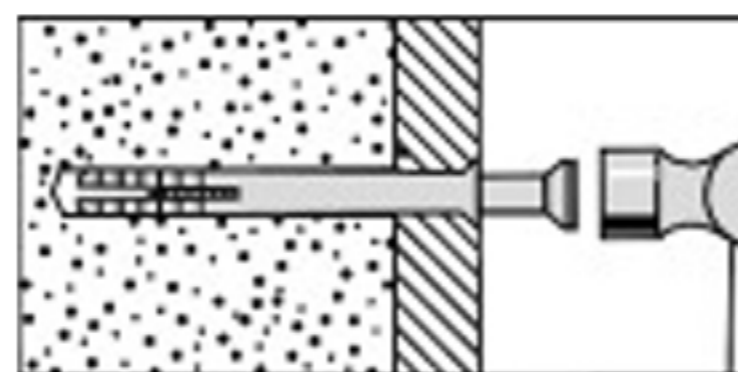
3. Cavity Fixing Wall Plug

For use with plasterboard partitions or hollow wooden doors.



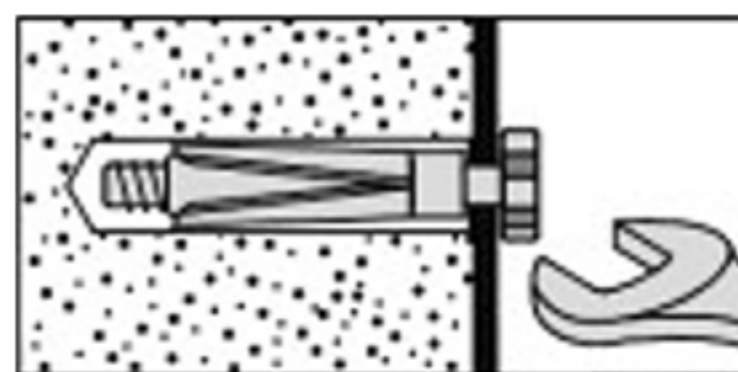
4. Cavity Fixing Heavy Duty Wall Plug

For use when fitting or supporting heavy loads such as shelving and wall cabinets.



5. Hammer Fixing Wall Plug

For use with concrete block or brick walls, or walls stuck with plasterboard. The hammer fixing allows it to be fixed to the wall rather than the plasterboard. Always check the fixing is secure to the retaining wall.



6. Shield Anchor Wall Plug Heavy Loads

For use with concrete or brick walls, or for use with heavier loads such as TV & WIFI speakers and satellite dishes, etc.

TIPS BEFORE YOU START

WARNING - TOPPLING FURNITURE

Any furniture that is not anchored to a wall has the potential to tip over in certain circumstances, i.e. if a child attempts to stand or climb onto the furniture or in the event of an earthquake. As such, we highly recommend that all furniture is anchored to a wall. A free wall anchor is supplied to all furniture that can tip over and we recommend using them to prevent your product from tipping over. While the fixing device and the wall fixing guide provided should apply to most types of walls, please do note that different wall materials may require different fixing devices from the ones we supplied.

⚠ CHILDREN HAVE DIED FROM FURNITURE TOPPLING OVER.

NEVER allow children to stand, climb or hang on drawers, doors, or shelves.

ALWAYS secure your television with an anchor device.

For more information, visit <https://www.productsafety.gov.au>

⚠ WARNING	
	
<p>Children have died from furniture tipover.</p> <ul style="list-style-type: none">• NEVER allow children to stand, climb or hang on drawers, doors, or shelves.• ALWAYS secure your television with an anchor device. <p>This is a permanent label. Do not remove!</p>	