

ASSEMBLY INSTRUCTIONS



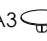










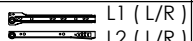
PAGE: 1/6

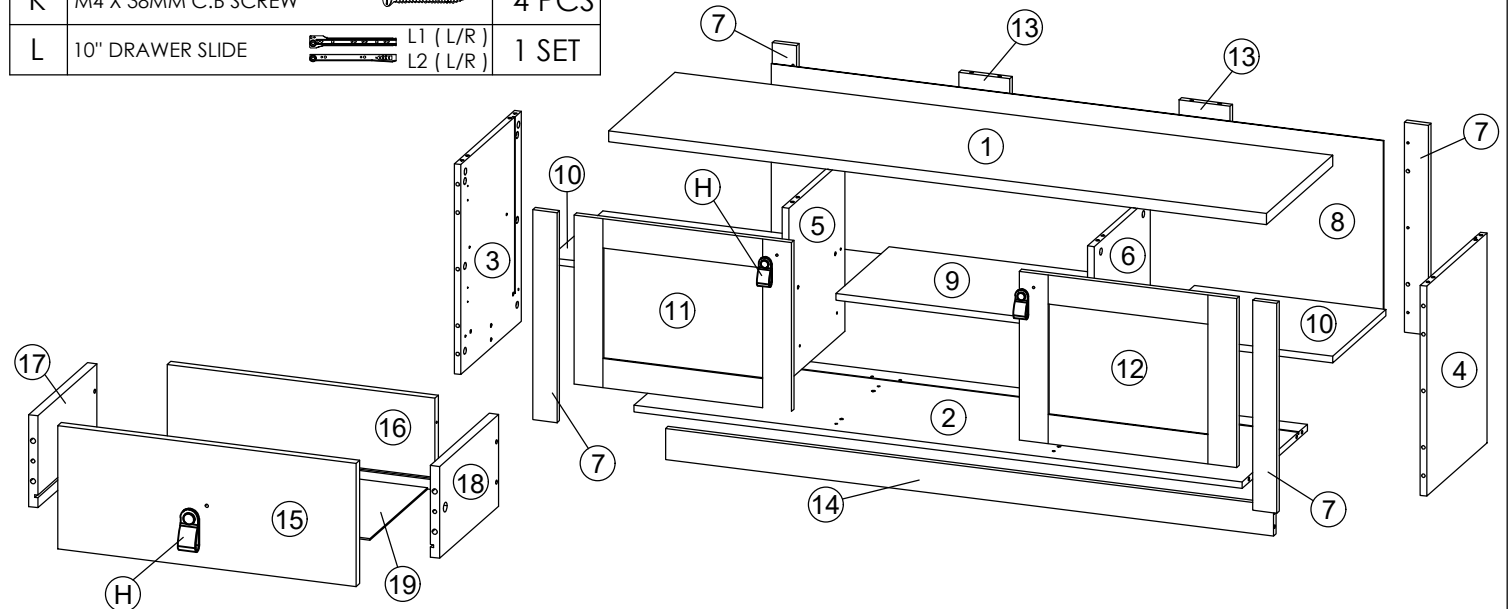
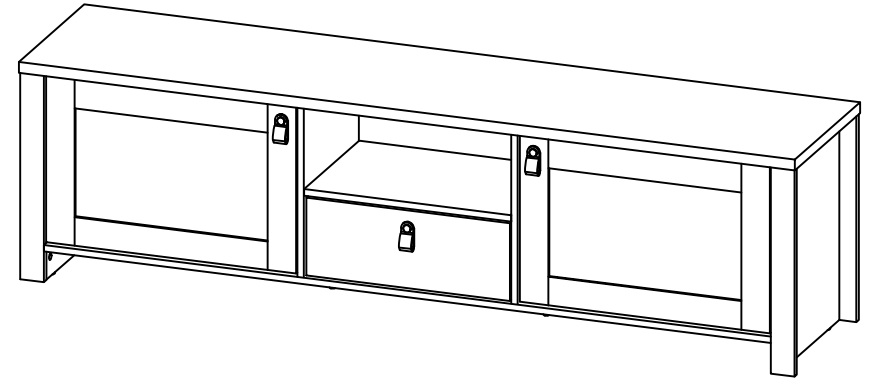
MODEL : ECHO TV UNIT

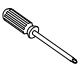

Before you begin, please follow assembly instructions carefully, then follow them step by step.

Read instruction carefully . See Furniture Parts list and Hardware List for guidance . Be sure you have all parts before you start assembling . Place and assemble furniture on a clean flat soft surface , such as carpet or rug to prevent being scratched .

| PART LIST | | QTY |
|-----------|-------------------|-------|
| 1 | TOP PANEL | 1 PC |
| 2 | BOTTOM PANEL | 1 PC |
| 3 | SIDE PANEL (L) | 1 PC |
| 4 | SIDE PANEL (R) | 1 PC |
| 5 | CENTER PANEL (L) | 1 PC |
| 6 | CENTER PANEL (R) | 1 PC |
| 7 | BONE PANEL | 4 PCS |
| 8 | BACK PANEL | 1 PC |
| 9 | MIDDLE PANEL | 1 PC |
| 10 | SHELF PANEL (L/R) | 2 PCS |
| 11 | DOOR PANEL (L) | 1 PC |
| 12 | DOOR PANEL (R) | 1 PC |
| 13 | BACK BONE | 2 PCS |
| 14 | LEG PANEL | 1 PC |
| 15 | DRAWER FRONT | 1 PC |
| 16 | DRAWER BACK | 1 PC |
| 17 | DRAWER SIDE (L) | 1 PC |
| 18 | DRAWER SIDE (R) | 1 PC |
| 19 | DRAWER BOTTOM | 1 PC |

| HARDWARE | | | |
|----------|------------------------------|-------------------------------------------------------------------------------------------------------------------------------------------------------------------------------------------------------------------------------------------------------------------|---------|
| A | MINI FIX | A1  A2  A3  | 35 SETS |
| B | M8 X 30MM WOOD DOWEL |  | 36 PCS |
| C | M6 X 50MM CSK CAP WOOD SCREW |  | 8 PCS |
| D | ALLEN KEY M4 |  | 1 PC |
| E | M3.5 X 16MM C.B SCREW |  | 36 PCS |
| F | SOFT CLOSING 7/8 HINGES |  | 4 PCS |
| G | METAL SHELF SUPPORT |  | 8 PCS |
| H | HANDLE C6658 (BROWN) |  | 3 PCS |
| I | HANDLE SCREW M4 x 16MM |  | 3 PCS |
| J | PVC NAIL LEG 5/8" WITH PIN |  | 6 PCS |
| K | M4 X 38MM C.B SCREW |  | 4 PCS |
| L | 10" DRAWER SLIDE |  L1 (L/R) L2 (L/R) | 1 SET |



| | |
|-------------------------------------------------------------------------------------------------|--------------------------------------------------------------------------------------------|
| SELF-PREPARED TOOLS: Tools below are NOT included in package. | |
|  SCREWDRIVER |  HAMMER |

Reminder:

Please ensure that all surfaces and edges with colours/laminations are facing forward/outward.

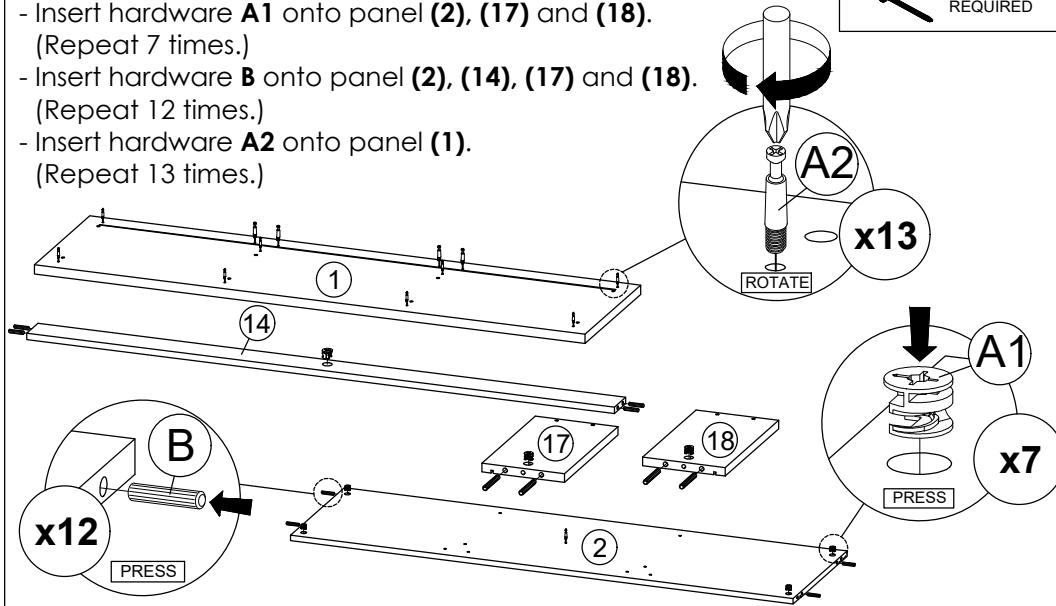
ASSEMBLY INSTRUCTIONS

PAGE: 2/6

MODEL : ECHO TV UNIT

STEP 1

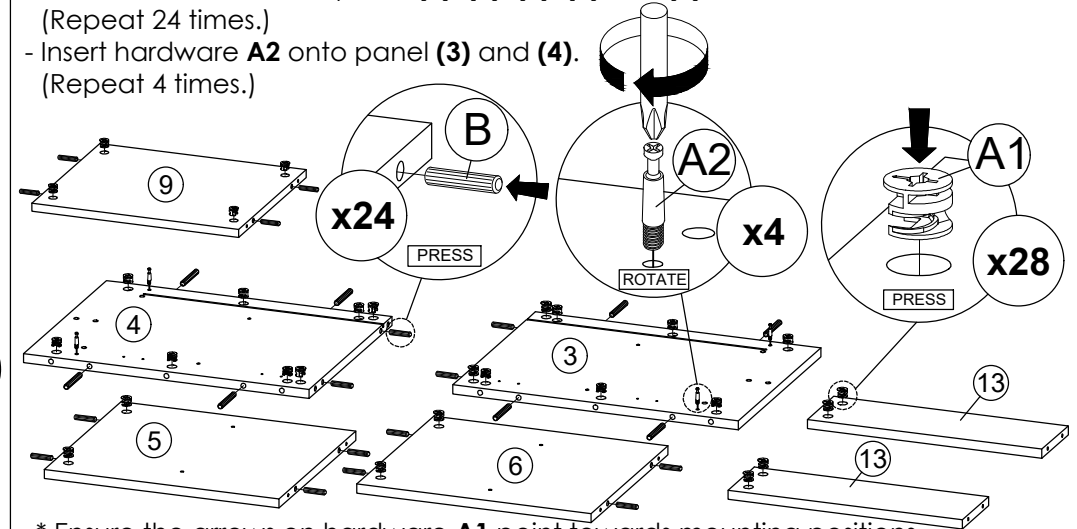
- Insert hardware **A1** onto panel **(2)**, **(17)** and **(18)**.
(Repeat 7 times.)
- Insert hardware **B** onto panel **(2)**, **(14)**, **(17)** and **(18)**.
(Repeat 12 times.)
- Insert hardware **A2** onto panel **(1)**.
(Repeat 13 times.)



* Ensure the arrows on hardware **A1** point towards mounting positions.

STEP 2

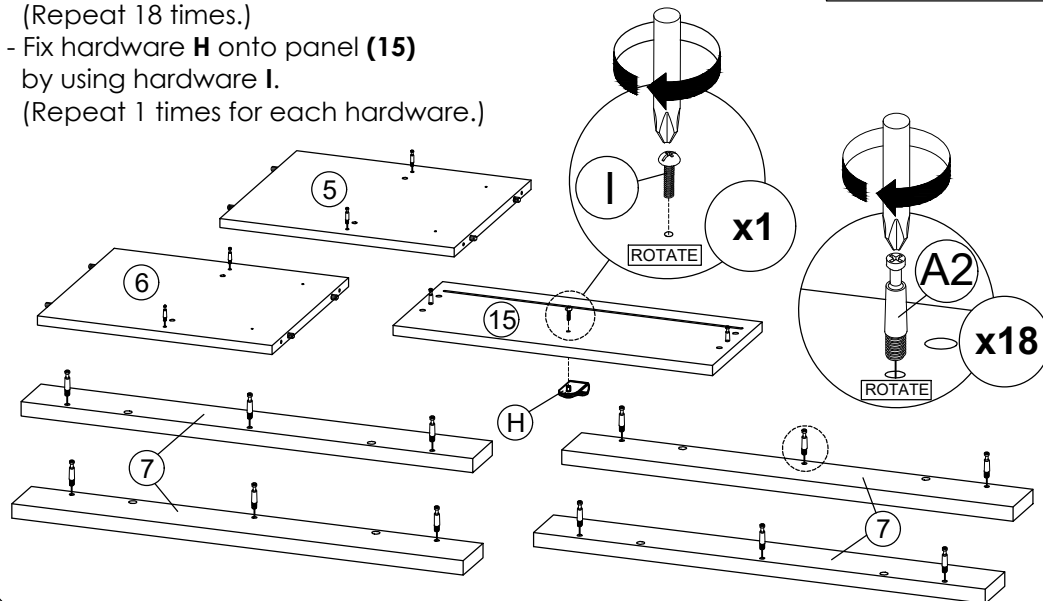
- Insert hardware **A1** onto panel **(3)**, **(4)**, **(5)**, **(6)**, **(9)** and **(13)**.
(Repeat 28 times.)
- Insert hardware **B** onto panel **(3)**, **(4)**, **(5)**, **(6)** and **(9)**.
(Repeat 24 times.)
- Insert hardware **A2** onto panel **(3)** and **(4)**.
(Repeat 4 times.)



* Ensure the arrows on hardware **A1** point towards mounting positions.

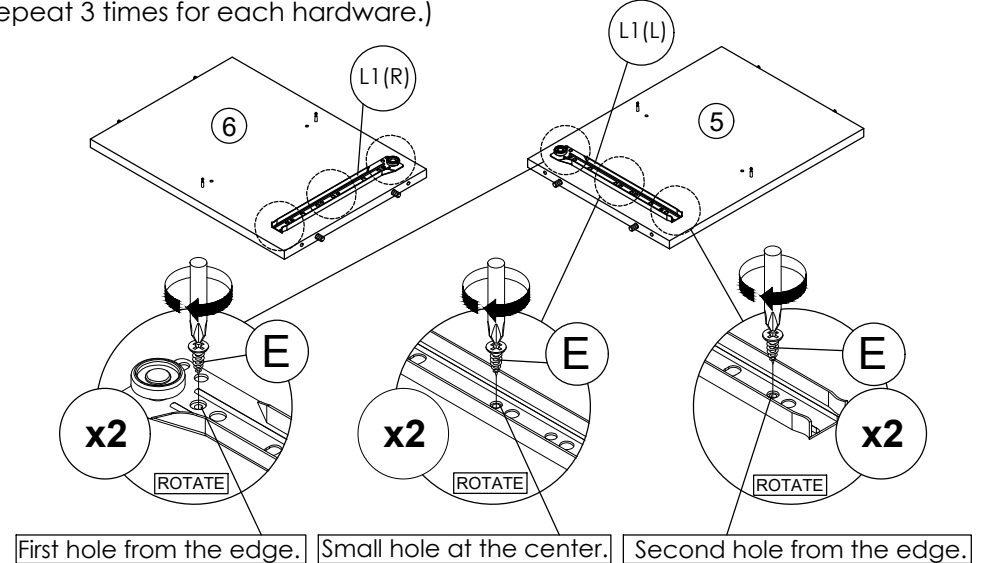
STEP 3

- Insert hardware **A2** onto panel **(5)**, **(6)**, **(7)** and **(15)**.
(Repeat 18 times.)
- Fix hardware **H** onto panel **(15)**
by using hardware **I**.
(Repeat 1 times for each hardware.)



STEP 4

- Fix hardware **L1 (L)** into panel **(5)** with hardware **E**.
- Fix hardware **L1 (R)** into panel **(6)** with hardware **E**.
(Repeat 3 times for each hardware.)



First hole from the edge.

Small hole at the center.

Second hole from the edge.

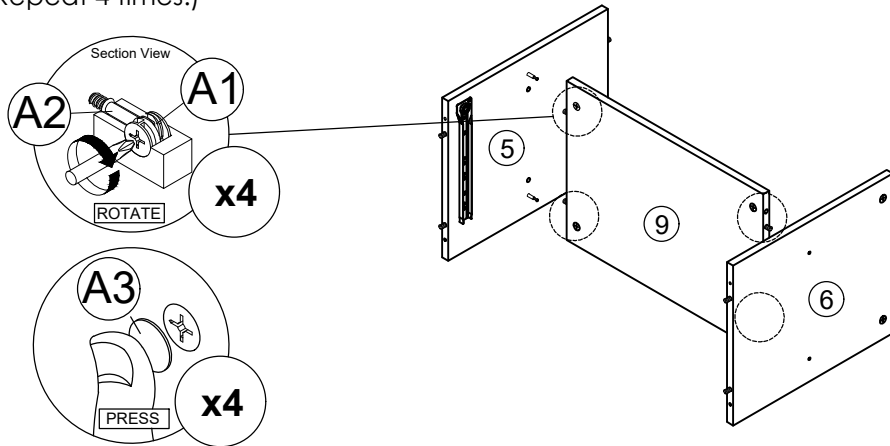
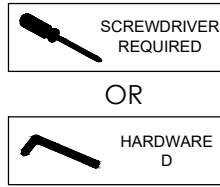
ASSEMBLY INSTRUCTIONS

PAGE: 3/6

MODEL : ECHO TV UNIT

STEP 5

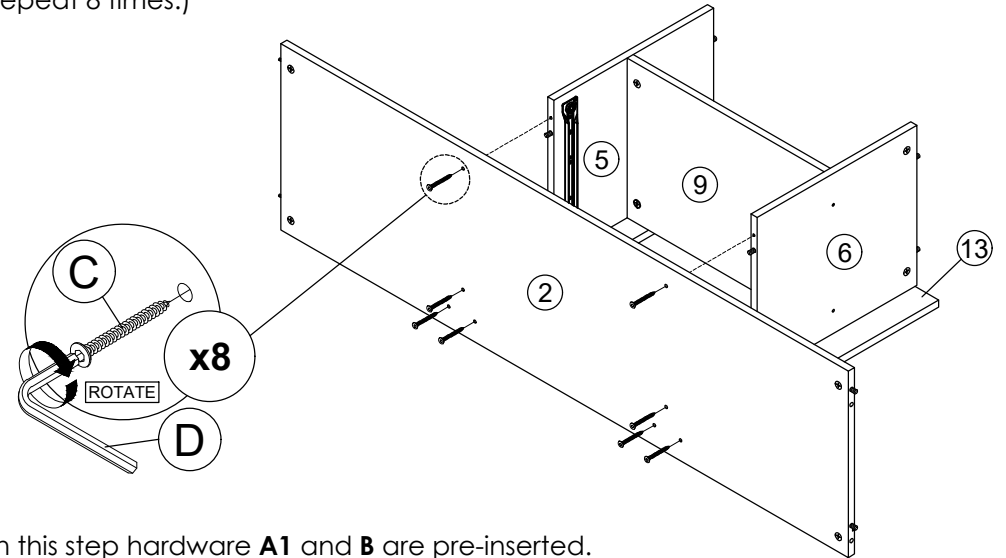
- Attach panel (9) to panel (5) and (6).
 - Insert all hardware **A2** into **A1**.
 - Rotate all **A1** until tight.
 - Apply **A3** onto all **A1**.
- (Repeat 4 times.)



* In this step hardware **A1**, **A2** and **B** are pre-inserted.

STEP 6

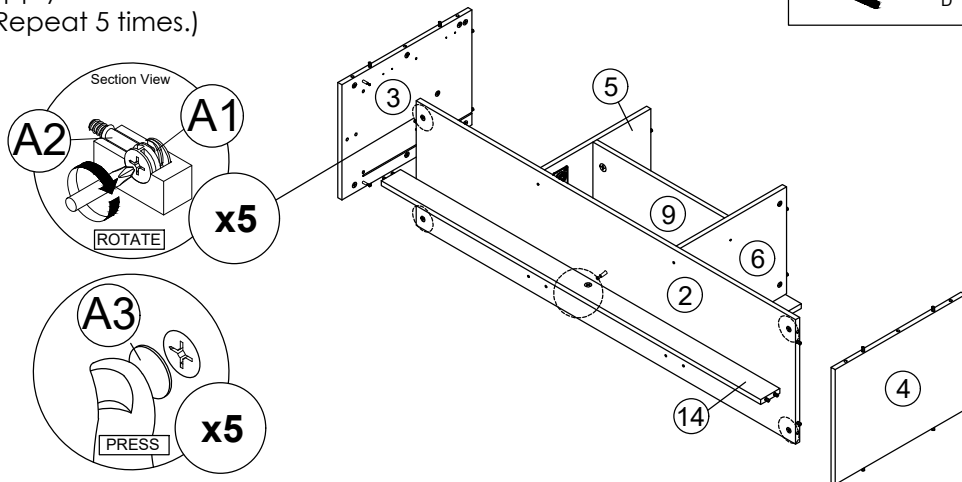
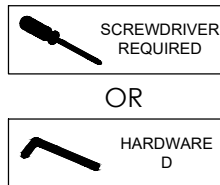
- Connect panel (2) to panel (5), (6) and (13) by using hardware **C** and **D**.
- (Repeat 8 times.)



* In this step hardware **A1** and **B** are pre-inserted.

STEP 7

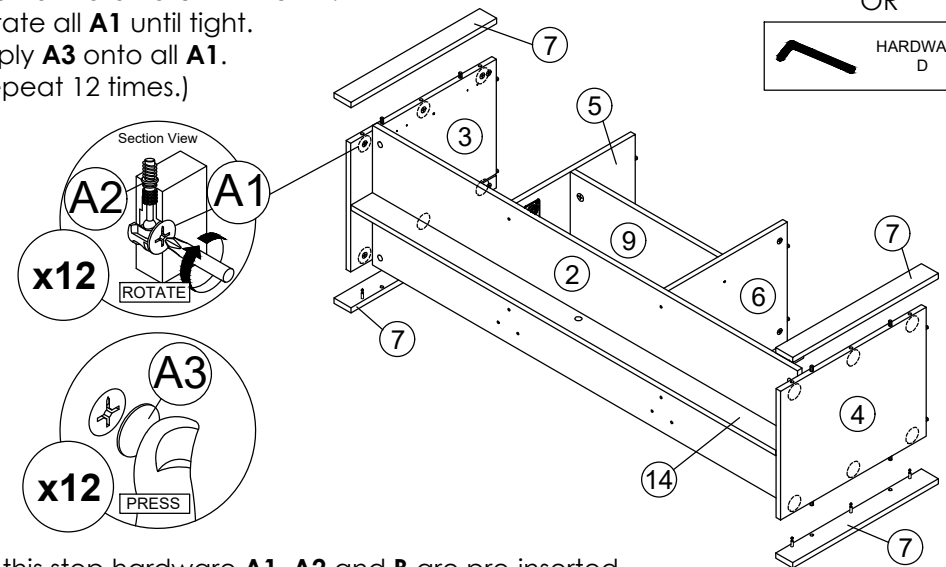
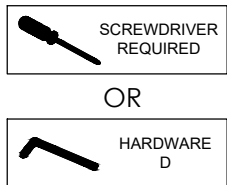
- Attach panel (3) and (4) to panel (2) and (14).
 - Insert all hardware **A2** into **A1**.
 - Rotate all **A1** until tight.
 - Apply **A3** onto all **A1**.
- (Repeat 5 times.)



* In this step hardware **A1**, **A2** and **B** are pre-inserted.

STEP 8

- Attach panel (7) to panel (3) and (4).
 - Insert all hardware **A2** into **A1**.
 - Rotate all **A1** until tight.
 - Apply **A3** onto all **A1**.
- (Repeat 12 times.)



* In this step hardware **A1**, **A2** and **B** are pre-inserted.

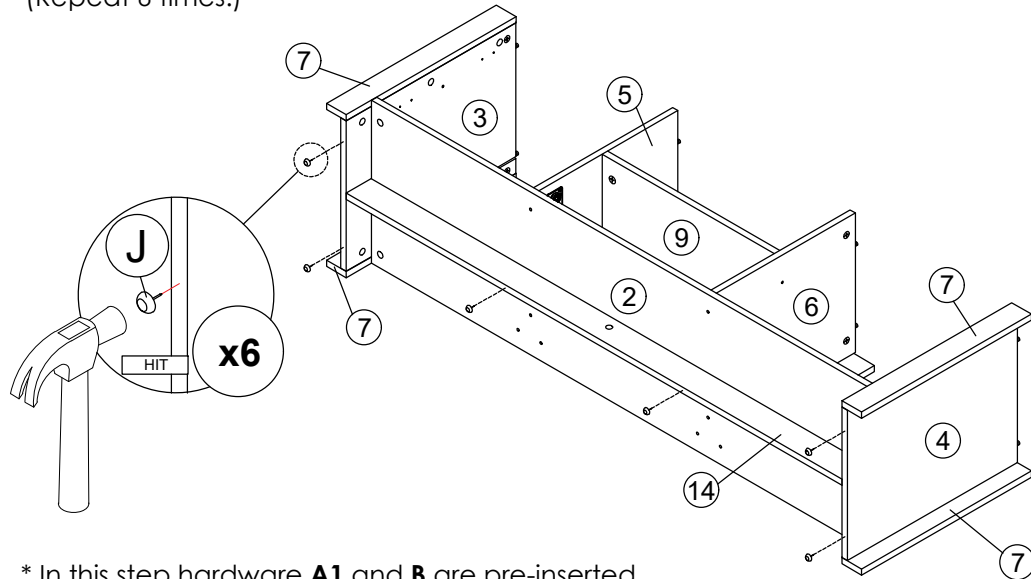
ASSEMBLY INSTRUCTIONS

PAGE: 4/6

MODEL : ECHO TV UNIT

STEP 9

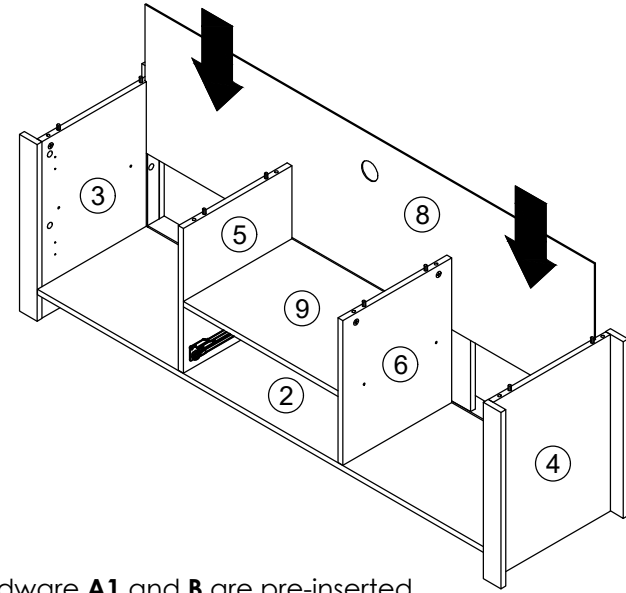
- Hit hardware **J** into bottom of panel **(3)** ,**(4)** and **(14)**.
(Repeat 6 times.)



* In this step hardware **A1** and **B** are pre-inserted.

STEP 10

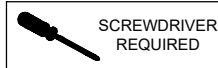
- Insert the panel **(8)** along the slot.



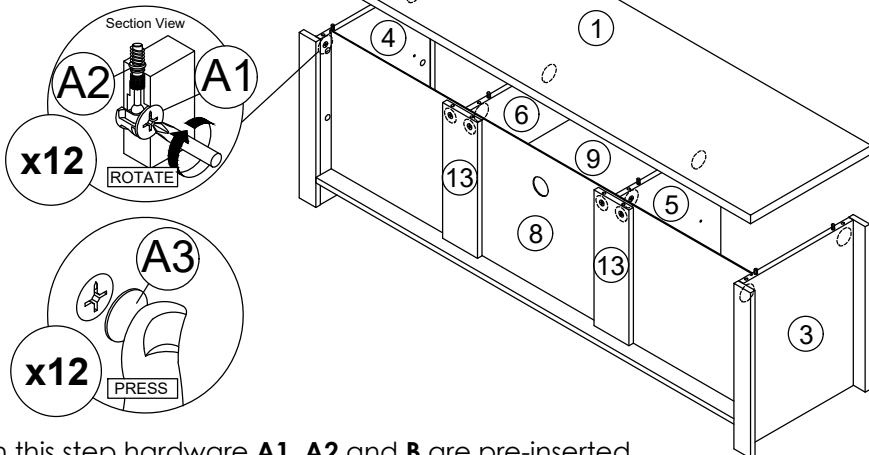
* In this step hardware **A1** and **B** are pre-inserted.

STEP 11

- Attach panel **(1)** to panel **(3)** ,**(4)** ,**(5)** ,**(6)** and **(13)**.
- Insert all hardware **A2** into **A1**.
- Rotate all **A1** until tight.
- Apply **A3** onto all **A1**.
(Repeat 12 times.)



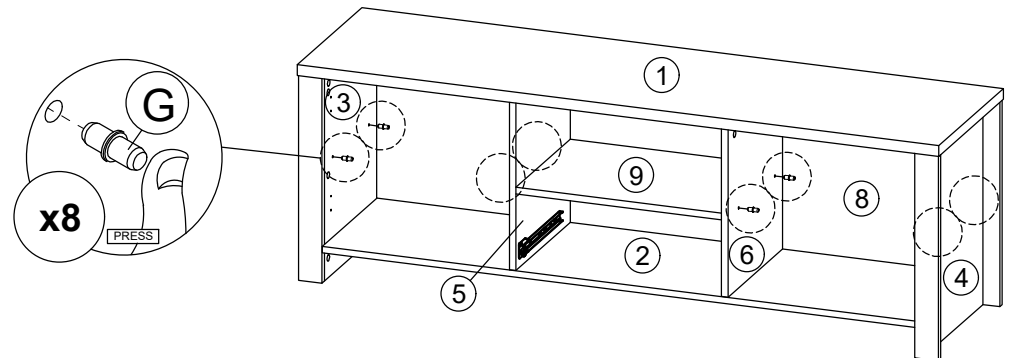
OR



* In this step hardware **A1**, **A2** and **B** are pre-inserted.

STEP 12

- Fix hardware **G** into panel **(3)** ,**(4)** ,**(5)** and **(6)**.
(Repeat 8 times.)



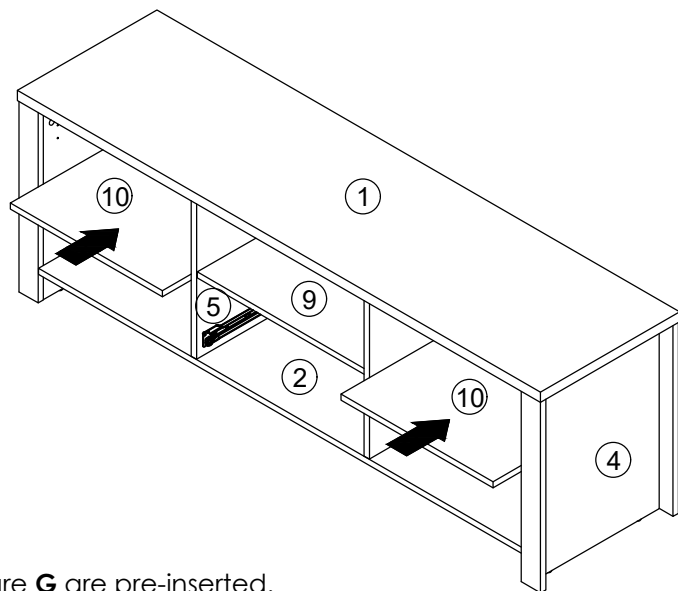
ASSEMBLY INSTRUCTIONS

PAGE: 5/6

MODEL : ECHO TV UNIT

STEP 13

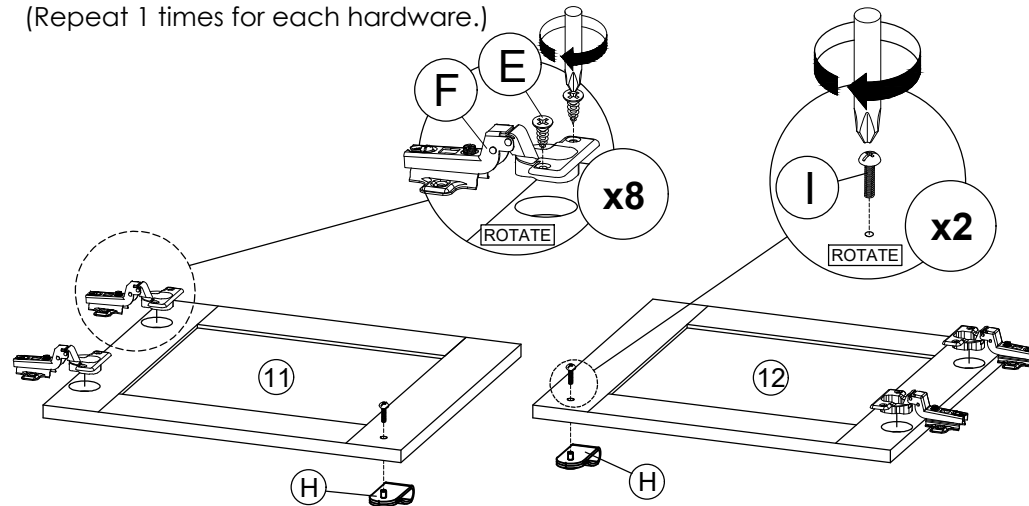
- Assemble the panel (10) into between panel (3) ,(4) ,(5) and (6).
(Repeat 2 times.)



* In this step hardware **G** are pre-inserted.

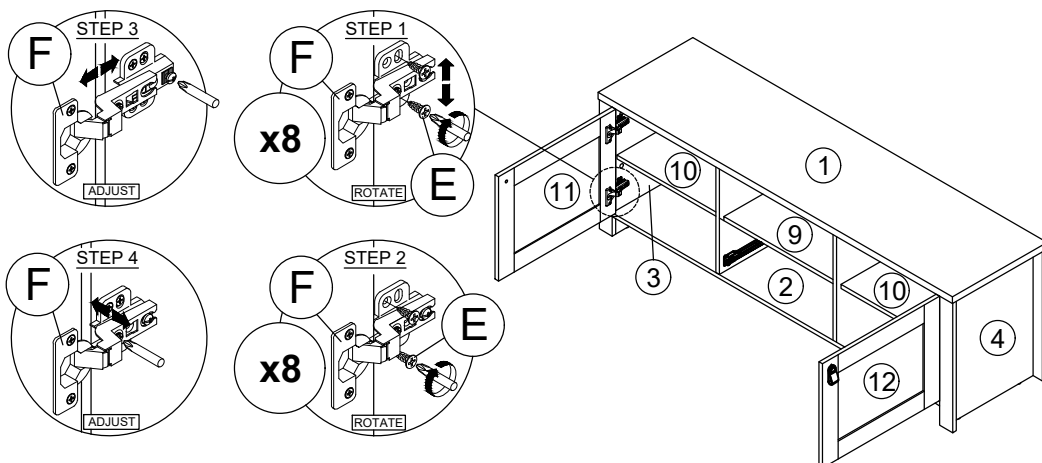
STEP 14

- Fix hardware **F** onto panel (11) and (12) by using hardware **E**.
(Repeat 2 times for each hardware.)
- Fix hardware **H** onto panel (11) and (12) by using hardware **I**.
(Repeat 1 times for each hardware.)



STEP 15

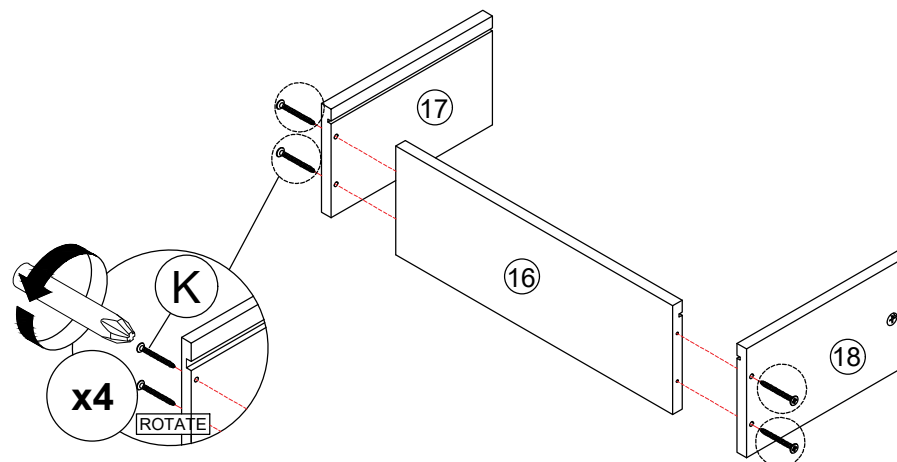
- Fix hardware **F** onto panel (3) and (4) by using hardware **E**.
(Repeat 4 times for each hardware.)
- Tighten or loosen the screw to adjust position of panel (11) and (12).
(Do only when needed.)



* In this step hardware **F** have been assembled in panel (11) and (12).

STEP 16

- Assemble panel (16) with panel (17) and (18)
by using hardware **K**.
(Repeat 4 times.)



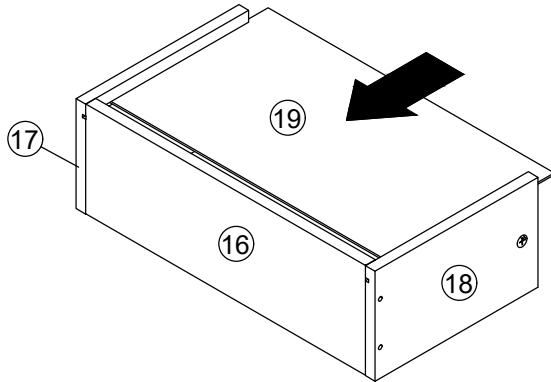
ASSEMBLY INSTRUCTIONS

PAGE: 6/6

MODEL : ECHO TV UNIT

STEP 17

Insert the panel (19) along the slot.
(Repeat 1 times.)

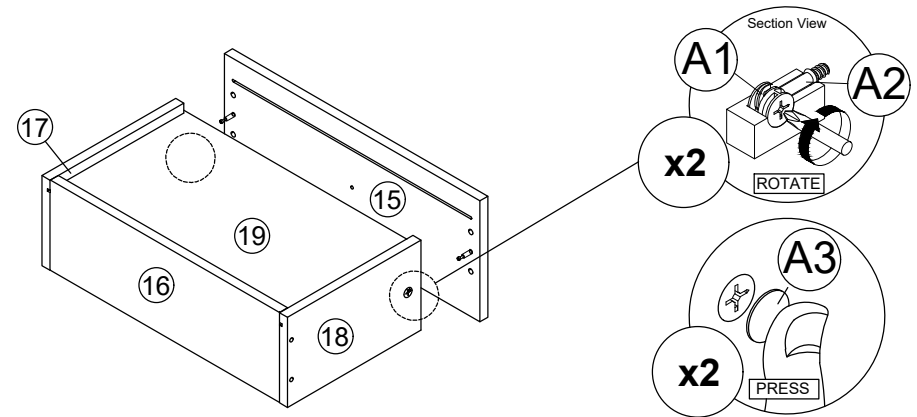


STEP 18

- Attach panel (15) to panel (17) and (18).
 - Insert all hardware A2 into A1.
 - Rotate all A1 until tight.
 - Apply A3 onto all A1.
- (Repeat 2 times.)



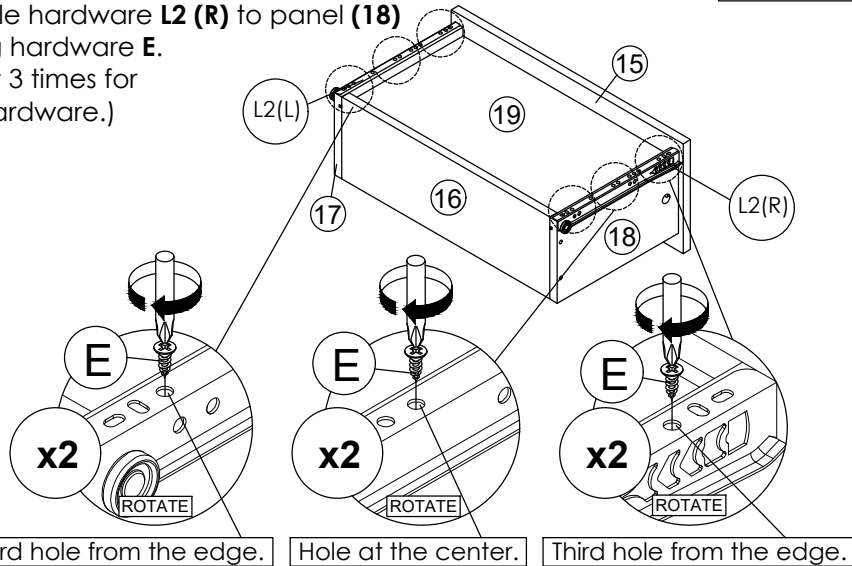
OR



* In this step hardware A1, A2 and B are pre-inserted.

STEP 19

Assemble hardware L2 (L) to panel (17) and assemble hardware L2 (R) to panel (18) by using hardware E.
(Repeat 3 times for each hardware.)



*Hardware L2 (L/R) shall be leaning against panel (15) when assembling.

STEP 20

Put all the drawer in place along the drawer slides.

