

# ASSEMBLY INSTRUCTIONS

PAGE: 1/5

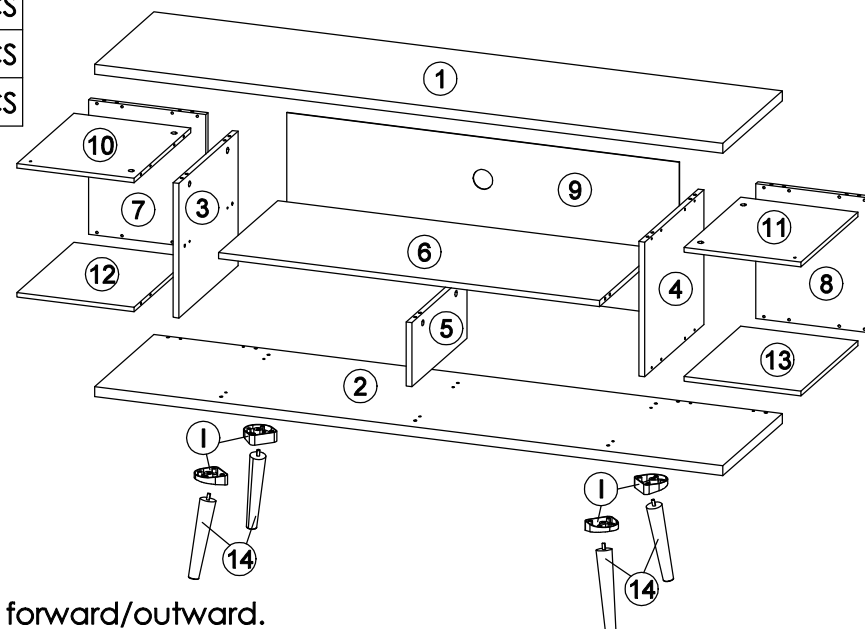
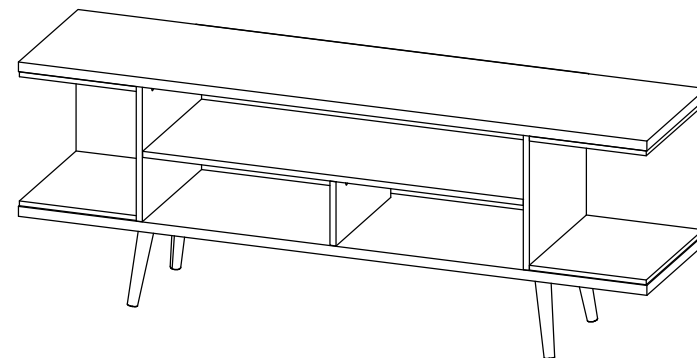
# MODEL : AILEEN TV UNIT

Before you begin, please follow assembly instructions carefully, then follow them step by step.

Read instruction carefully . See Furniture Parts list and Hardware List for guidance . Be sure you have all parts before you start assembling . Place and assemble furniture on a clean flat soft surface , such as carpet or rug to prevent being scratched .

PART LIST		QTY
1	TOP PANEL	1 PC
2	BOTTOM PANEL	1 PC
3	CENTER PANEL (L)	1 PC
4	CENTER PANEL (R)	1 PC
5	CENTER PANEL	1 PC
6	MIDDLE PANEL	1 PC
7	BACK SUPPORT (L)	1 PC
8	BACK SUPPORT (R)	1 PC
9	BACK PANEL	1 PC
10	INNER PANEL (1)	1 PC
11	INNER PANEL (2)	1 PC
12	INNER PANEL (3)	1 PC
13	INNER PANEL (4)	1 PC
14	WOOD LEG	4 PCS

HARDWARE			
A	MINI FIX (Ø15x12mm)	A1  A2	14 SETS
	MINI FIX CAP	A3	6 PCS
	MINI FIX CAP	A4	8 PCS
	MINI FIX (Ø15x9.5mm)	A5  A6	8 SETS
B1	M8 X 30MM WOOD DOWEL		24 PCS
B2	M6 X 30MM WOOD DOWEL		16 PCS
C	M6 X 60MM CSK CAP WOOD SCREW		10 PCS
D	ALLEN KEY M4		1 PC
E	5/8 NAIL		20 PCS
F	M4 X 38MM C.B SCREW		8 PCS
G	M4 X 25MM C.B SCREW		2 PCS
H	M4 X 20MM C.B SCREW		16 PCS
I	SUPPORT LEG MT81		4 PCS



**SELF-PREPARED TOOLS:** Tools below are NOT included in package.

	SCREWDRIVER		HAMMER
--	-------------	--	--------

## Reminder:

Please ensure that all surfaces and edges with colours/laminations are facing forward/outward.

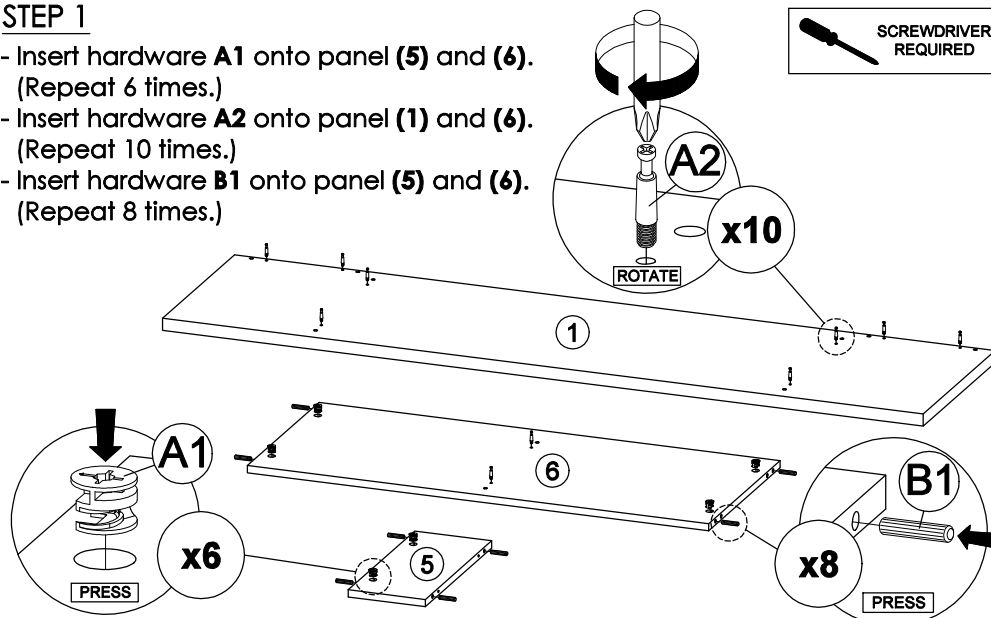
# ASSEMBLY INSTRUCTIONS

PAGE: 2/5

# MODEL : AILEEN TV UNIT

## STEP 1

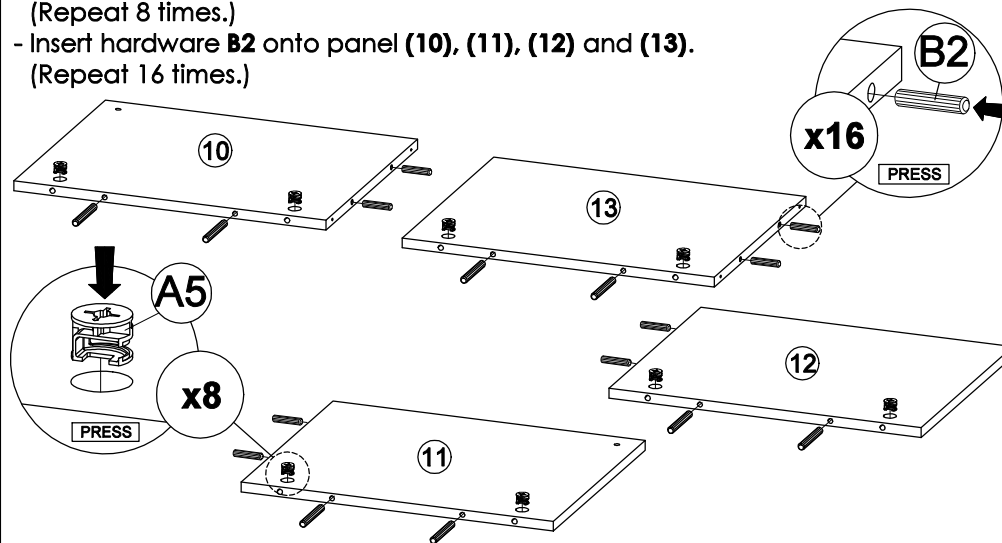
- Insert hardware **A1** onto panel **(5)** and **(6)**. (Repeat 6 times.)
- Insert hardware **A2** onto panel **(1)** and **(6)**. (Repeat 10 times.)
- Insert hardware **B1** onto panel **(5)** and **(6)**. (Repeat 8 times.)



\* Ensure the arrows on hardware **A1** point towards mounting positions.

## STEP 2

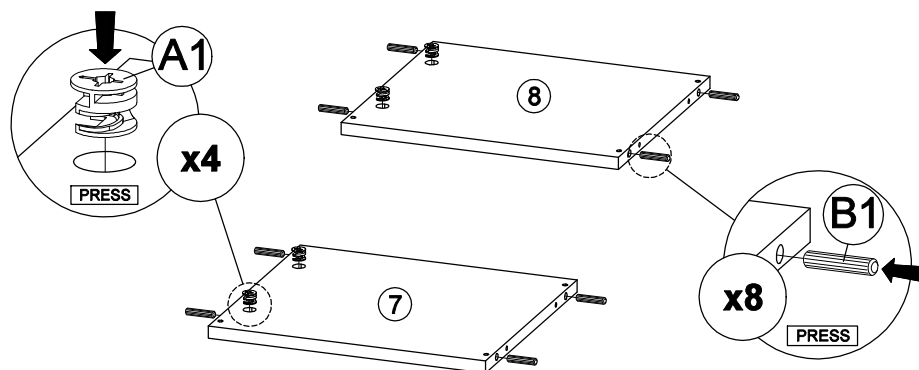
- Insert hardware **A5** onto panel **(10)**, **(11)**, **(12)** and **(13)**. (Repeat 8 times.)
- Insert hardware **B2** onto panel **(10)**, **(11)**, **(12)** and **(13)**. (Repeat 16 times.)



\* Ensure the arrows on hardware **A5** point towards mounting positions.

## STEP 3

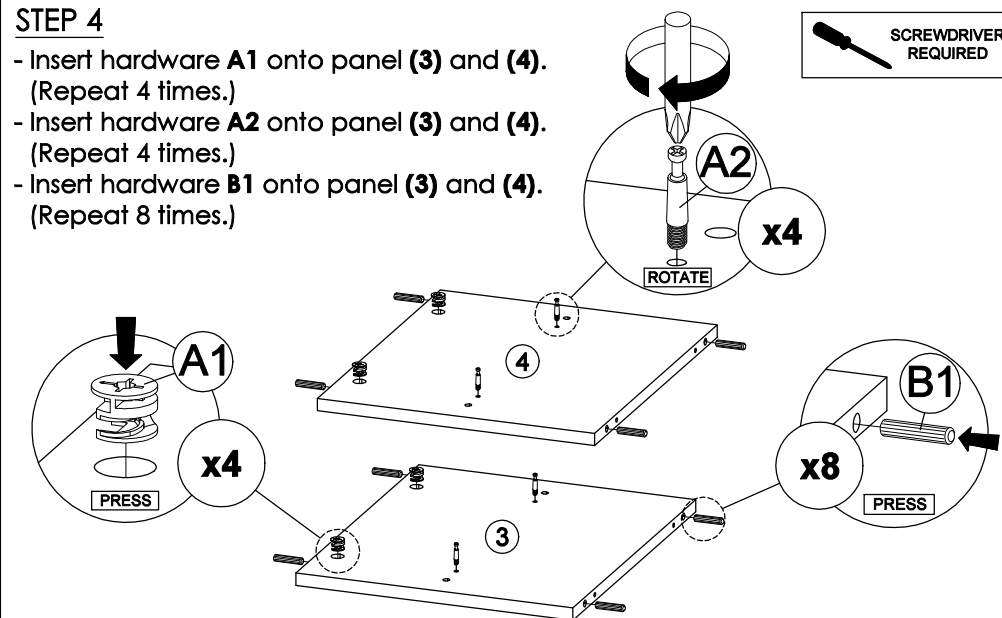
- Insert hardware **A1** onto panel **(7)** and **(8)**. (Repeat 4 times.)
- Insert hardware **B1** onto panel **(7)** and **(8)**. (Repeat 8 times.)



\* Ensure the arrows on hardware **A1** point towards mounting positions.

## STEP 4

- Insert hardware **A1** onto panel **(3)** and **(4)**. (Repeat 4 times.)
- Insert hardware **A2** onto panel **(3)** and **(4)**. (Repeat 4 times.)
- Insert hardware **B1** onto panel **(3)** and **(4)**. (Repeat 8 times.)



\* Ensure the arrows on hardware **A1** point towards mounting positions.

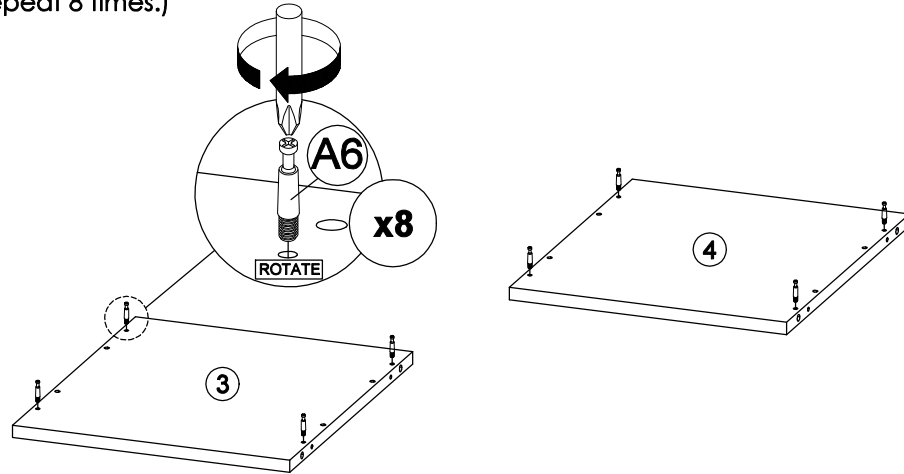
# ASSEMBLY INSTRUCTIONS

PAGE: 3/5

# MODEL : AILEEN TV UNIT

## STEP 5

- Insert hardware **A6** onto the other side of panel **(3)** and **(4)**.  
(Repeat 8 times.)

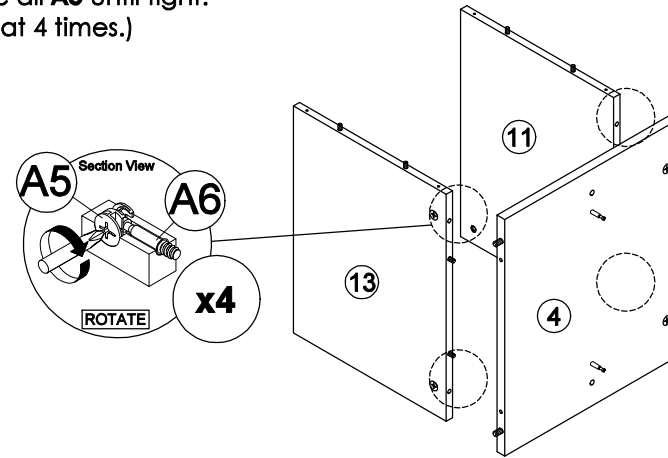


## STEP 6

- Attach panel **(11)** and **(13)** to panel **(4)**.
- Insert all hardware **A6** into **A5**.
- Rotate all **A5** until tight.  
(Repeat 4 times.)



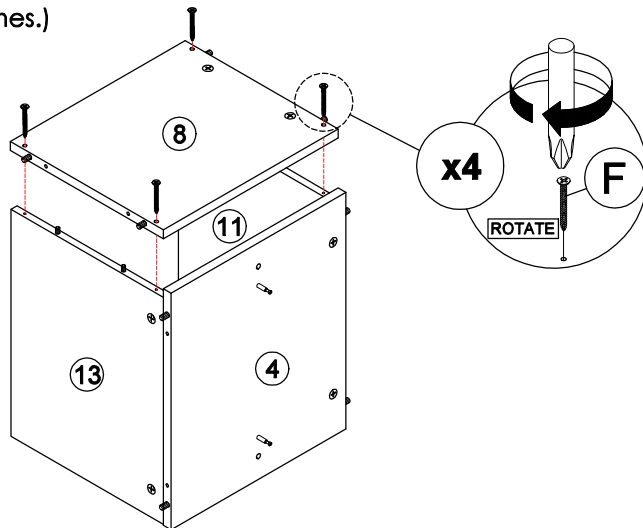
OR



\* In this step hardware **A5**, **A6** and **B2** are pre-inserted.

## STEP 7

- Assemble panel **(8)** with panel **(11)** and **(13)** by using hardware **F**.  
(Repeat 4 times.)

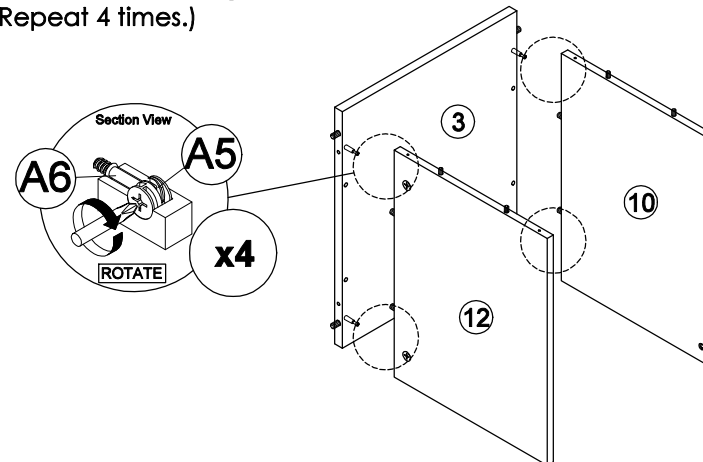


## STEP 8

- Attach panel **(10)** and **(12)** to panel **(3)**.
- Insert all hardware **A6** into **A5**.
- Rotate all **A5** until tight.  
(Repeat 4 times.)



OR



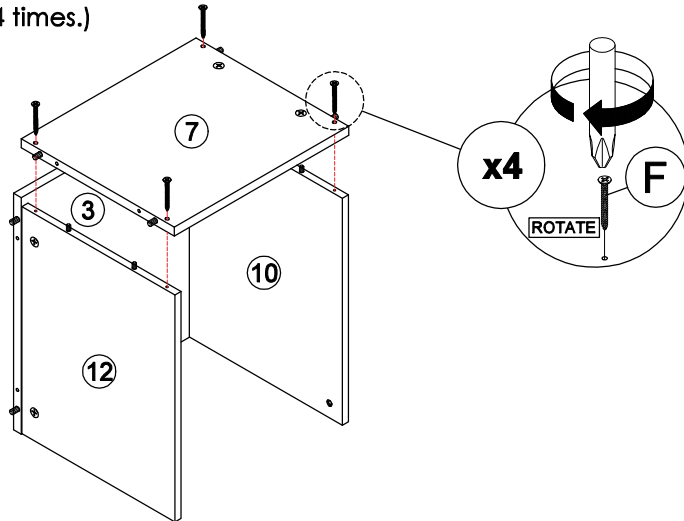
\* In this step hardware **A5**, **A6** and **B2** are pre-inserted.

# ASSEMBLY INSTRUCTIONS

PAGE: 4/5

## STEP 9

- Assemble panel (7) with panel (10) and (12) by using hardware F. (Repeat 4 times.)

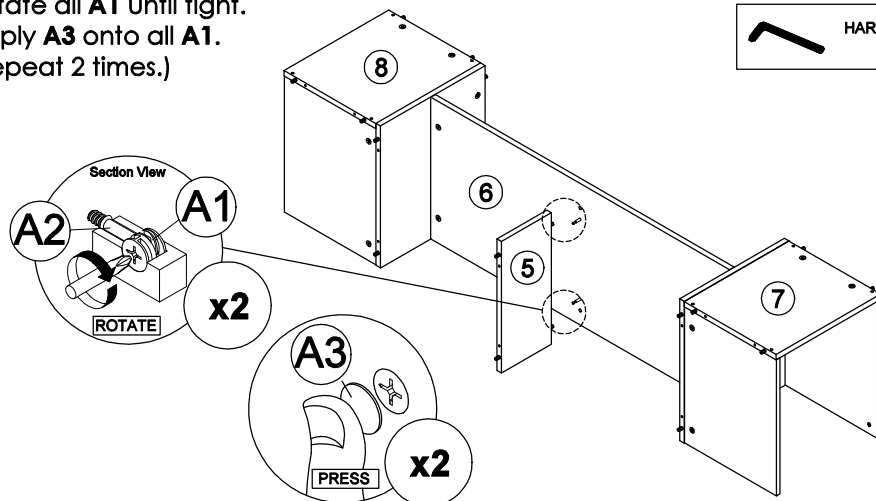
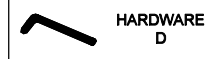


## STEP 11

- Attach panel (5) to panel (6).
- Insert all hardware A2 into A1.
- Rotate all A1 until tight.
- Apply A3 onto all A1. (Repeat 2 times.)



OR



\* In this step hardware A1, A2 and B1 are pre-inserted.

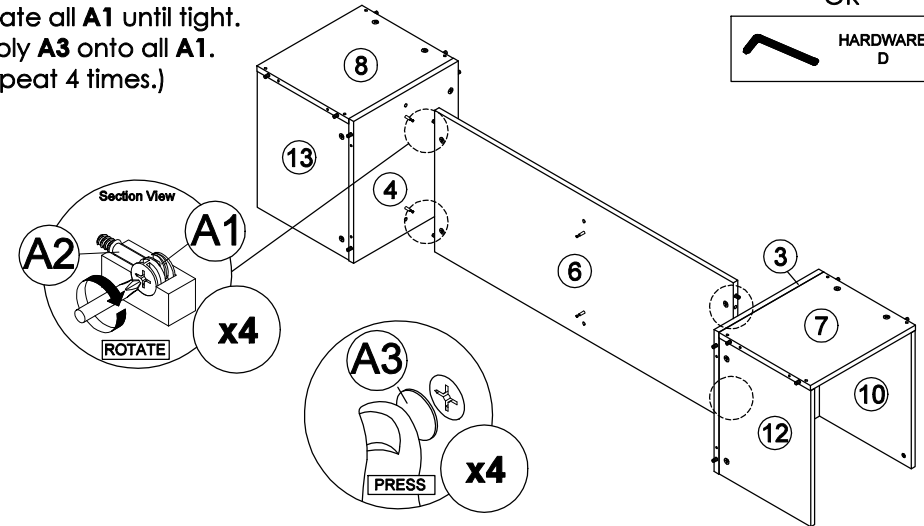
# MODEL : AILEEN TV UNIT

## STEP 10

- Attach panel (3) and (4) to panel (6).
- Insert all hardware A2 into A1.
- Rotate all A1 until tight.
- Apply A3 onto all A1. (Repeat 4 times.)



OR



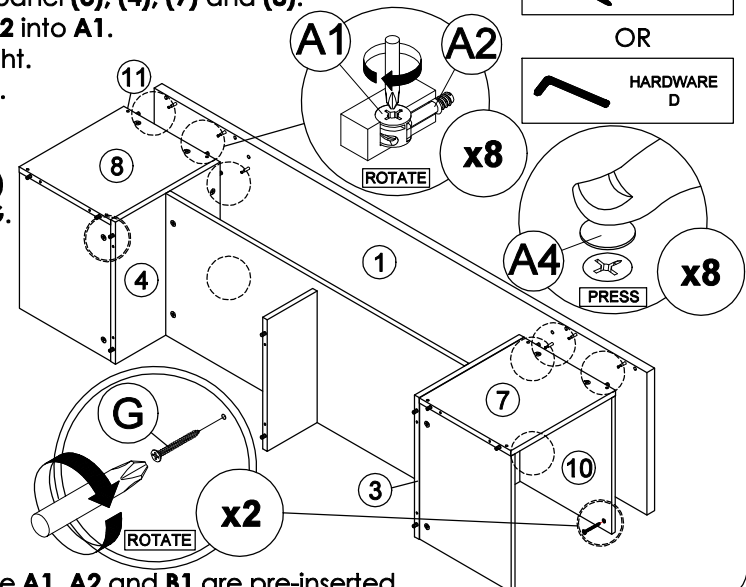
\* In this step hardware A1, A2 and B1 are pre-inserted.

## STEP 12

- Attach panel (1) to panel (3), (4), (7) and (8).
- Insert all hardware A2 into A1.
- Rotate all A1 until tight.
- Apply A4 onto all A1. (Repeat 8 times.)
- Connect panel (10) and (11) to panel (1) by using hardware G. (Repeat 2 times.)



OR



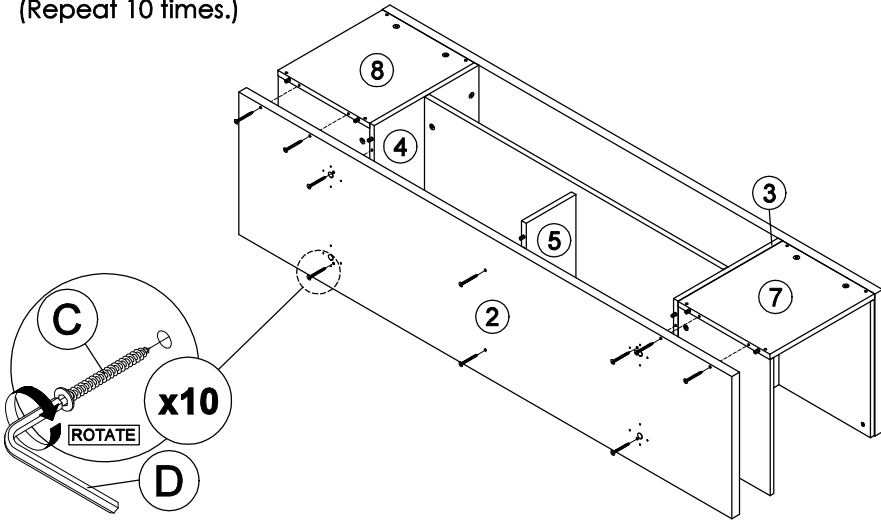
\* In this step hardware A1, A2 and B1 are pre-inserted.

# ASSEMBLY INSTRUCTIONS

PAGE: 5/5

## STEP 13

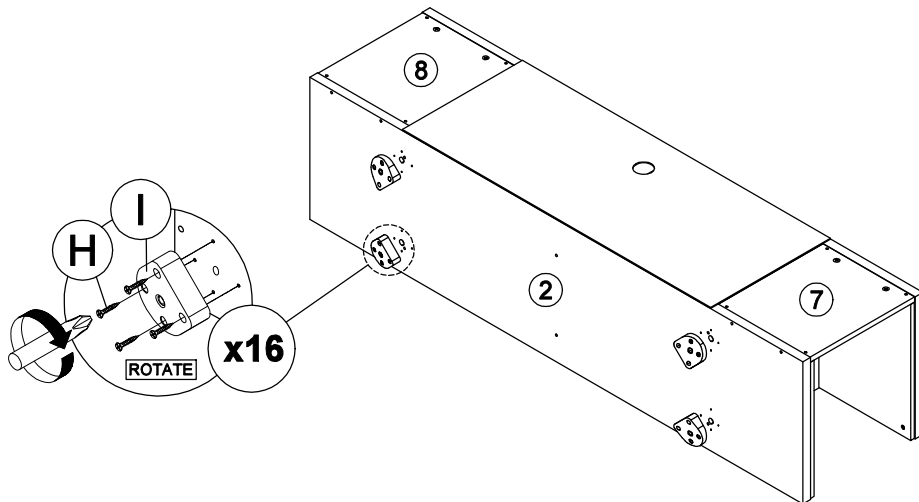
- Connect panel (2) to panel (3), (4), (5), (7) and (8) by using hardware C and D.  
(Repeat 10 times.)



\* In this step hardware B1 are pre-inserted.

## STEP 15

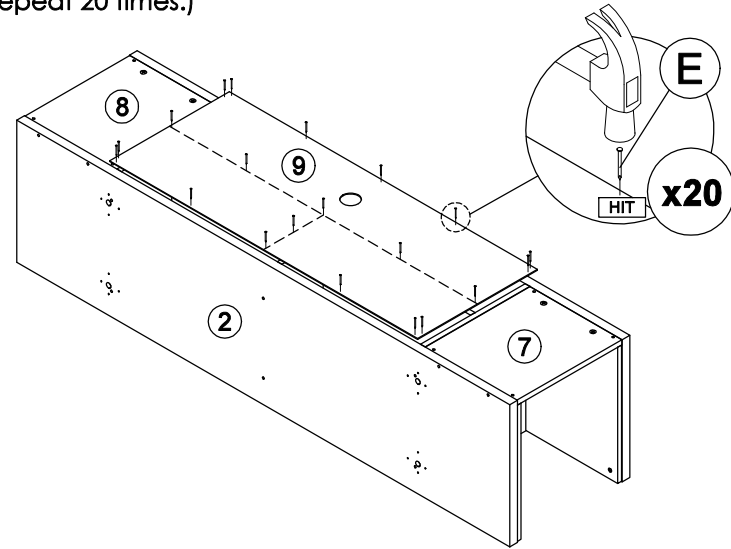
- Fix hardware I into panel (2) by using hardware H.  
(Repeat 4 times for each hardware.)



# MODEL : AILEEN TV UNIT

## STEP 14

- Assemble panel (9) to entire body with hardware E.  
(Repeat 20 times.)



## STEP 16

- Assemble part 14 into hardware I.  
(Repeat 4 times.)

