

ASSEMBLY INSTRUCTIONS



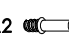
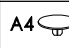





PAGE: 1/3

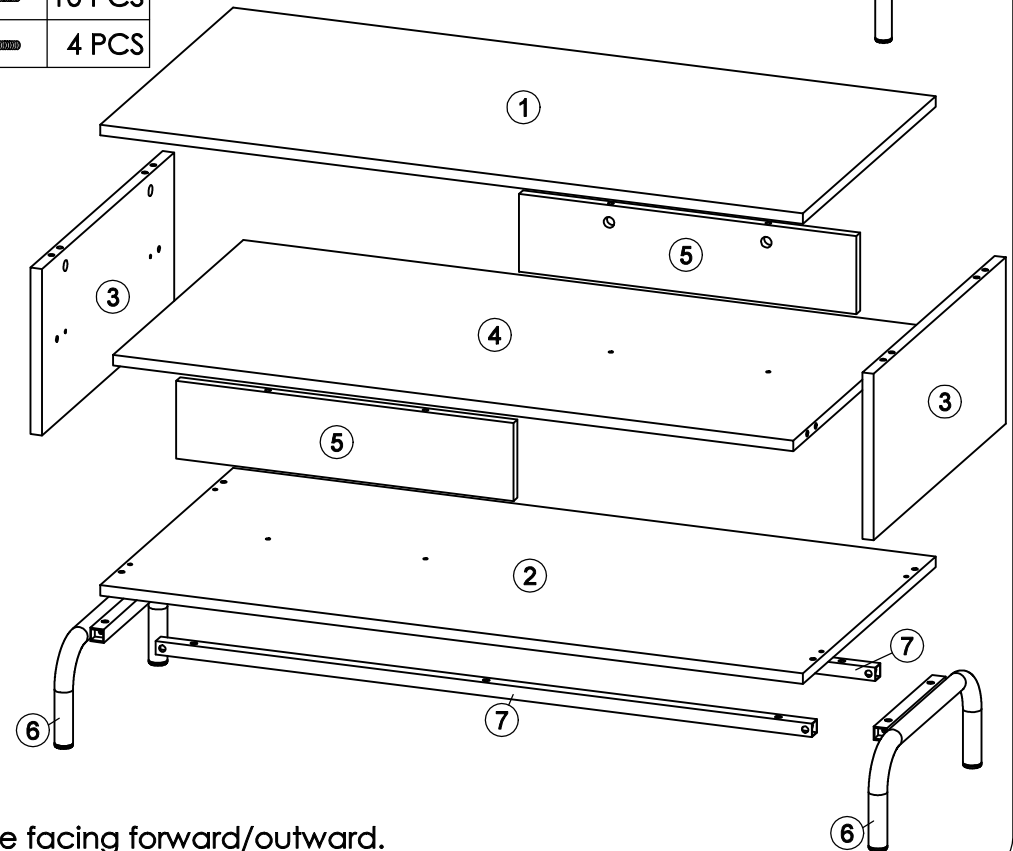
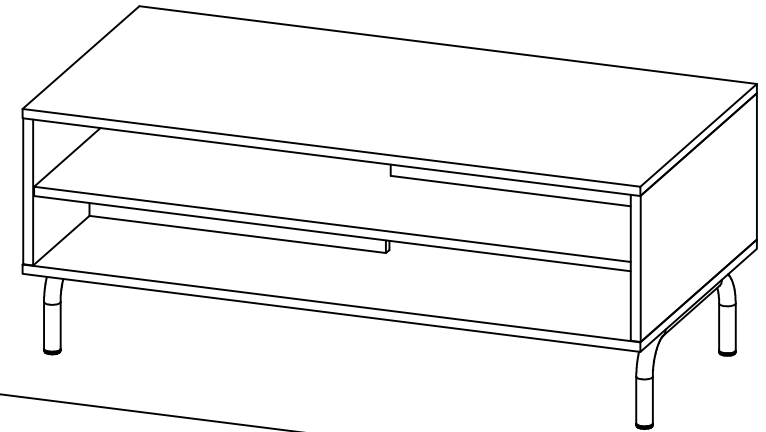
MODEL : ELEORA COFFEE TABLE

Before you begin, please follow assembly instructions carefully, then follow them step by step.

Read instruction carefully . See Furniture Parts list and Hardware List for guidance . Be sure you have all parts before you start assembling . Place and assemble furniture on a clean flat soft surface , such as carpet or rug to prevent being scratched .

PART LIST		QTY
1	TOP PANEL	1 PC
2	BOTTOM PANEL	1 PC
3	SIDE PANEL (L/R)	2 PCS
4	MIDDLE PANEL	1 PC
5	MIDDLE BONE	2 PCS
6	METAL FRAME	2 PCS
7	METAL BONE	2 PCS

HARDWARE					
A	MINI FIX	A1 	12 SETS	A3 	8 PCS
		A2 		A4 	4 PCS
B	M8 X 30MM WOOD DOWEL				12 PCS
C	M6 X 50MM CSK CAP WOOD SCREW				8 PCS
D	ALLEN KEY M4				1 PC
E	JCBC SCREW M6 X 30MM				10 PCS
F	JCBC SCREW M6 X 40MM				4 PCS



SELF-PREPARED TOOLS: Tools below are NOT included in package.



SCREWDRIVER



HAMMER

Reminder:

Please ensure that all surfaces and edges with colours/laminations are facing forward/outward.

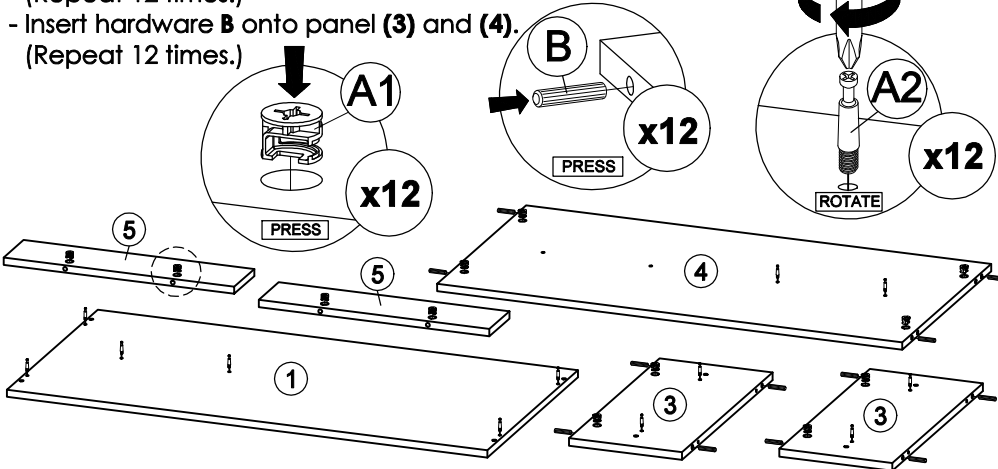
ASSEMBLY INSTRUCTIONS

PAGE: 2/3

MODEL : ELEORA COFFEE TABLE

STEP 1

- Insert hardware **A1** onto panel (3), (4) and (5).
(Repeat 12 times.)
- Insert hardware **A2** onto panel (1), (3) and (4).
(Repeat 12 times.)
- Insert hardware **B** onto panel (3) and (4).
(Repeat 12 times.)



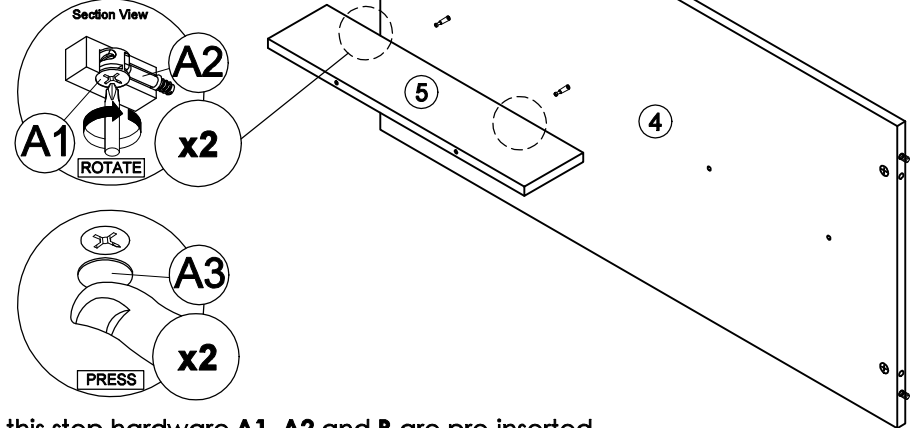
* Ensure the arrows on hardware **A1** point towards mounting positions.

STEP 2

- Attach panel (5) to panel (4).
- Insert all hardware **A2** into **A1**.
- Rotate all **A1** until tight.
- Apply **A3** onto all **A1**.
(Repeat 2 times.)



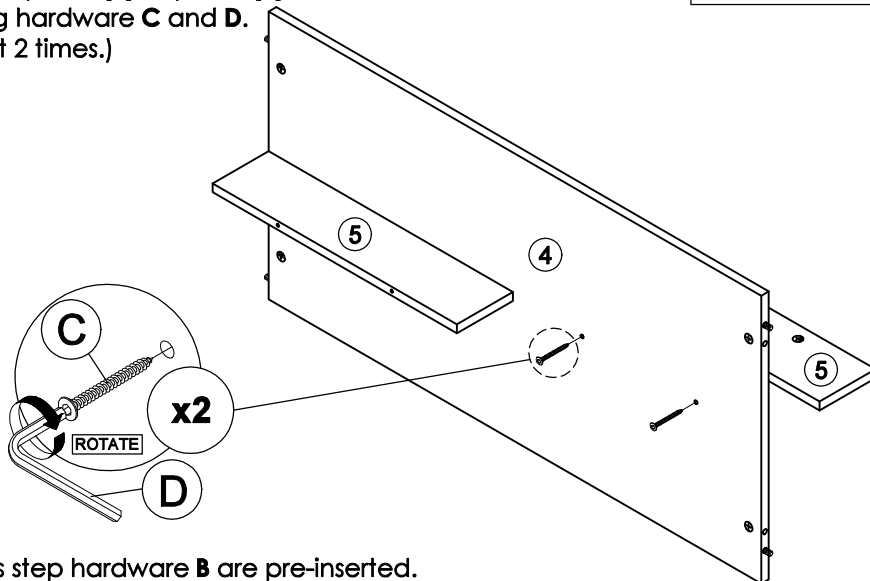
OR



* In this step hardware **A1**, **A2** and **B** are pre-inserted.

STEP 3

- Connect panel (5) to panel (4)
by using hardware **C** and **D**.
(Repeat 2 times.)



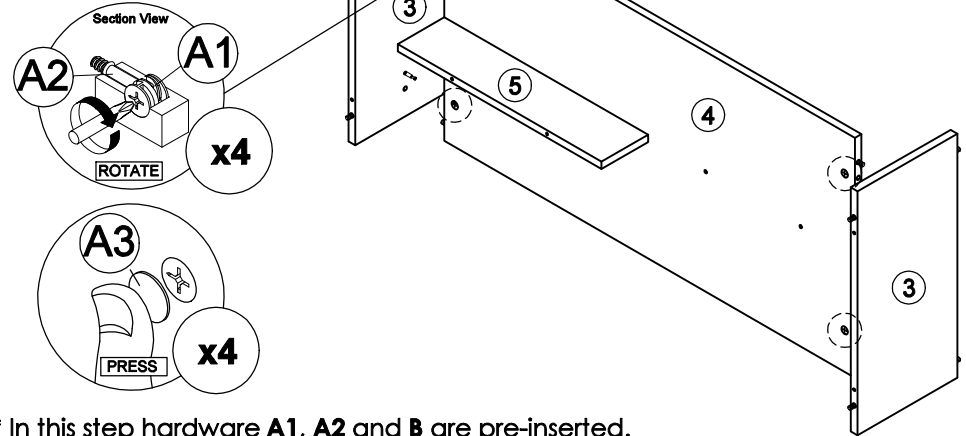
* In this step hardware **B** are pre-inserted.

STEP 4

- Attach panel (3) to panel (4).
- Insert all hardware **A2** into **A1**.
- Rotate all **A1** until tight.
- Apply **A3** onto all **A1**.
(Repeat 4 times.)



OR



* In this step hardware **A1**, **A2** and **B** are pre-inserted.

ASSEMBLY INSTRUCTIONS

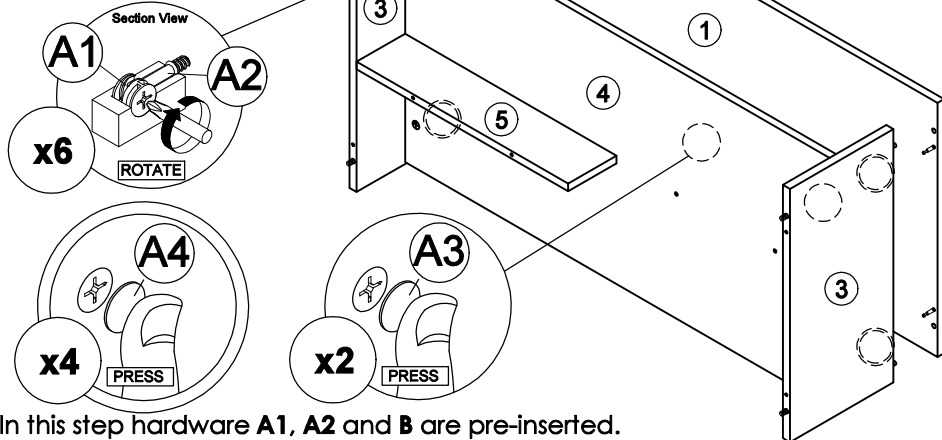
MODEL : ELEORA COFFEE TABLE

STEP 5

- Attach panel (1) to panel (3) and (5).
- Insert all hardware A2 into A1.
- Rotate all A1 until tight.
- Apply A3 and A4 onto all A1.
- (Repeat 6 times.)



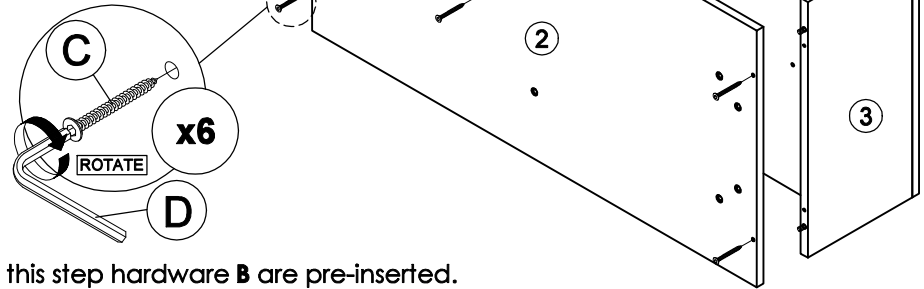
OR



* In this step hardware A1, A2 and B are pre-inserted.

STEP 6

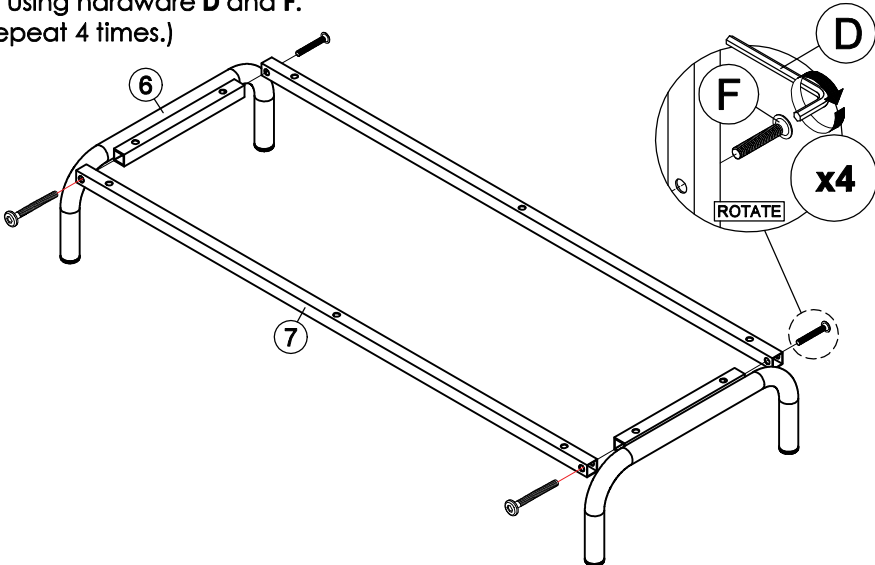
- Connect panel (2) to panel (3) and (5) by using hardware C and D.
- (Repeat 6 times.)



* In this step hardware B are pre-inserted.

STEP 7

- Connect Metal Bone (7) to Metal Frame (6) by using hardware D and F.
- (Repeat 4 times.)



STEP 8

- Connect Metal bone (7) and Metal Frame (6) to panel (2) by using hardware D and E.
- (Repeat 10 times.)

