

ASSEMBLY INSTRUCTIONS

PAGE: 1/6

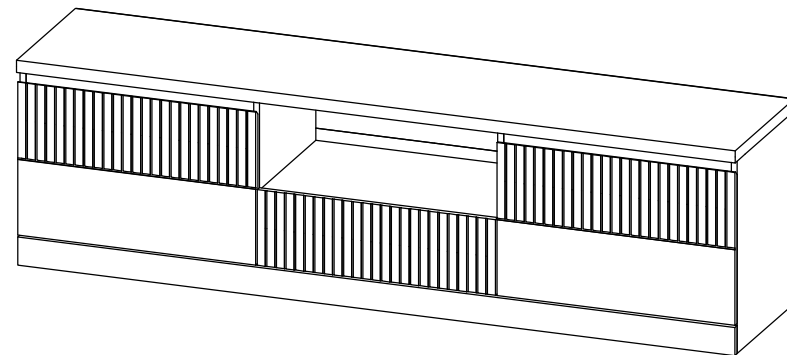
MODEL : KADEN TV UNIT

Before you begin, please follow assembly instructions carefully, then follow them step by step.

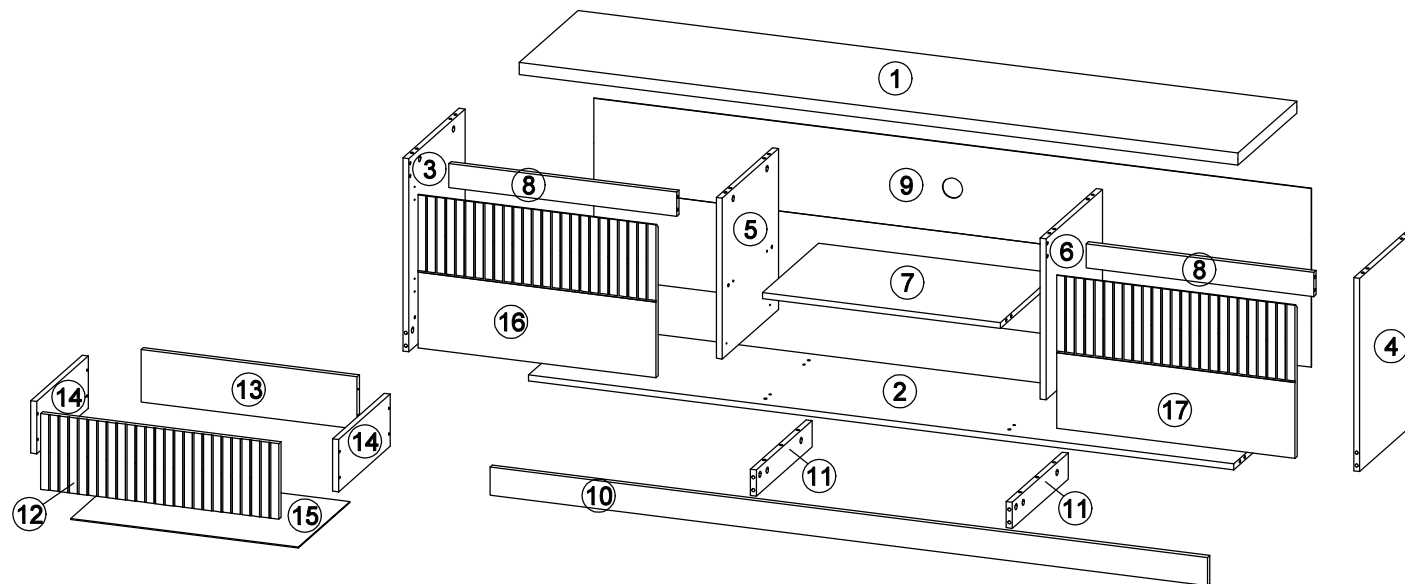
Read instruction carefully . See Furniture Parts list and Hardware List for guidance . Be sure you have all parts before you start assembling .
Place and assemble furniture on a clean flat soft surface , such as carpet or rug to prevent being scratched .

PART LIST		QTY
1	TOP PANEL	1 PC
2	BOTTOM PANEL	1 PC
3	SIDE PANEL (L)	1 PC
4	SIDE PANEL (R)	1 PC
5	CENTER PANEL (L)	1 PC
6	CENTER PANEL (R)	1 PC
7	MIDDLE PANEL	1 PC
8	MIDDLE BONE	2 PCS
9	BACK PANEL	1 PC
10	CABINET LEG	1 PC
11	CENTER LEG	2 PCS
12	DRAWER FRONT	1 PC
13	DRAWER BACK	1 PC
14	DRAWER SIDE	2 PCS
15	DRAWER BOTTOM	1 PC
16	DOOR PANEL (L)	1 PC
17	DOOR PANEL (R)	1 PC

HARDWARE				
A	MINI FIX	A1 A2 A3		24 SETS
B	M8 X 30MM WOOD DOWEL			34 PCS
C	M6 X 50MM CSK CAP WOOD SCREW			4 PCS
D	ALLEN KEY M4			1 PC
E	M3.5 X 16MM C.B SCREW			36 PCS
F	M4 X 38MM C.B SCREW			8 PCS
G	5/8 NAIL			40 PCS
H	5/8 PVC NAIL LEG			8 PCS
I	SOFT CLOSING 5/8 HINGES			4 PCS
J	14" DRAWER SLIDE		J1 (L/R) J2 (L/R)	1 SET



SELF-PREPARED TOOLS: Tools below are NOT included in package.	
SCREWDRIVER	HAMMER



Reminder:

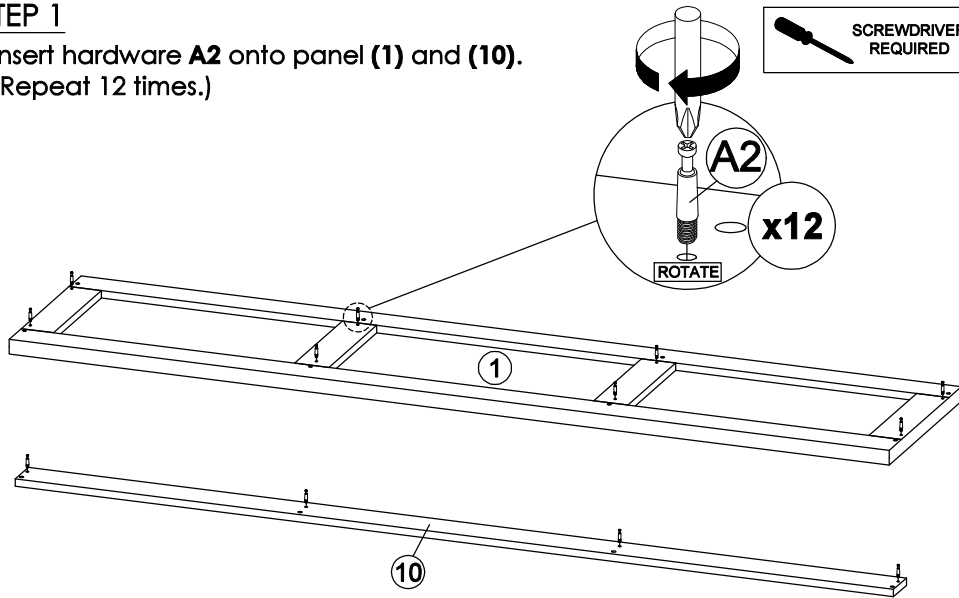
Please ensure that all surfaces and edges with colours/laminations are facing forward/outward.

ASSEMBLY INSTRUCTIONS

PAGE: 2/6

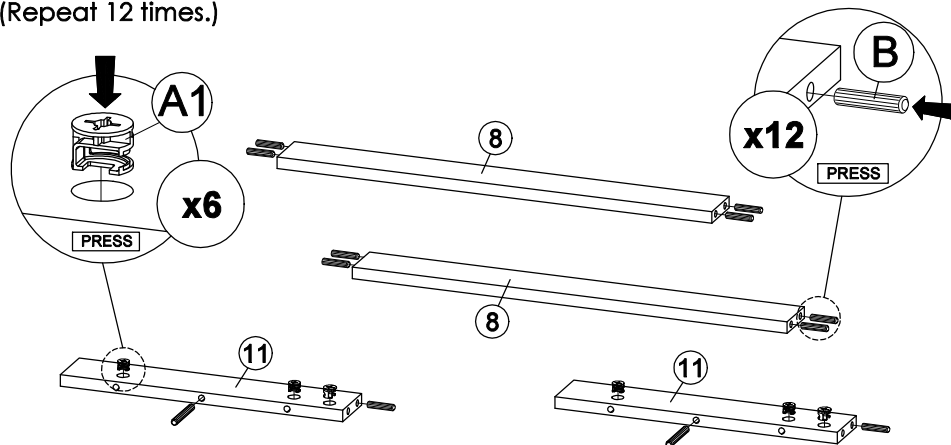
STEP 1

- Insert hardware **A2** onto panel **(1)** and **(10)**.
(Repeat 12 times.)



STEP 3

- Insert hardware **A1** onto panel **(11)**.
(Repeat 6 times.)
- Insert hardware **B** onto panel **(8)** and **(11)**.
(Repeat 12 times.)

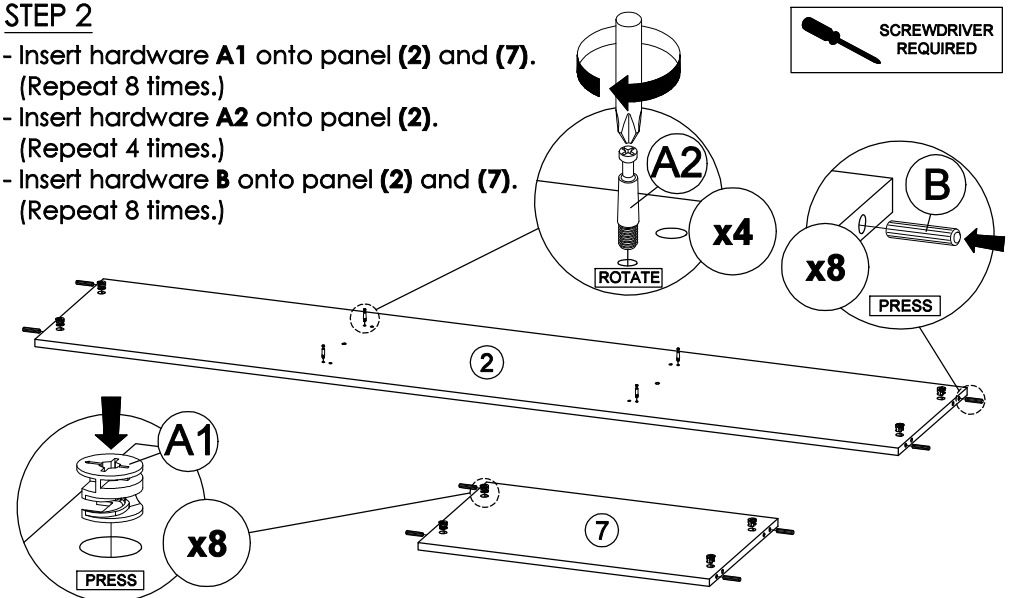


* Ensure the arrows on hardware **A1** point towards mounting positions.

MODEL : KADEN TV UNIT

STEP 2

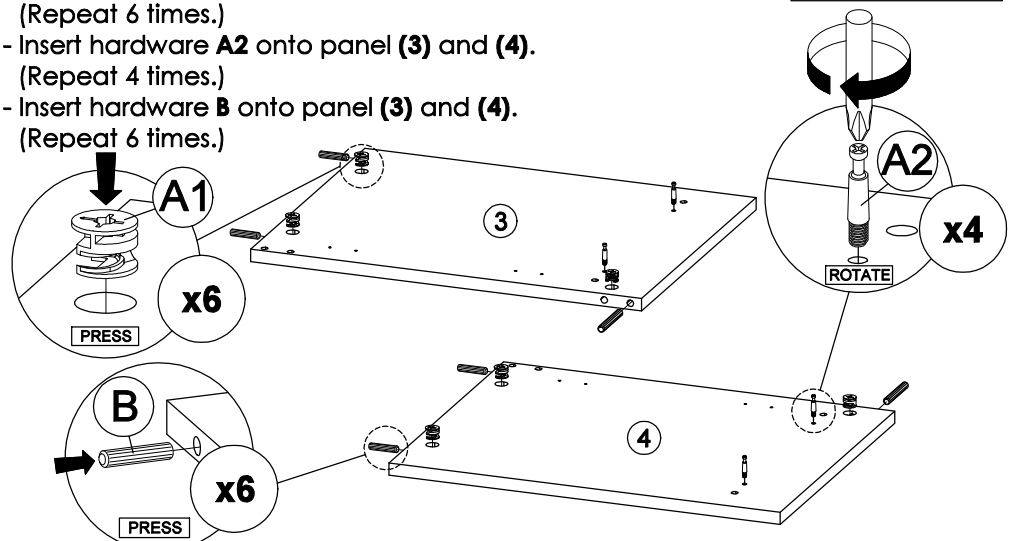
- Insert hardware **A1** onto panel **(2)** and **(7)**.
(Repeat 8 times.)
- Insert hardware **A2** onto panel **(2)**.
(Repeat 4 times.)
- Insert hardware **B** onto panel **(2)** and **(7)**.
(Repeat 8 times.)



* Ensure the arrows on hardware **A1** point towards mounting positions.

STEP 4

- Insert hardware **A1** onto panel **(3)** and **(4)**.
(Repeat 6 times.)
- Insert hardware **A2** onto panel **(3)** and **(4)**.
(Repeat 4 times.)
- Insert hardware **B** onto panel **(3)** and **(4)**.
(Repeat 6 times.)



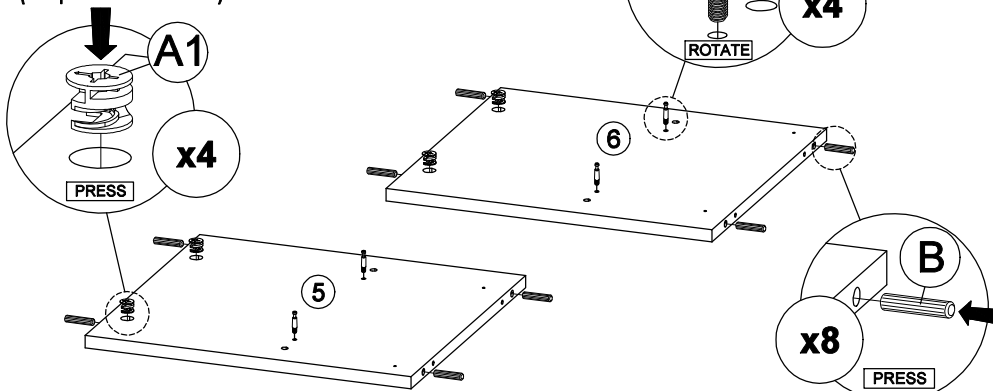
* Ensure the arrows on hardware **A1** point towards mounting positions.

ASSEMBLY INSTRUCTIONS

PAGE: 3/6

STEP 5

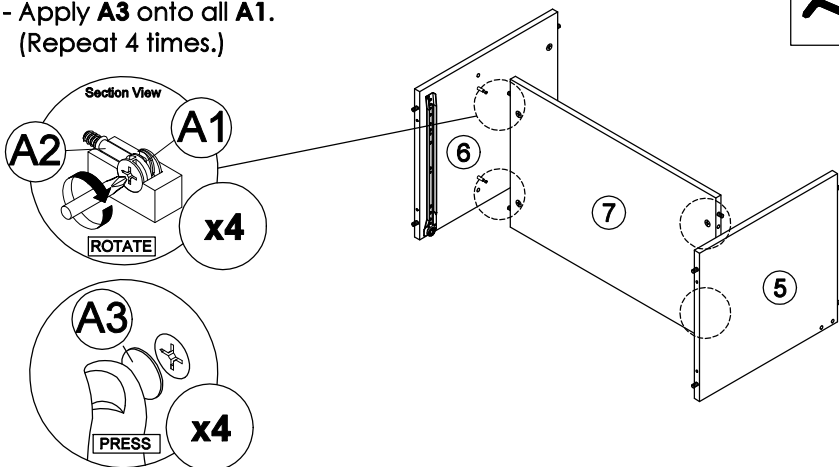
- Insert hardware **A1** onto panel **(5)** and **(6)**.
(Repeat 4 times.)
- Insert hardware **A2** onto panel **(5)** and **(6)**.
(Repeat 4 times.)
- Insert hardware **B** onto panel **(5)** and **(6)**.
(Repeat 8 times.)



* Ensure the arrows on hardware **A1** point towards mounting positions.

STEP 7

- Attach panel **(5)** and **(6)** to panel **(7)**.
- Insert all hardware **A2** into **A1**.
- Rotate all **A1** until tight.
- Apply **A3** onto all **A1**.
(Repeat 4 times.)

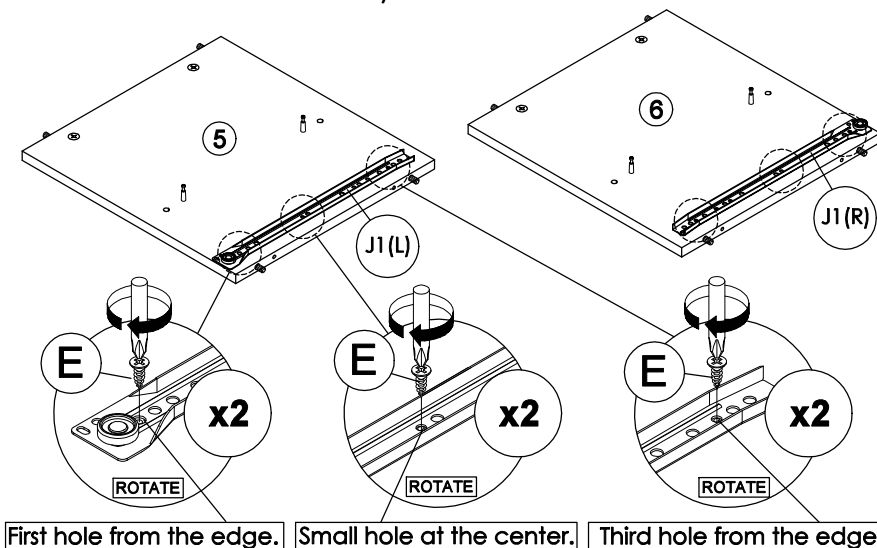


* In this step hardware **A1**, **A2** and **B** are pre-inserted.

MODEL : KADEN TV UNIT

STEP 6

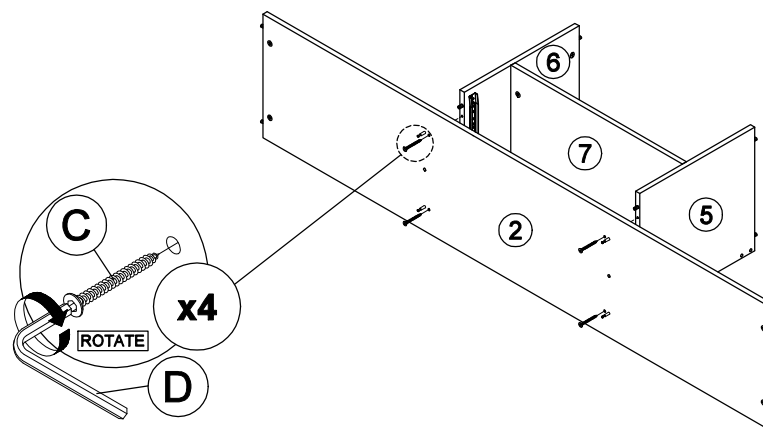
- Fix hardware **J1 (L/R)** into panel **(5)** and **(6)** with hardware **E**.
(Repeat 3 times for each hardware.)



First hole from the edge. Small hole at the center. Third hole from the edge.

STEP 8

- Connect panel **(2)** to panel **(5)** and **(6)** by using hardware **C** and **D**.
(Repeat 4 times.)



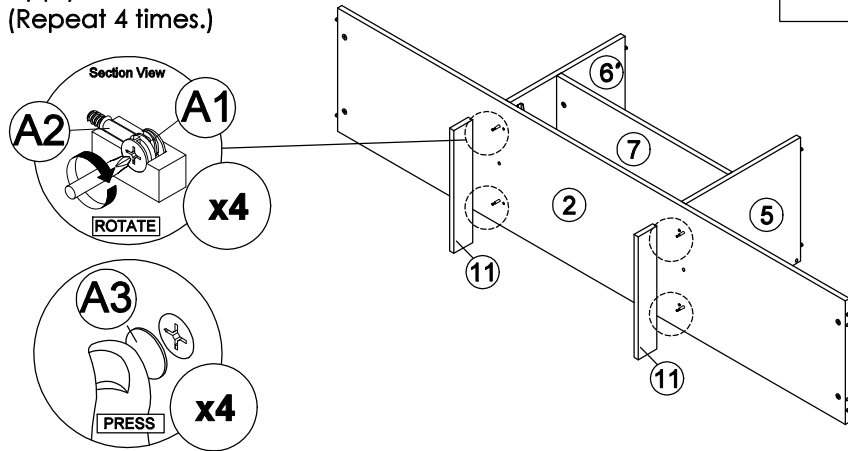
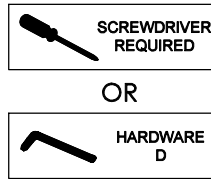
* In this step hardware **B** are pre-inserted.

ASSEMBLY INSTRUCTIONS

PAGE: 4/6

STEP 9

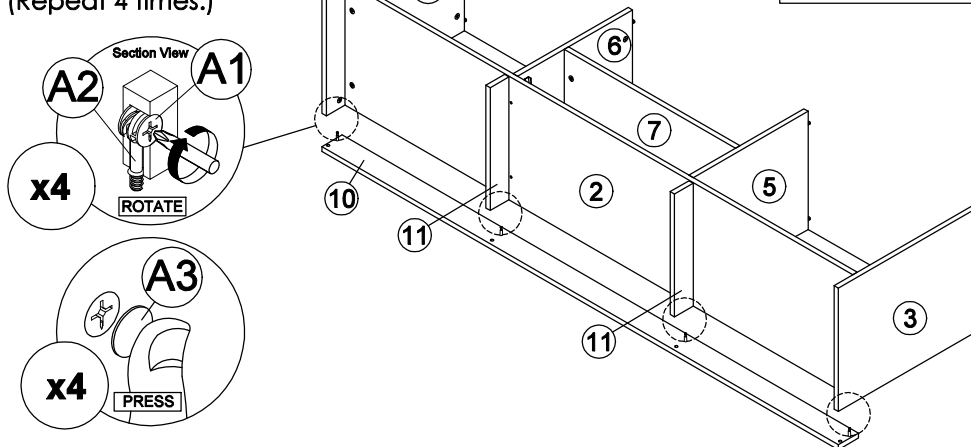
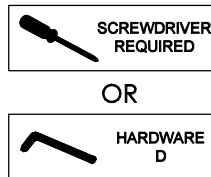
- Attach panel (11) to panel (2).
- Insert all hardware A2 into A1.
- Rotate all A1 until tight.
- Apply A3 onto all A1.
- (Repeat 4 times.)



* In this step hardware A1, A2 and B are pre-inserted.

STEP 11

- Attach panel (10) to panel (3), (4) and (11).
- Insert all hardware A2 into A1.
- Rotate all A1 until tight.
- Apply A3 onto all A1.
- (Repeat 4 times.)

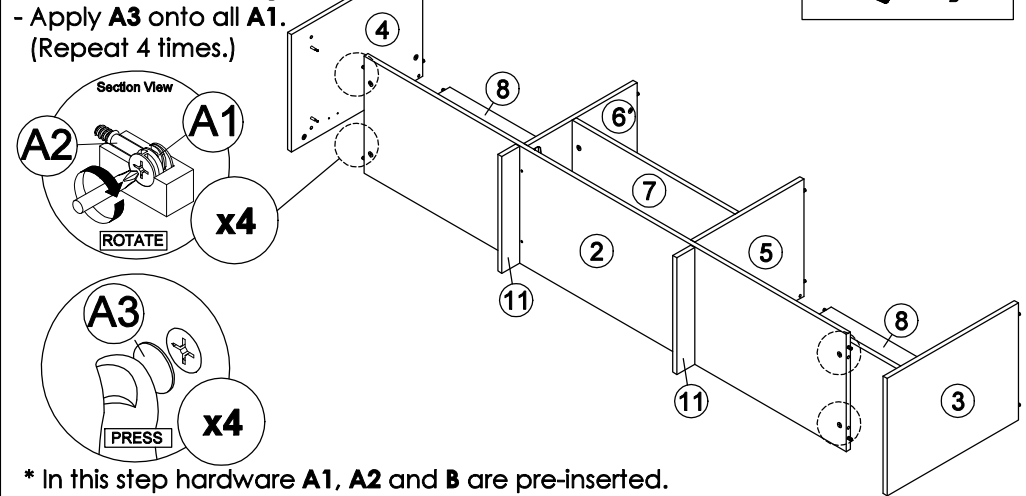
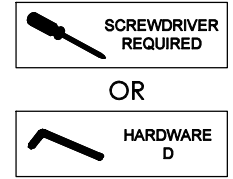


* In this step hardware A1, A2 and B are pre-inserted.

MODEL : KADEN TV UNIT

STEP 10

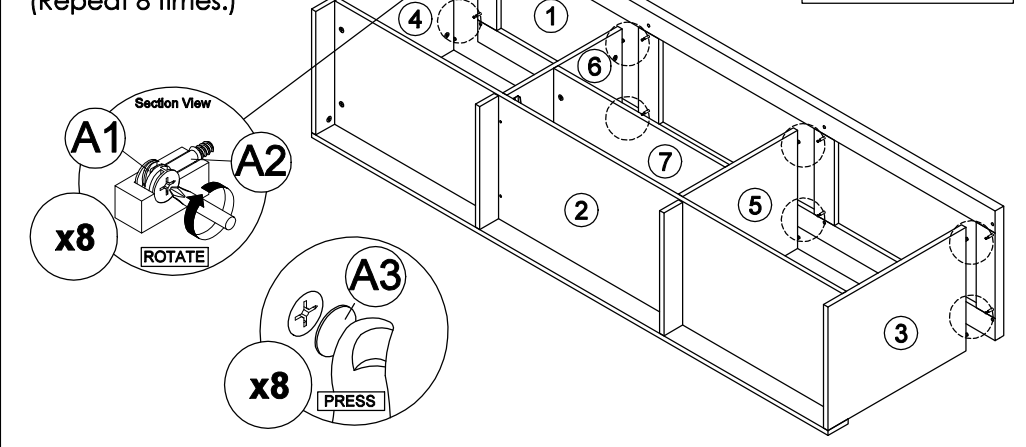
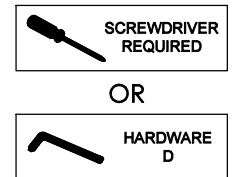
- Attach panel (8) to panel (5) and (6).
- Attach panel (3) and (4) to panel (2) and (8).
- Insert all hardware A2 into A1.
- Rotate all A1 until tight.
- Apply A3 onto all A1.
- (Repeat 4 times.)



* In this step hardware A1, A2 and B are pre-inserted.

STEP 12

- Attach panel (1) to panel (3), (4), (5) and (6).
- Insert all hardware A2 into A1.
- Rotate all A1 until tight.
- Apply A3 onto all A1.
- (Repeat 8 times.)



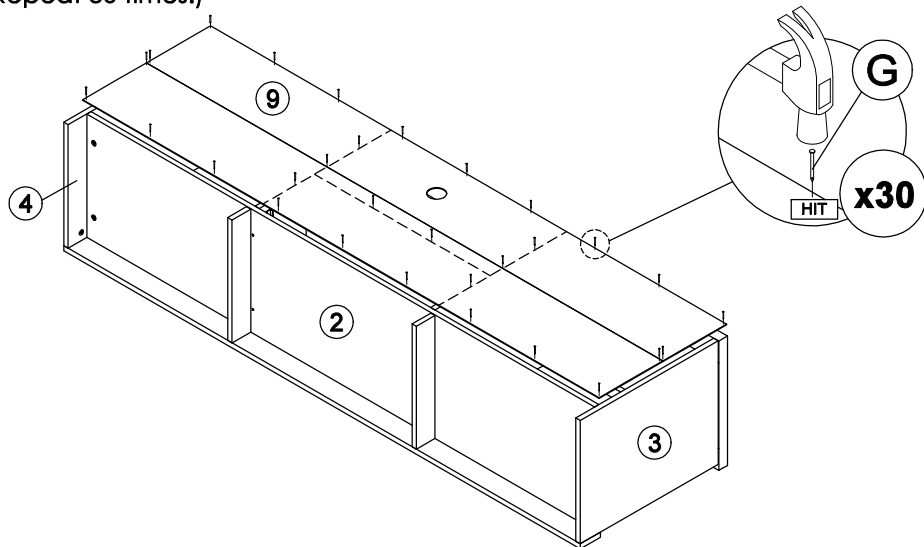
* In this step hardware A1, A2 and B are pre-inserted.

ASSEMBLY INSTRUCTIONS

PAGE: 5/6

STEP 13

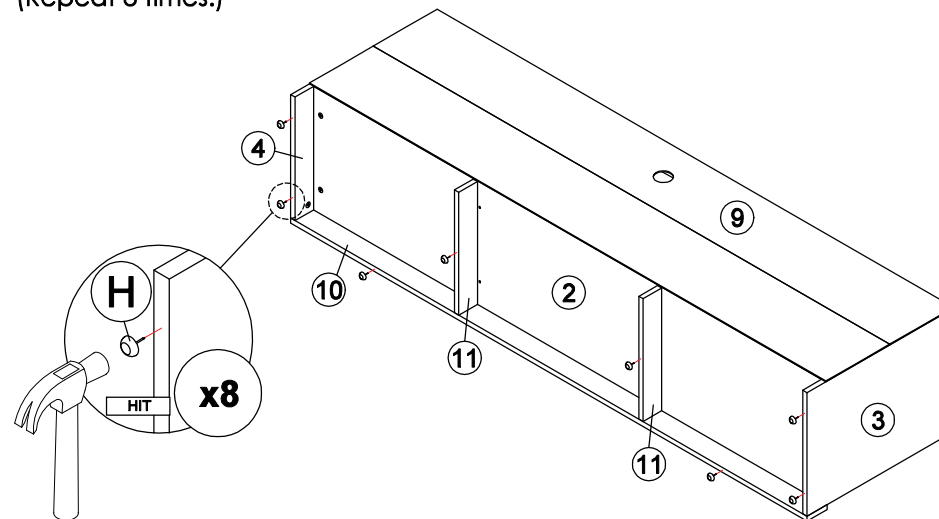
- Assemble panel (9) to entire body with hardware G.
(Repeat 30 times.)



MODEL : KADEN TV UNIT

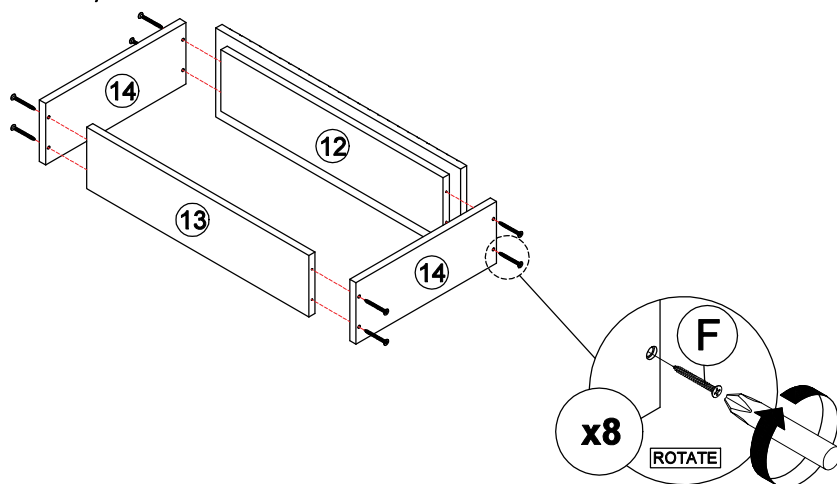
STEP 14

- Hit hardware H into bottom of panel (3), (4), (10) and (11).
(Repeat 8 times.)



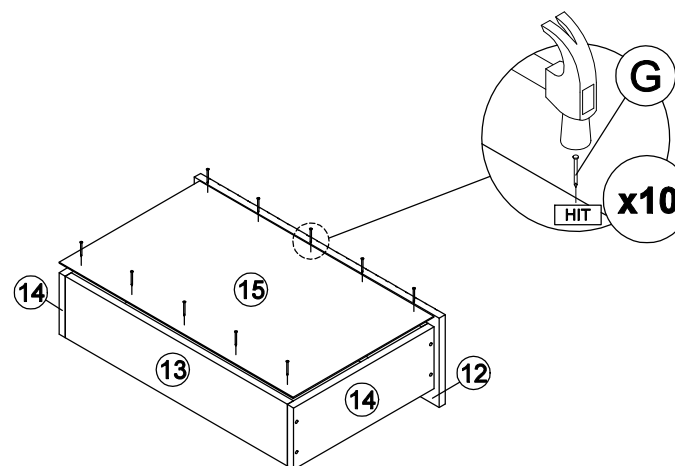
STEP 15

- Assemble panel (14) with panel (12) and (13)
by using hardware F.
(Repeat 8 times.)



STEP 16

- Assemble panel (15) to entire body with hardware G.
(Repeat 10 times.)

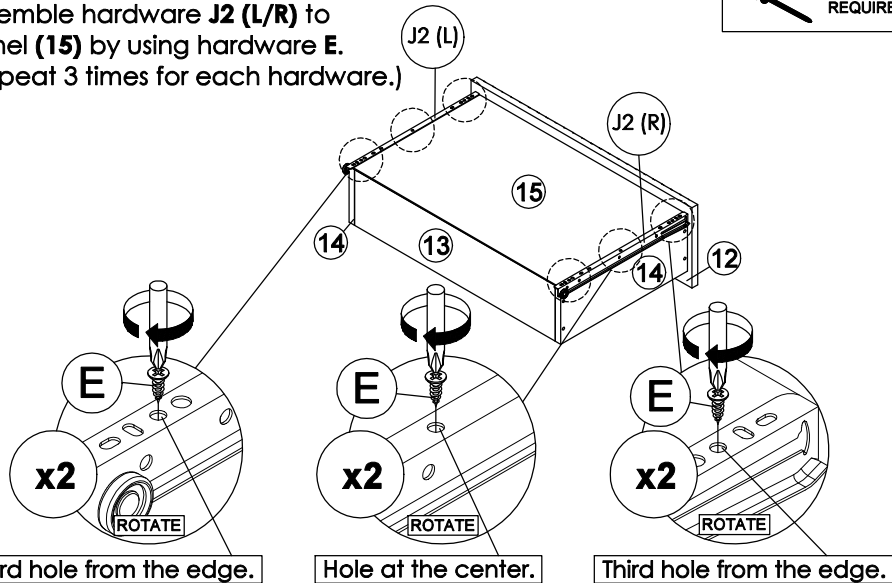


ASSEMBLY INSTRUCTIONS

PAGE: 6/6

STEP 17

- Assemble hardware **J2 (L/R)** to panel **(15)** by using hardware **E**.
(Repeat 3 times for each hardware.)



Third hole from the edge.

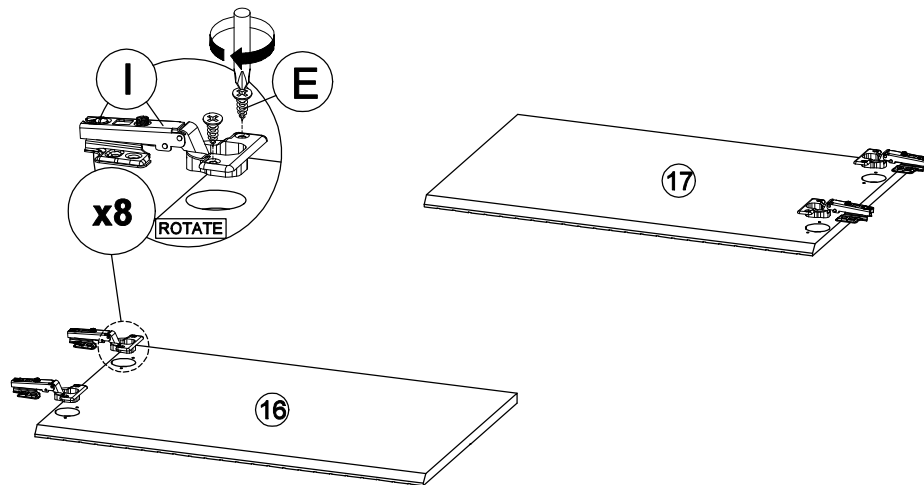
Hole at the center.

Third hole from the edge.

*Hardware **J2 (L/R)** shall be leaning against panel **(12)** when assembling.

STEP 19

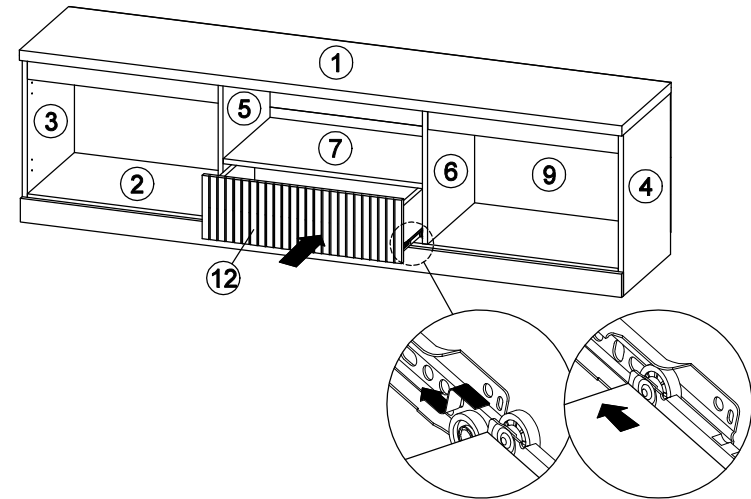
- Fix hardware **I** onto panel **(16)** and **(17)** by using hardware **E**.
(Repeat 2 times for each hardware.)



MODEL : KADEN TV UNIT

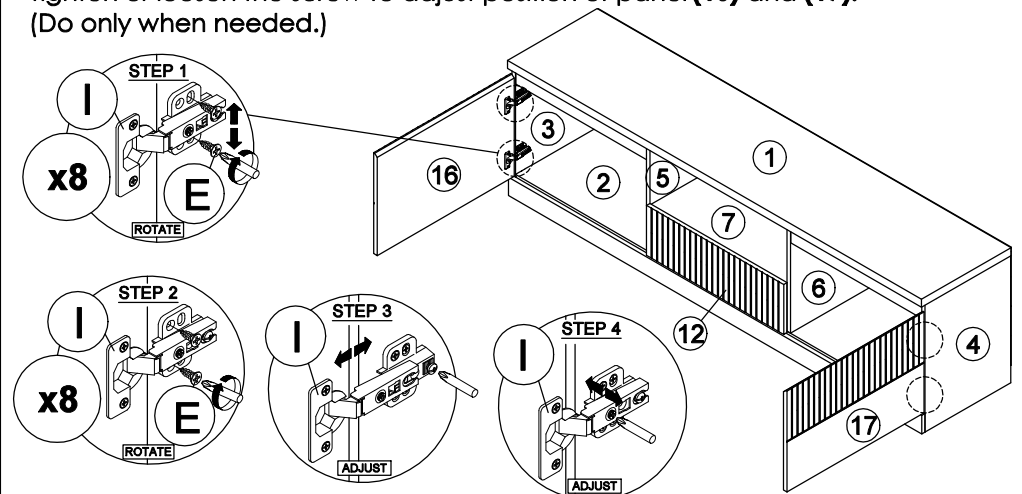
STEP 18

- Put all the drawer in place along the drawer slides.



STEP 20

- Fix hardware **I** into panel **(3)** and **(4)** by using hardware **E**.
(Repeat 4 times for each hardware.)
- Tighten or loosen the screw to adjust position of panel **(16)** and **(17)**.
(Do only when needed.)



* In this step hardware **I** have been assembled in panel **(16)** and **(17)**.