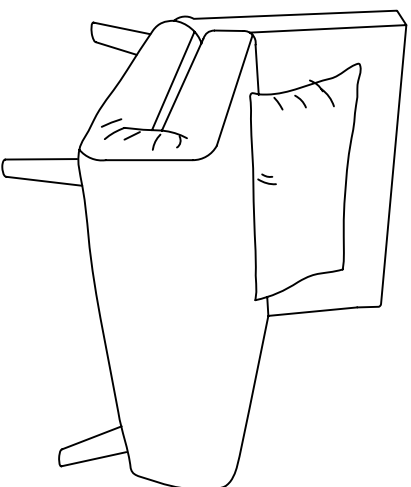


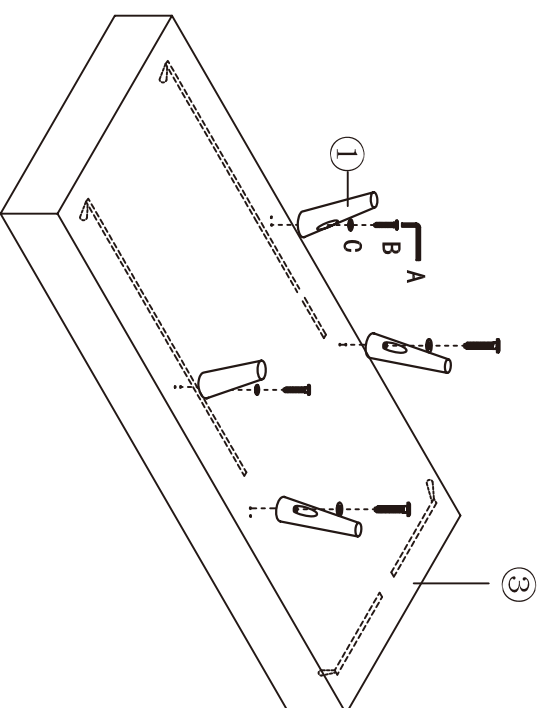
ASSEMBLY INSTRUCTION

MCASBBLF/MCSSBCNT/MCASBNTF/MCSSBGFR



ASSEMBLY INSTRUCTIONS

DIAGRAM 1



PARTS AND HARDWARE

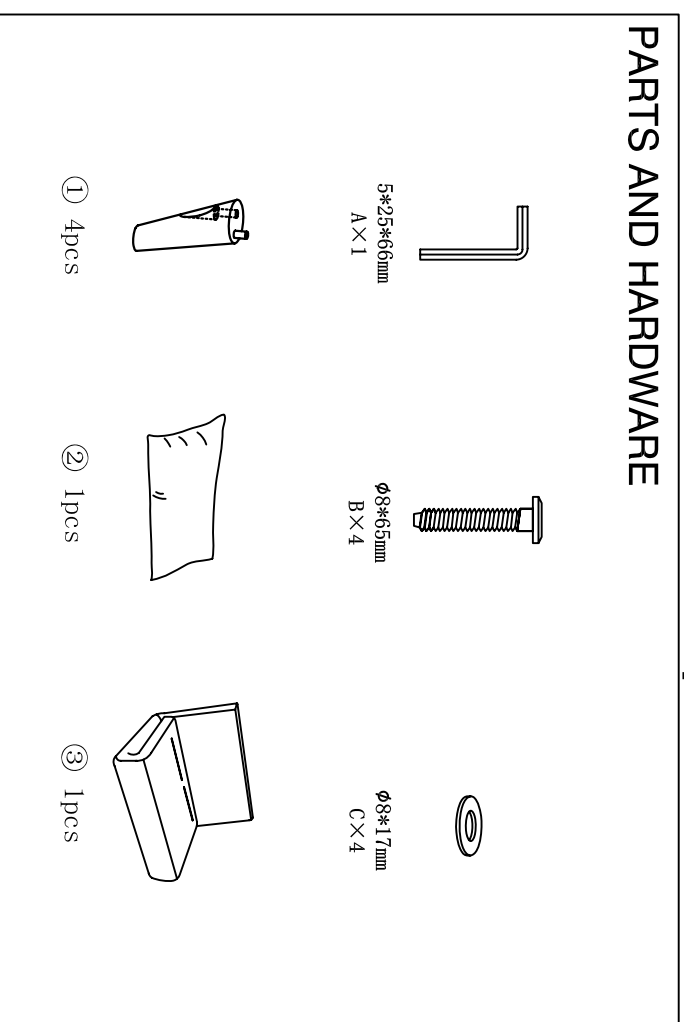
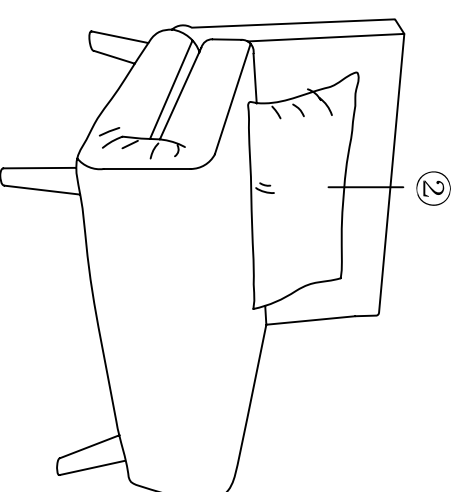


DIAGRAM 2



OPERATING YOUR UNIT

DIAGRAM 3

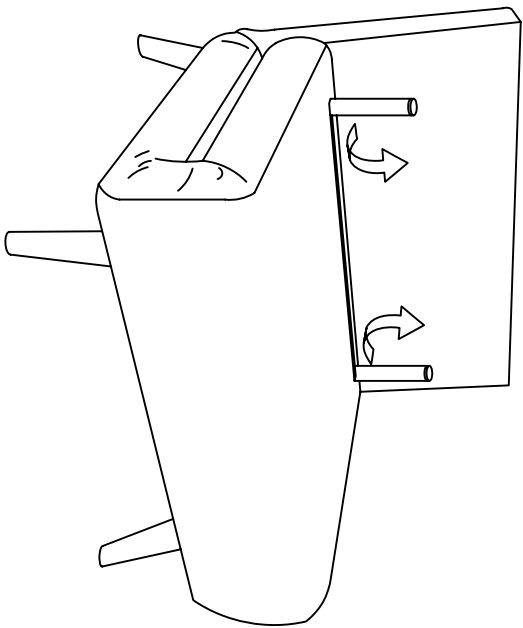


DIAGRAM 4

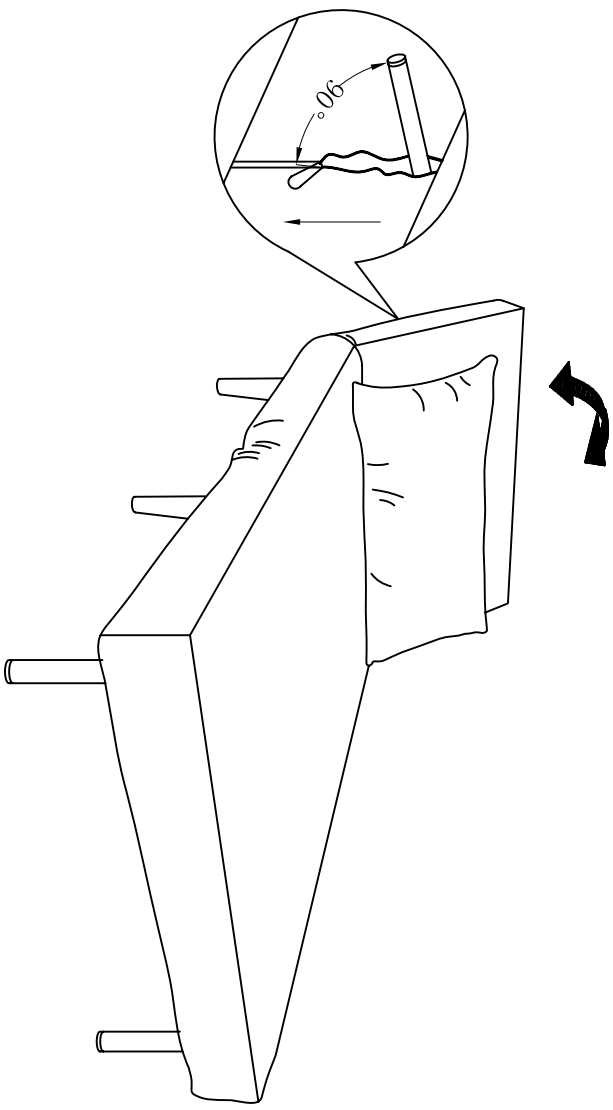


DIAGRAM 5

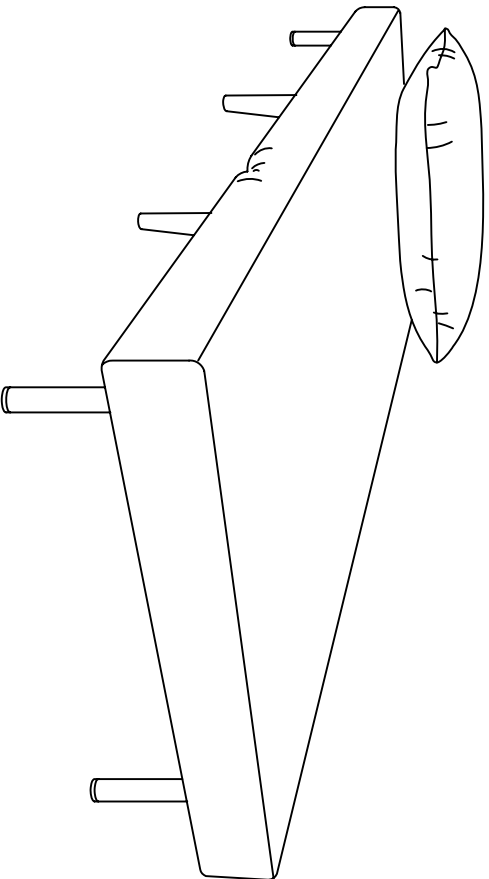


DIAGRAM 6