

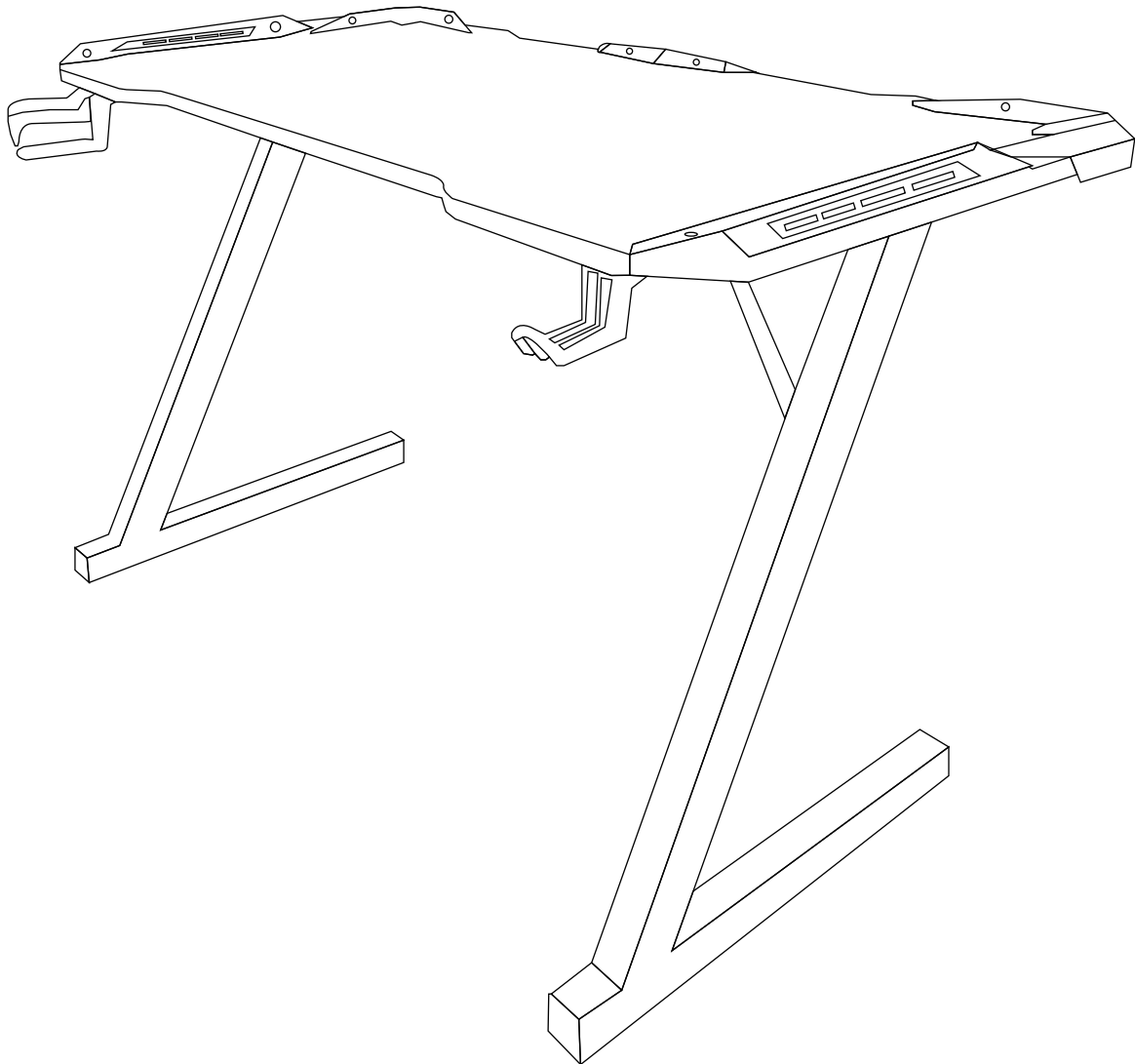
Gaming tables

Assembly instructions



Adult assembly is required
Read all instructions before assembly and use. Due to the presence of small parts during the assembly process, keep them out of reach of children until assembly is complete

6007



Adult assembly is required



! dangerous

Due to the presence of small parts during assembly, keep them out of the reach of children until assembly is complete. Do not allow children to play with the packaging materials of the product. To avoid the risk of choking, be sure to keep the plastic bag away from infants and children



Please install the product strictly in accordance with the instructions.

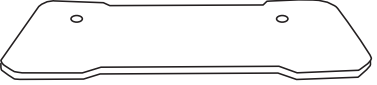
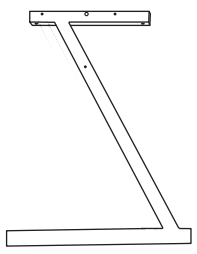
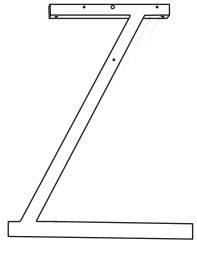

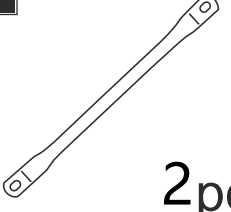

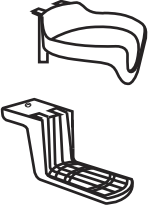
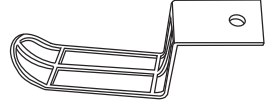

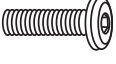
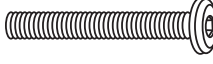
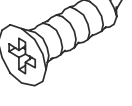
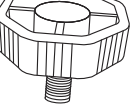




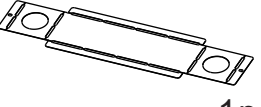

Read the instructions carefully. It only takes 120 minutes to install by following the instructions exactly



30min

Please inspect carefully to ensure that all parts inside the package are intact

Parts list

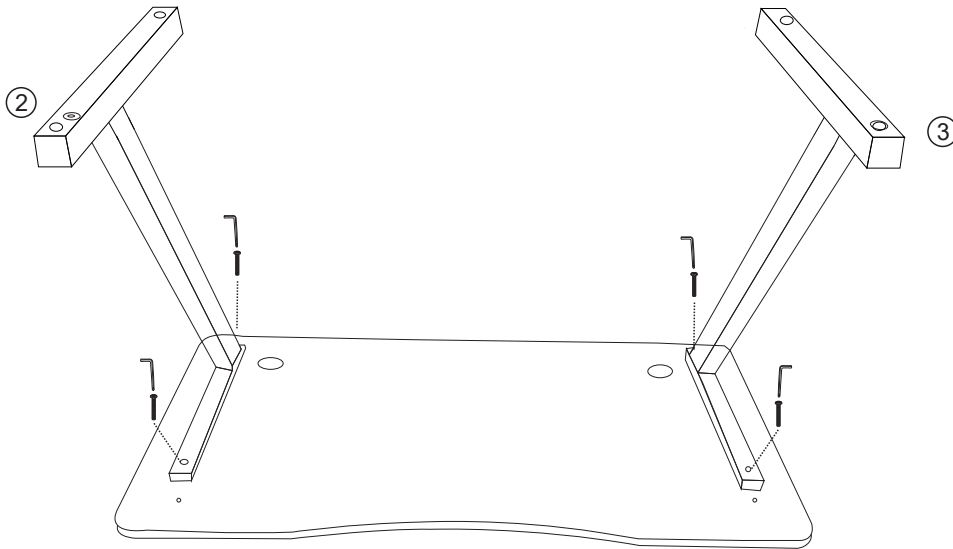
<p>1</p>  <p>1pc</p>	<p>2</p>  <p>1pc</p>	<p>3</p>  <p>1pc</p>	
<p>4</p>  <p>1pc</p>			
<p>5</p>  <p>2pcs</p>	<p>6</p> 	<p>7</p>  <p>1pc</p>	<p>8</p>  <p>1pc</p>
<p>9</p>  <p>8pcs</p>	<p>10</p> <p>M6x12mm</p>  <p>10pcs</p>	<p>11</p> <p>M6x30mm</p>  <p>4pcs</p>	<p>12</p>  <p>12pcs</p>
<p>13</p>  <p>4pcs</p>	<p>14</p>  <p>2pcs</p>	<p>15</p>  <p>1pc</p>	<p>16</p> 
<p>17</p> 	<p>18</p>  <p>1pc</p>	<p>19</p>  <p>1pc</p>	

Installation Steps

Step 1

Attach the table legs (2) and (3) to the tabletop. Do not tighten the screws

⑪ 4 pcs
(M6x30mm)

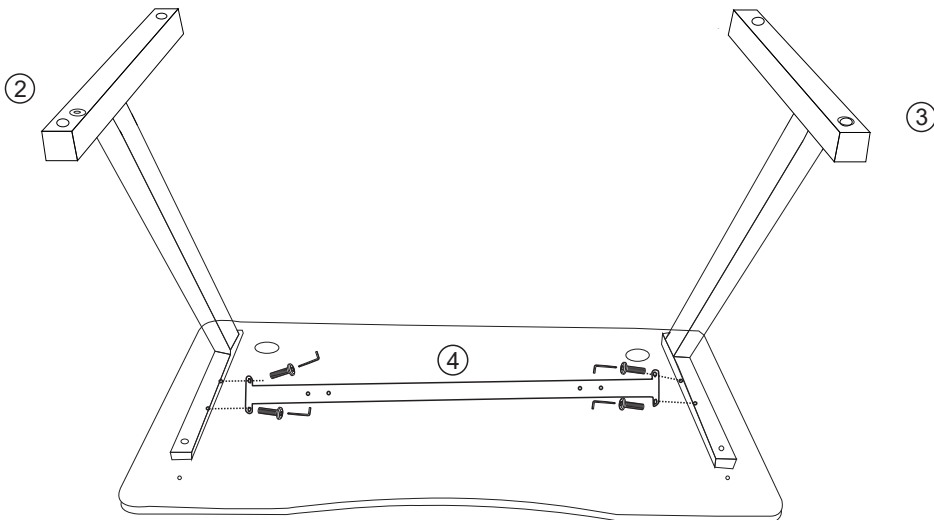


Please place the tabletop on cardboard or carpet before installation to prevent the tabletop from being damaged by friction


Step 2

Install the part (4) on the desktop. Do not tighten the screws

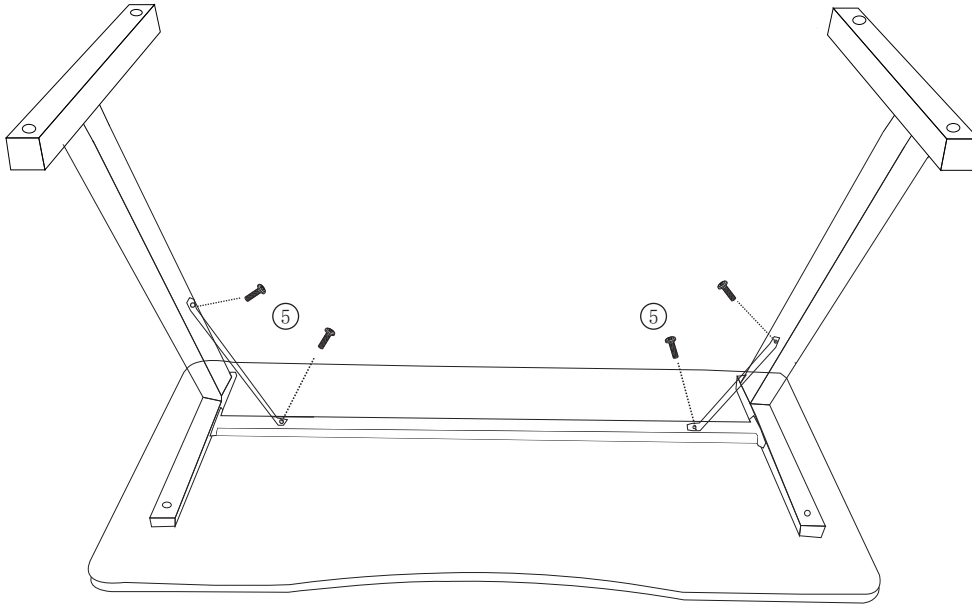
⑩ 4 pcs
(M6x12mm)





Step 3

(10)		4pcs
	(M6x12mm)	

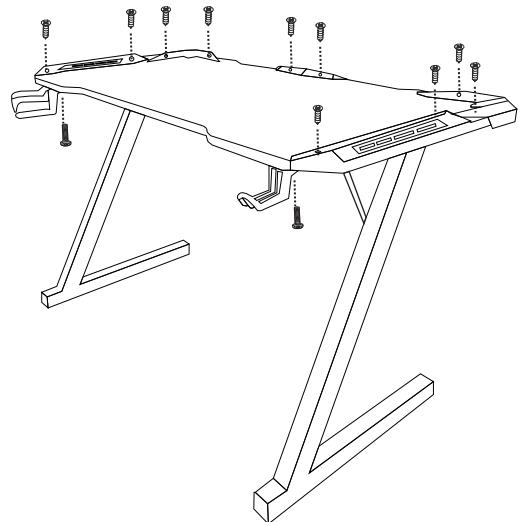
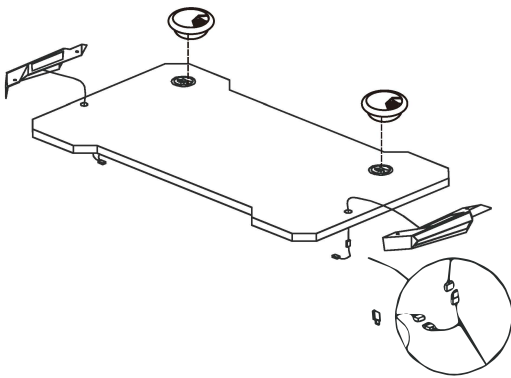
Install the part (5) on the desktop. Tighten all the screws



Step 4

(10)		2pcs
	(M6x12mm)	
(12)		10pcs





Install (14) and (6) to your desktop

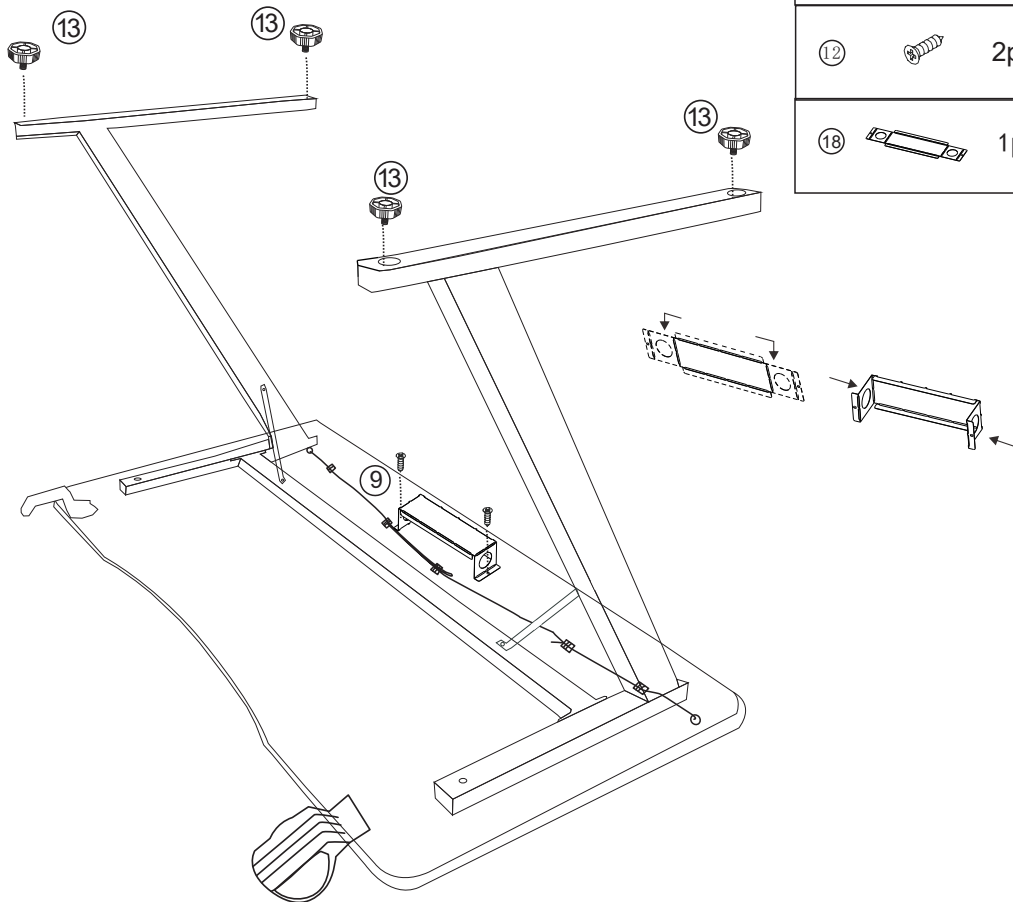


The connecting wire is connected from the bottom up to the armored lamp

Step 5

Attach the part (13) to the table legs, and then use (9) to arrange the wiring harness. The wire box holder can be fixed in any suitable position

⑬		4 pcs
⑨		8 pcs
⑫		2 pcs
⑱		1 pc



Step 6 finish

