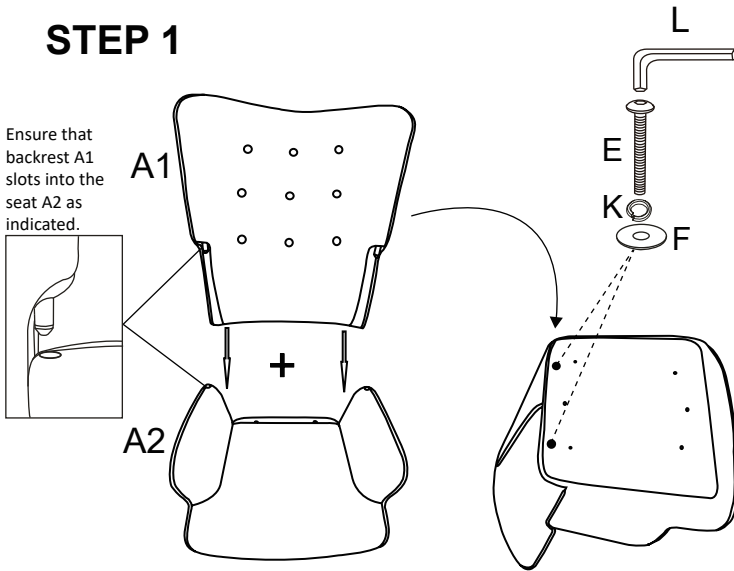


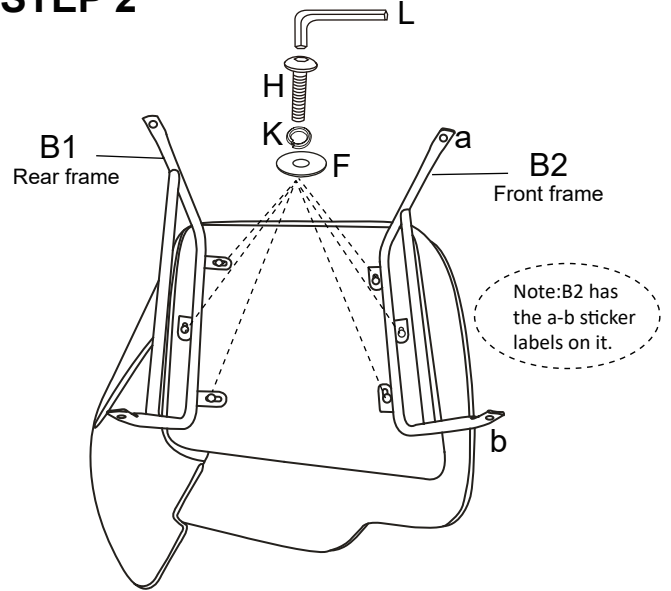
A1 x1pc 	A2 x1pc 	B1 x1pc 	B2 x1pc 	C x1pc Right leg 	E x2pcs 	G x4pcs 	H x6pcs 	L x1pc 
		Rear frame	Front frame	D x1pc Left leg 	F x12pcs 		K x12pcs 	J x2pcs 

## STEP 1

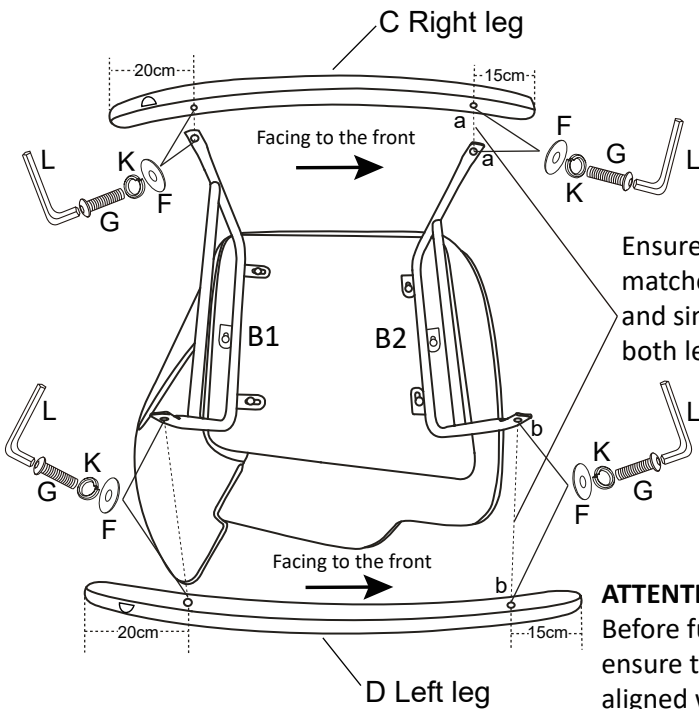
Ensure that backrest A1 slots into the seat A2 as indicated.



## STEP 2



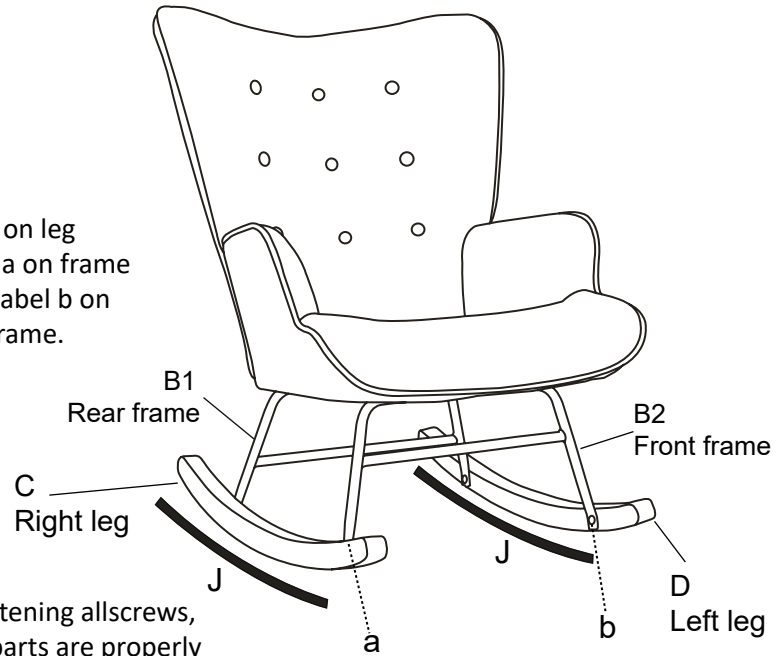
## STEP 3



### ATTENTION

Before fully tightening all screws, ensure that all parts are properly aligned with their connections.

## COMPLETED ASSEMBLY



## WARNINGS

- Do not stand on the product. Do not use it as a step ladder.
- Do not use the product until all screws are securely fastened.
- Do not use a knife to open any parts of the packaging.
- Weight limit 95kgs.