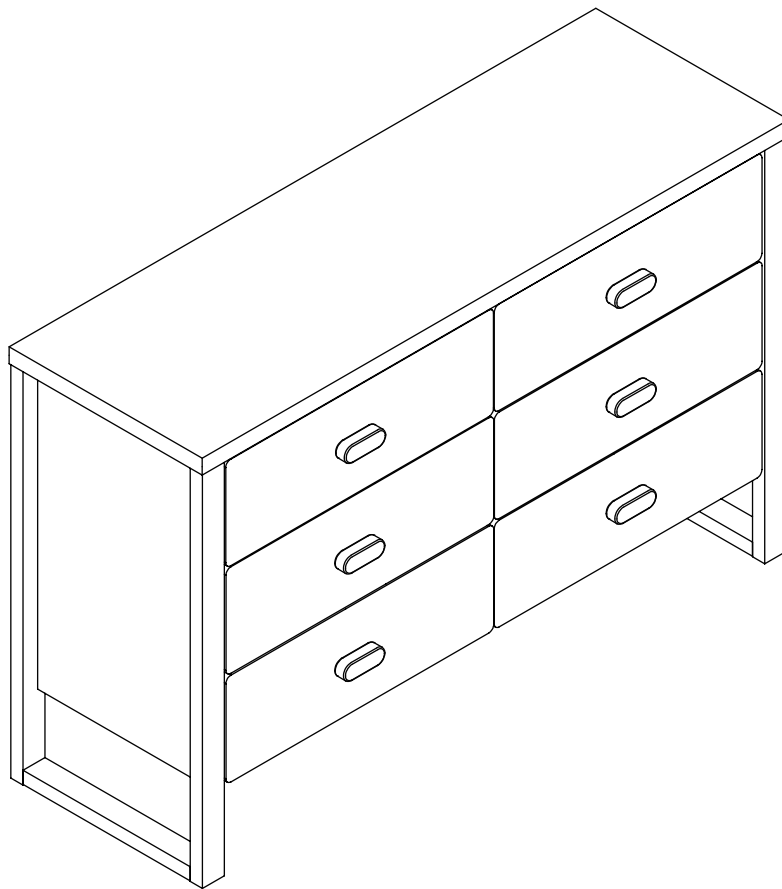
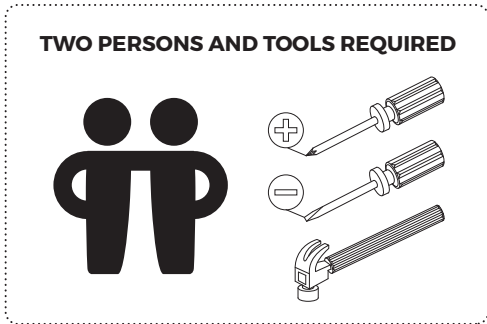


ASSEMBLY INSTRUCTIONS

Please read the instructions carefully before assembly and keep it for future reference.



CHEST OF DRAWERS

Model : COD-CECI-6D

Version 1.0

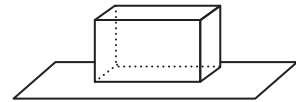
Assembly and Maintenance Tips



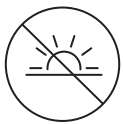
1. Keep children and pets away from the working area as small parts may cause choking if swallowed.



2. Some furniture may require two persons to assemble for safety reasons.



3. To protect the surfaces of the furniture, lay the parts and perform the assembly on top of a soft mat (such as a carpet or cardboard).



4. Keep the furniture away from direct sunlight to avoid fading.



5. Use a soft, damp cloth to clean or wipe surfaces.



6. Never use ammonia-based or abrasive cleaning products to clean as they may damage the finish.



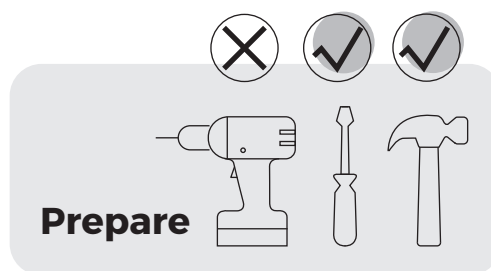
7. Do not place liquids or wet items on furniture as they may leave water marks/stains. Always use a coaster or runner to protect the furniture surface.

Assembly Checklist



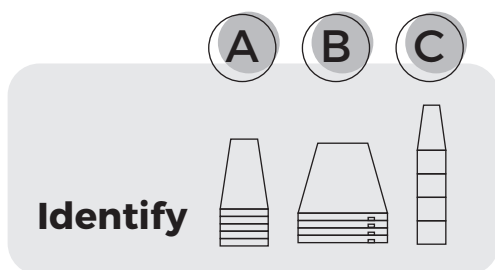
Read

Read through the instructions carefully before you begin.



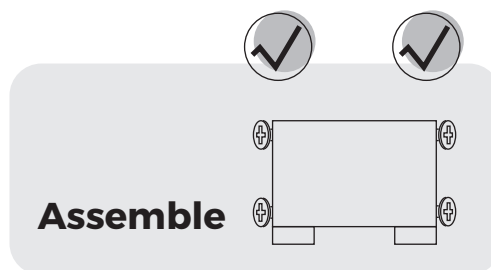
Prepare

Make sure you have all the required tools. Never use power tools unless instructed.



Identify

Identify and lay out all of the components before you begin assembly.



Assemble


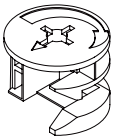


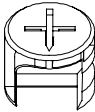
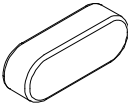
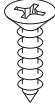
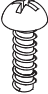
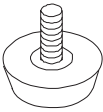

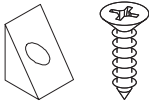



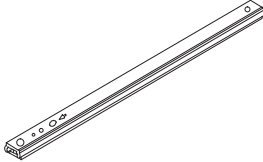
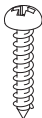
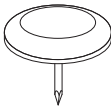
Please fully tighten all screws during the assembly process unless instructed not to do so.

Helpful Information

- ! Never use power tools unless specifically instructed. They can damage your components or hardware if used incorrectly.
- ! The most common mistakes made during assembly are using the wrong hardware or getting components back to front.
- ! When assembling the product, it is recommended to do so on top of a soft surface such as a carpet or cardboard to avoid scratches and damages to the furniture surfaces.
- ! Bulky items such as wardrobes should be assembled in the location when the assembled piece will be used to avoid moving them through doors or tight passages.
- ! Never use any glue until you are certain that the parts belong together.
- ! Periodically check that all connections are secured and follow all care and maintenance instructions stated.
- ! If you encounter any assembly difficulties or missing components and/or hardware, please contact our Customer Support for further assistance.

Hardware List

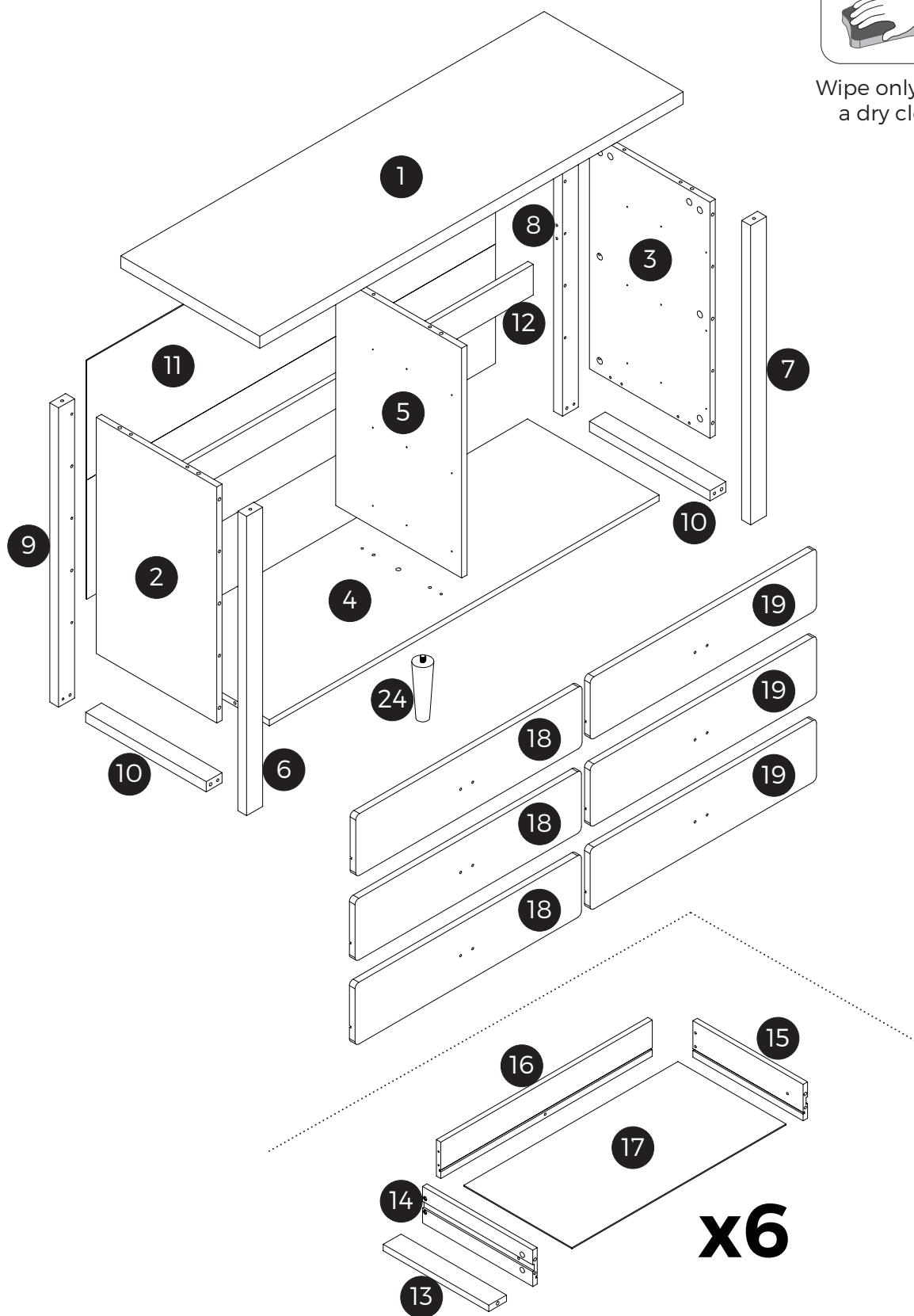
Please ensure that all parts and hardware are in the packaging contents. If there are any missing parts and/or hardware, please contact our Customer Support as soon as possible.

<p>Part A 60pcs 7x35mm</p> 	<p>Part B 36pcs 15x12mm</p> 	<p>Part C 28pcs Ø6x30mm</p> 	<p>Part D 34pcs M4x40mm</p> 
<p>Part E 24pcs 12x10mm</p> 	<p>Part F 6pcs</p> 	<p>Part G 36pcs M3x12mm</p> 	<p>Part H 12pcs M4x11mm</p> 
<p>Part I 12pcs M4x20mm</p> 	<p>Part J 1pc</p> 	<p>Part K 20pcs</p> 	<p>Part L 12pcs M3x14mm</p> 
<p>Part M 2pcs</p> 	<p>Part N 2pcs</p> 	<p>Part O 2pcs M4x14mm</p> 	<p>Part P 12pcs 278mm</p> 
<p>Part Q 2pcs M4x30mm</p> 	<p>Part R 4pcs</p> 		

Parts List



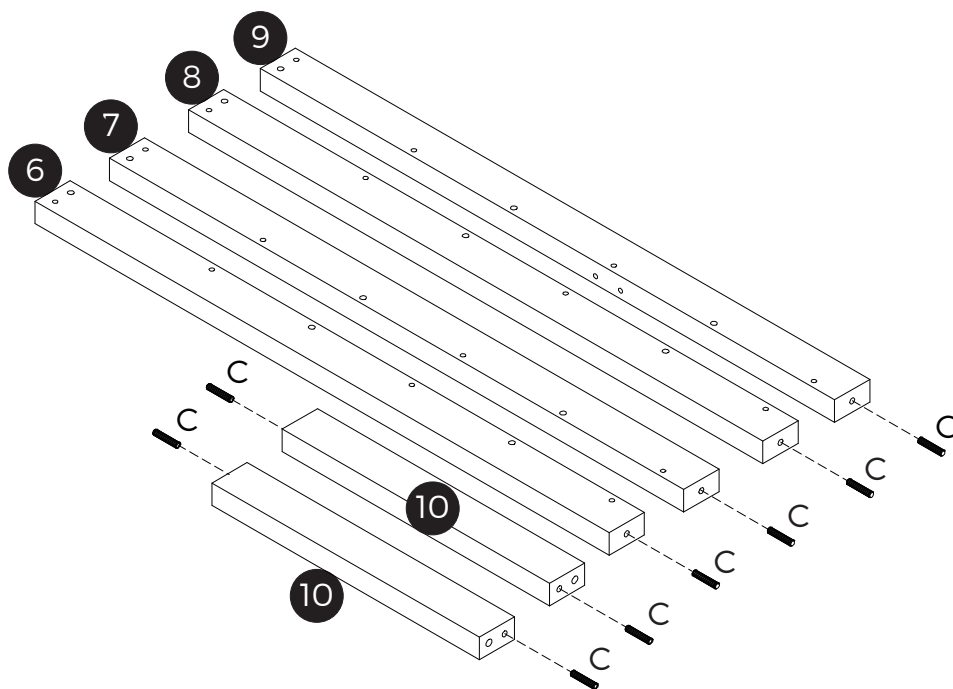
Wipe only with a dry cloth



STEP 1

Part C

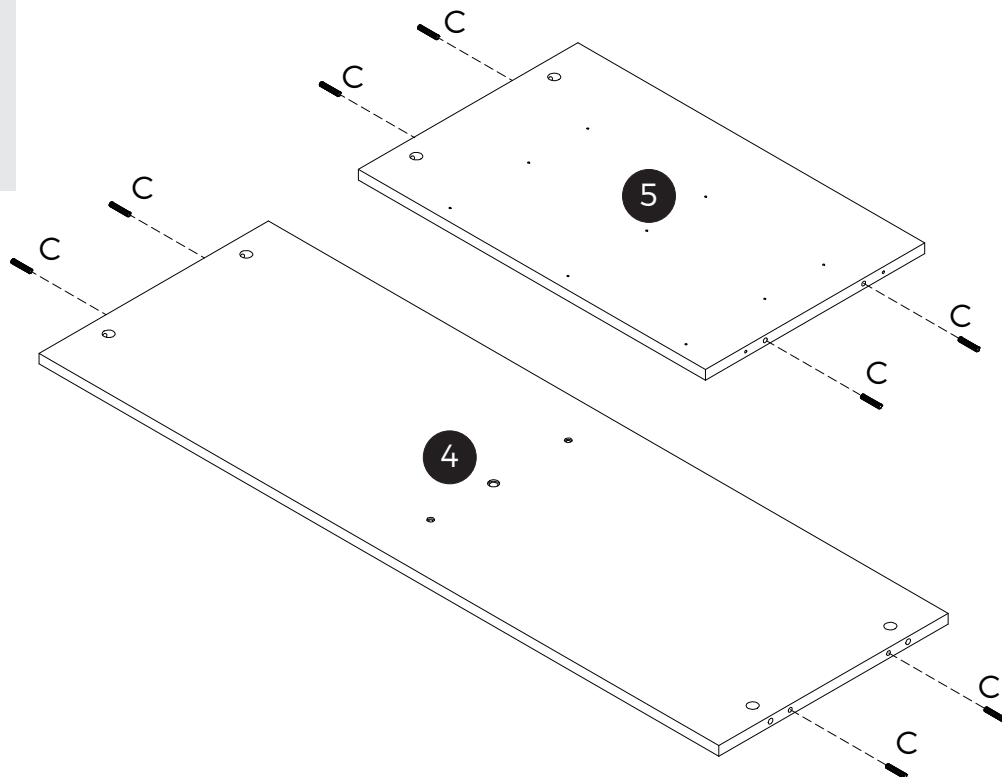
8pcs
Ø6x30mm



STEP 2

Part C

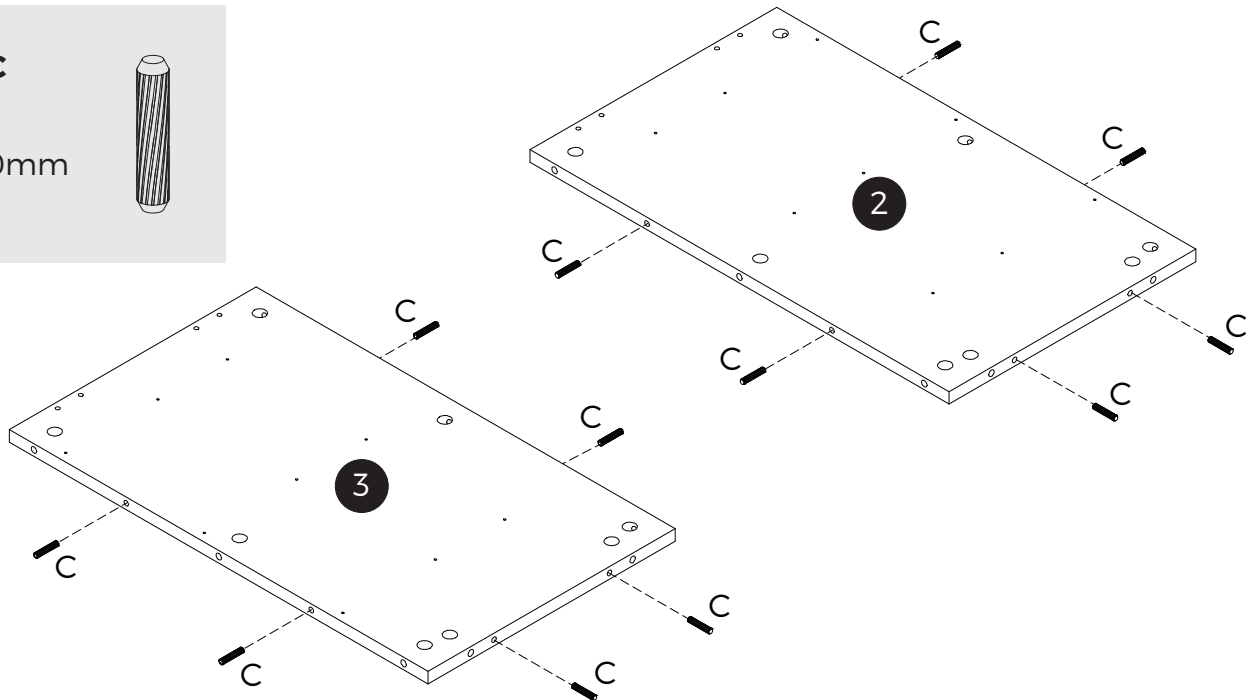
8pcs
Ø6x30mm



STEP 3

Part C

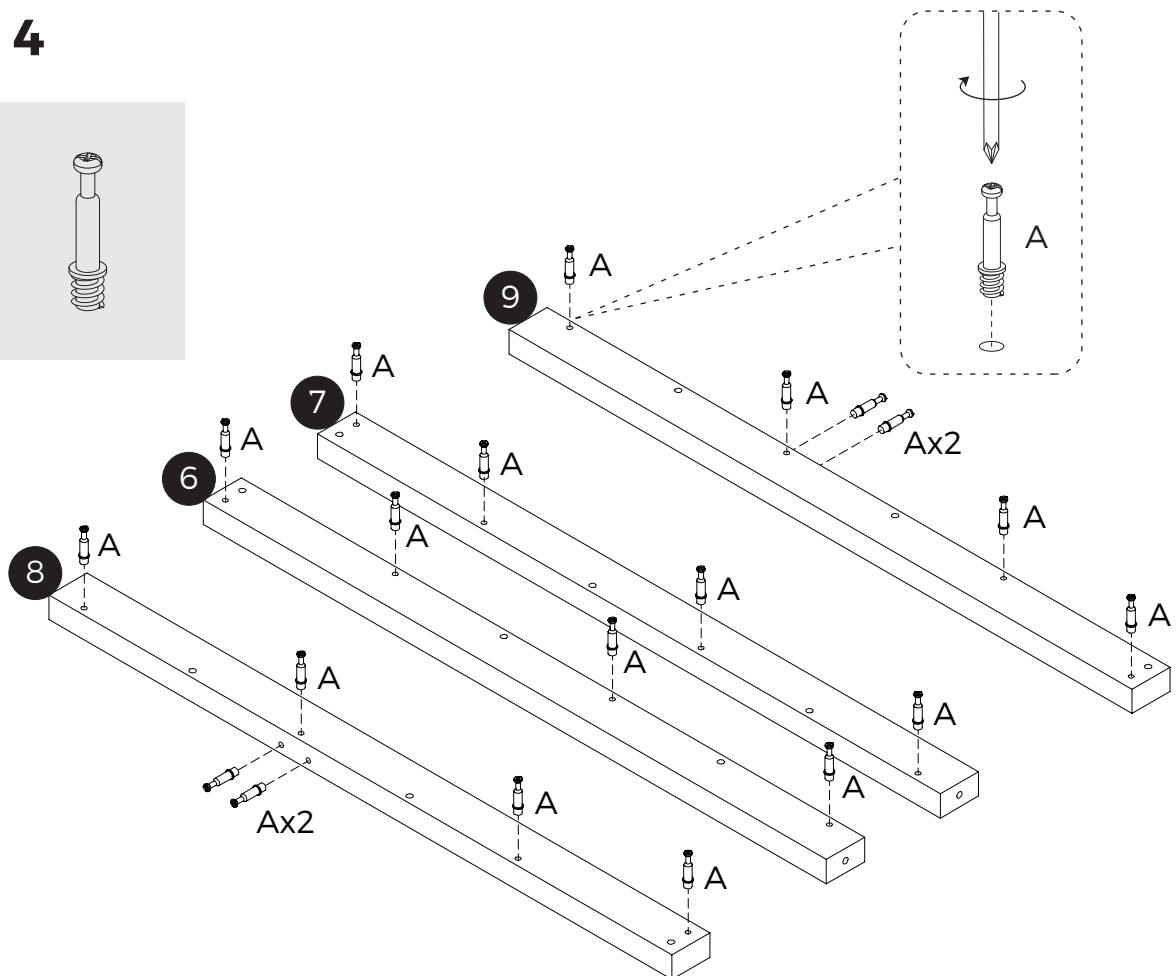
12pcs
Ø6x30mm



STEP 4

Part A

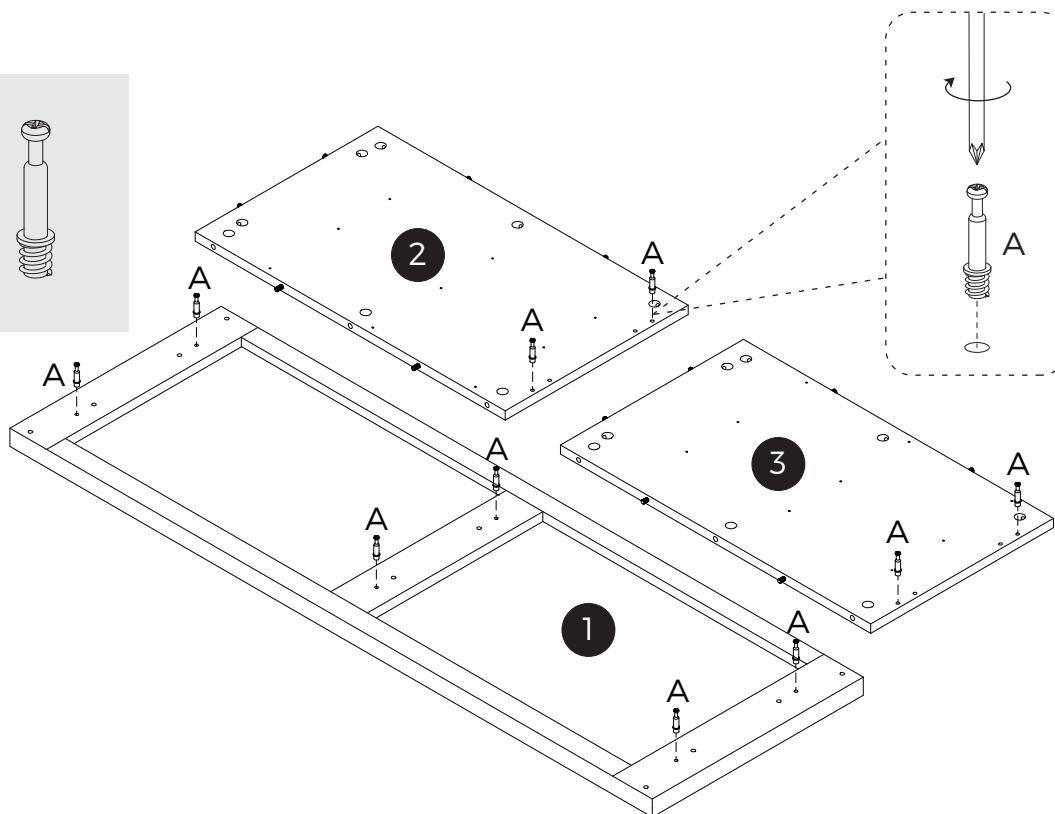
20pcs
7x35mm



STEP 5

Part A

10pcs
7x35mm



STEP 6

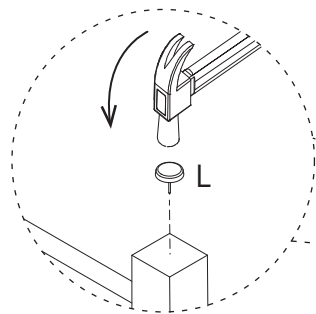
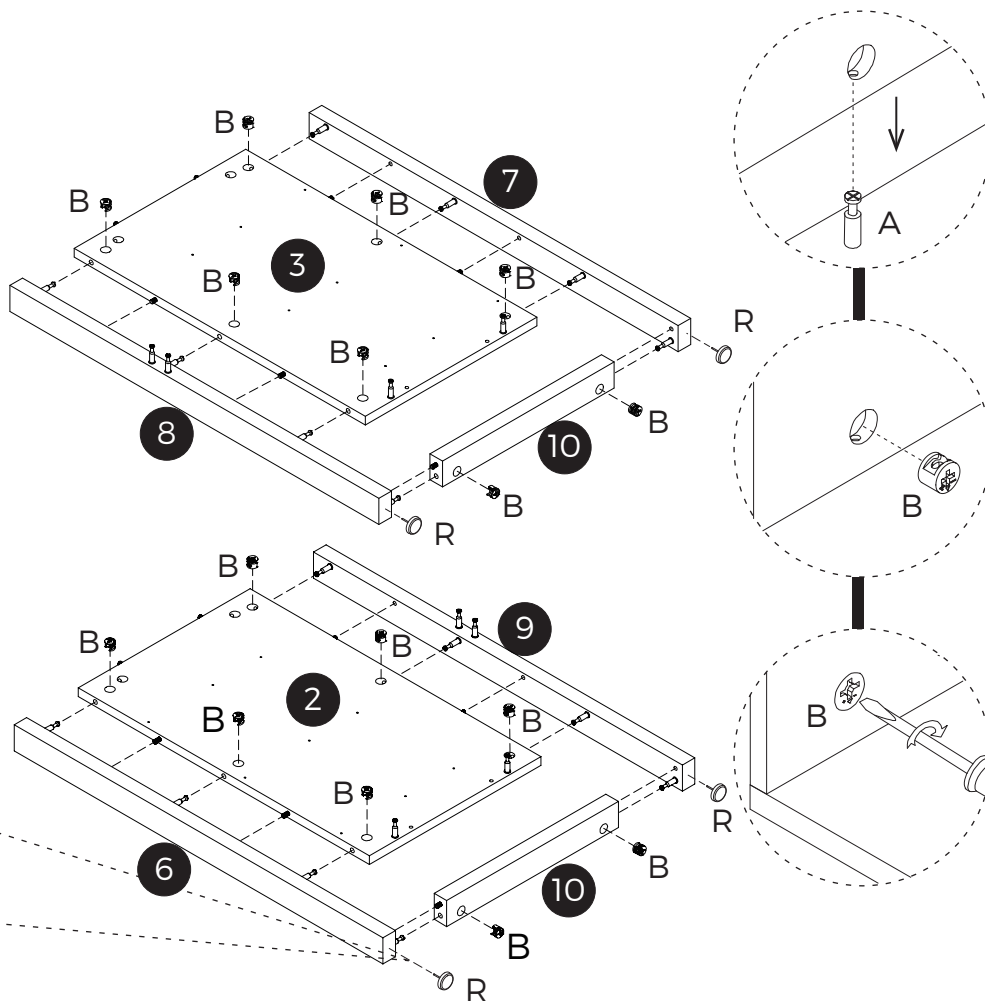
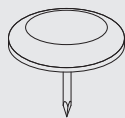
Part B

16pcs
7x35mm



Part R

4pcs



STEP 7

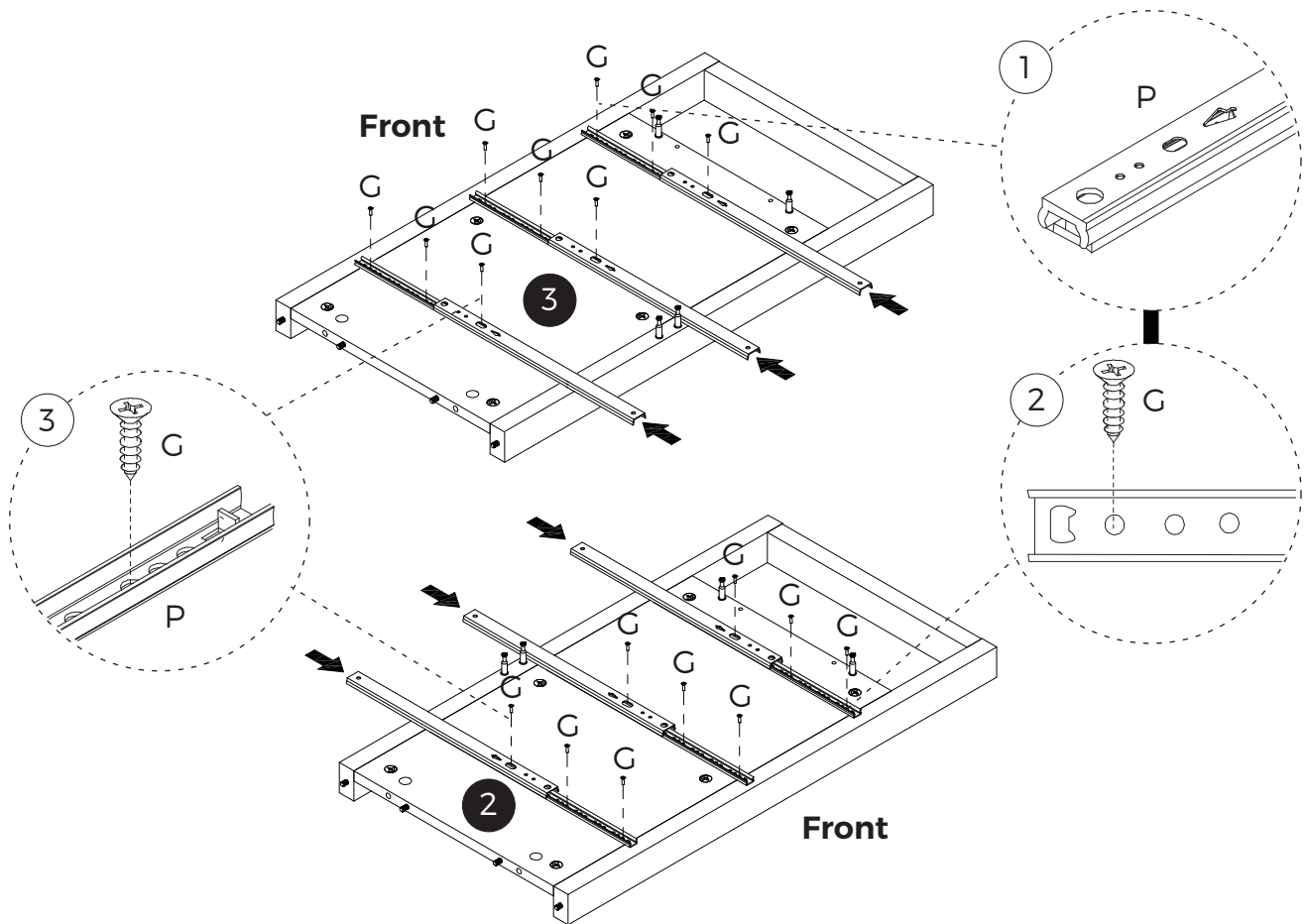
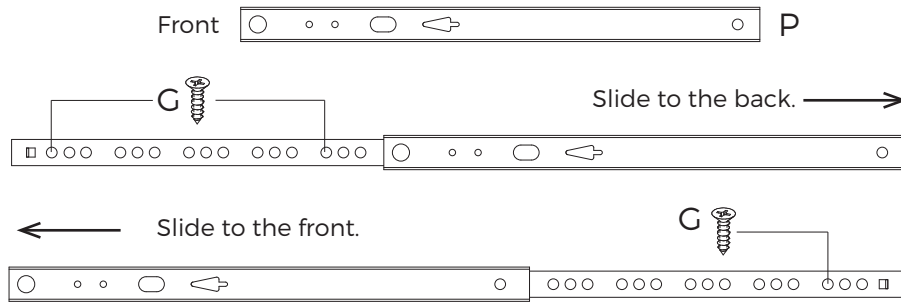
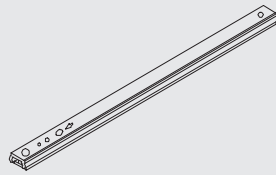
Part G

18pcs
M3x12mm



Part P

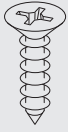
6pcs
278mm



STEP 8

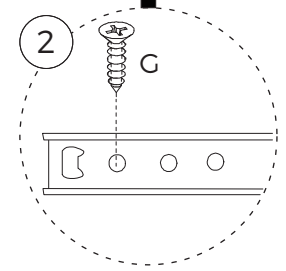
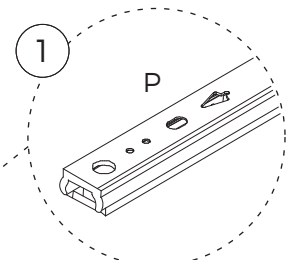
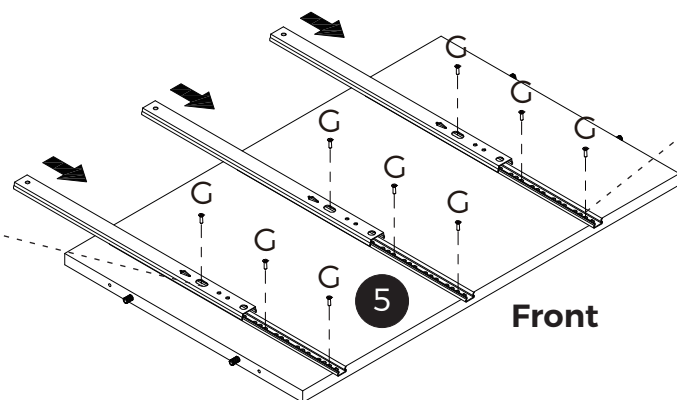
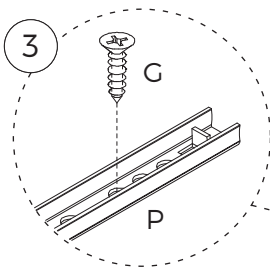
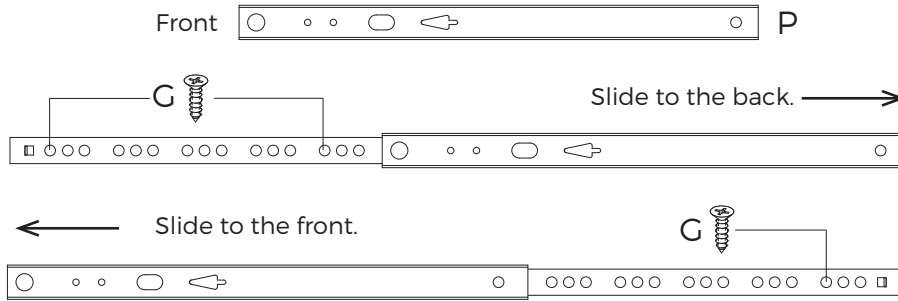
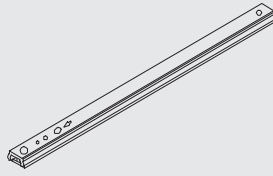
Part G

18pcs
M3x12mm

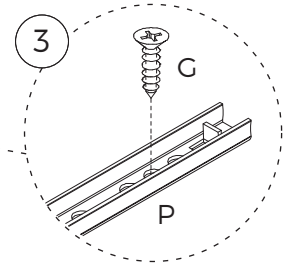
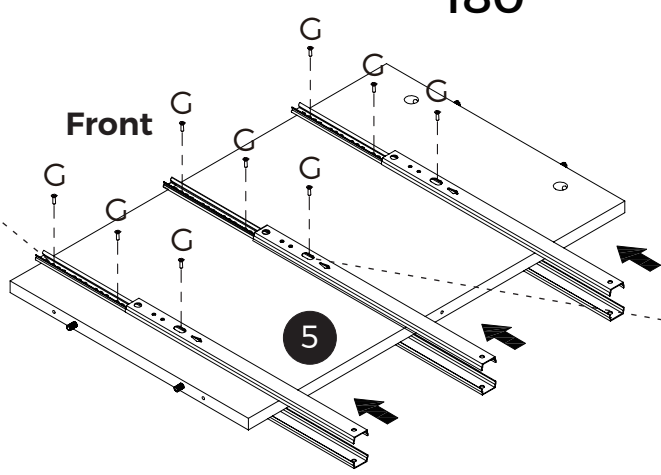
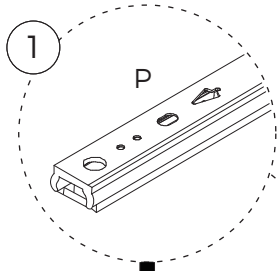


Part P

6pcs
278mm



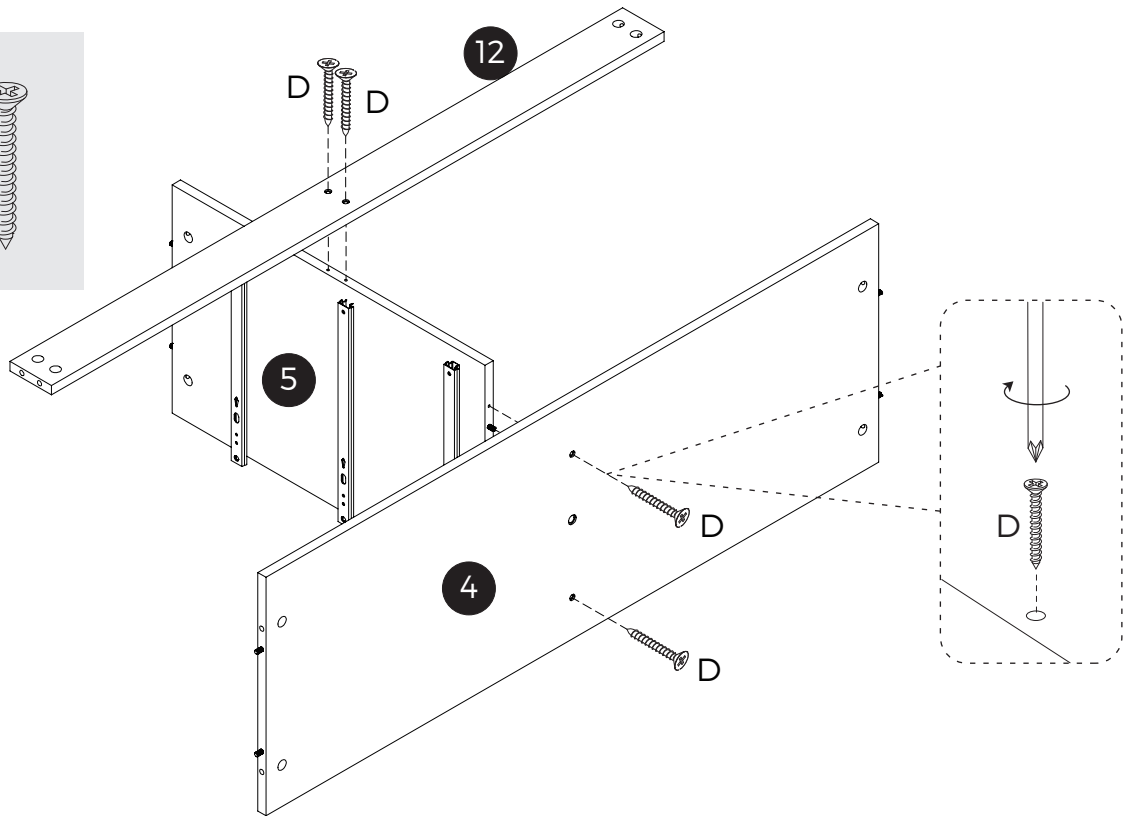
180°



STEP 9

Part D

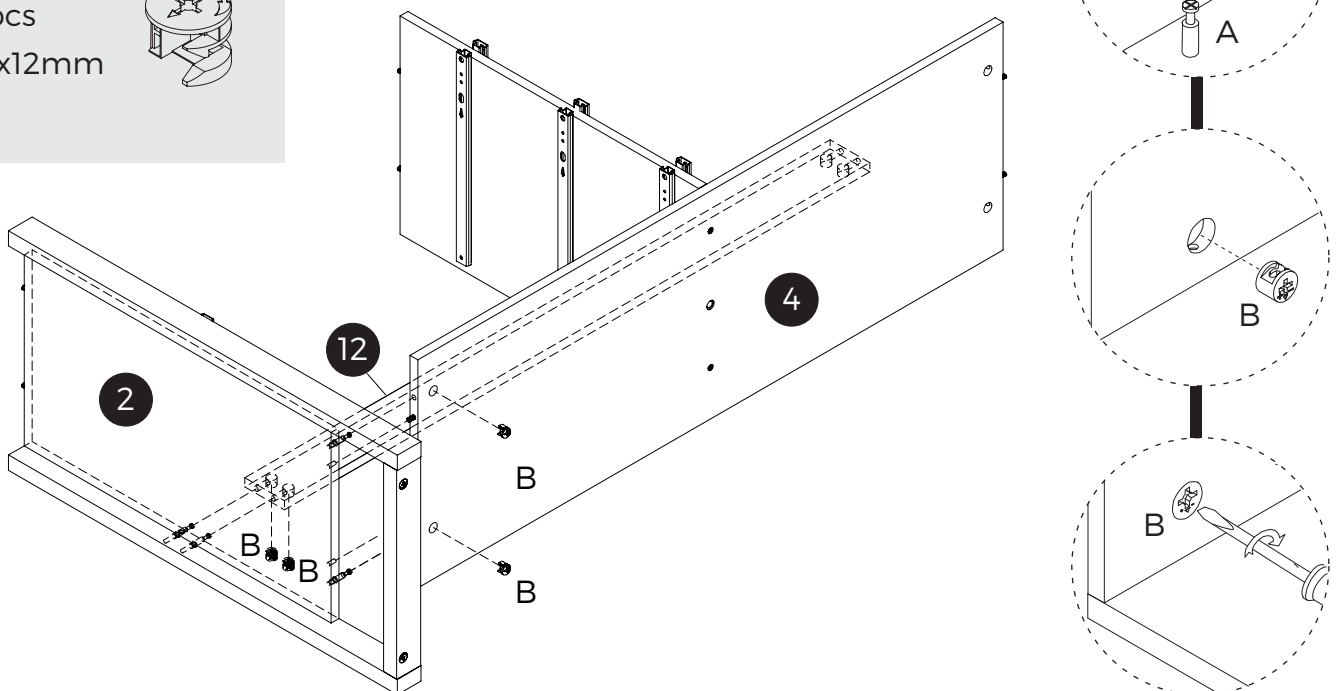
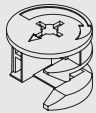
4pcs
M4x40mm



STEP 10

Part B

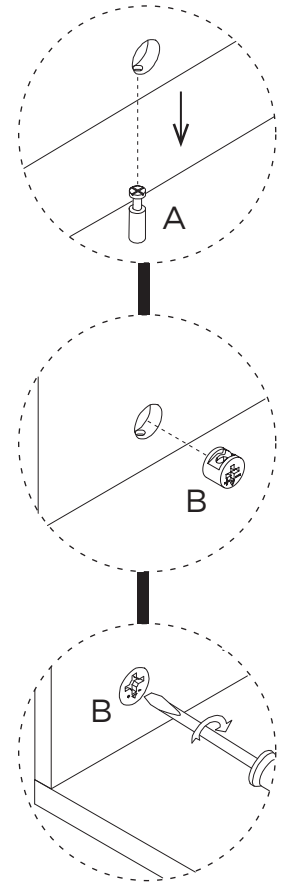
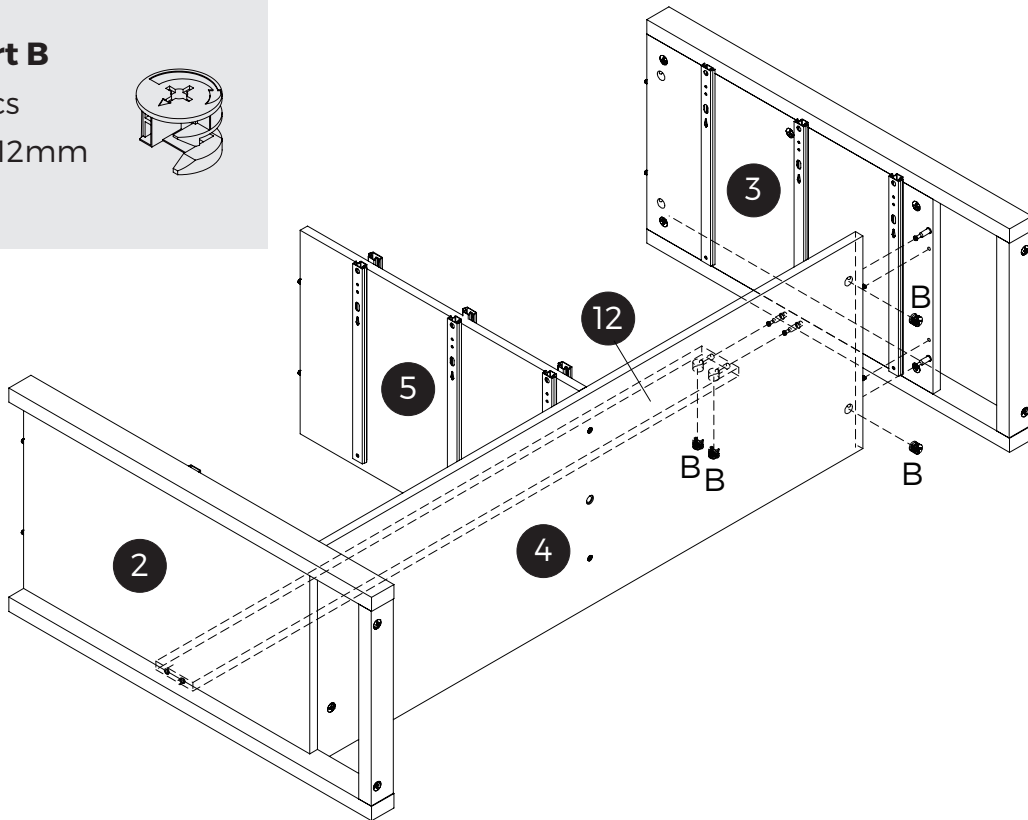
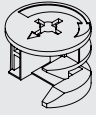
4pcs
15x12mm



STEP 11

Part B

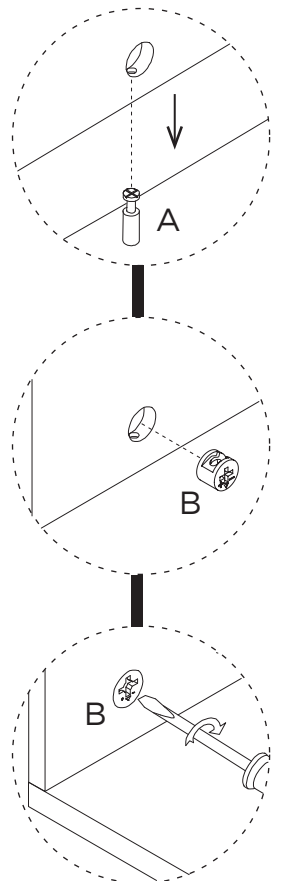
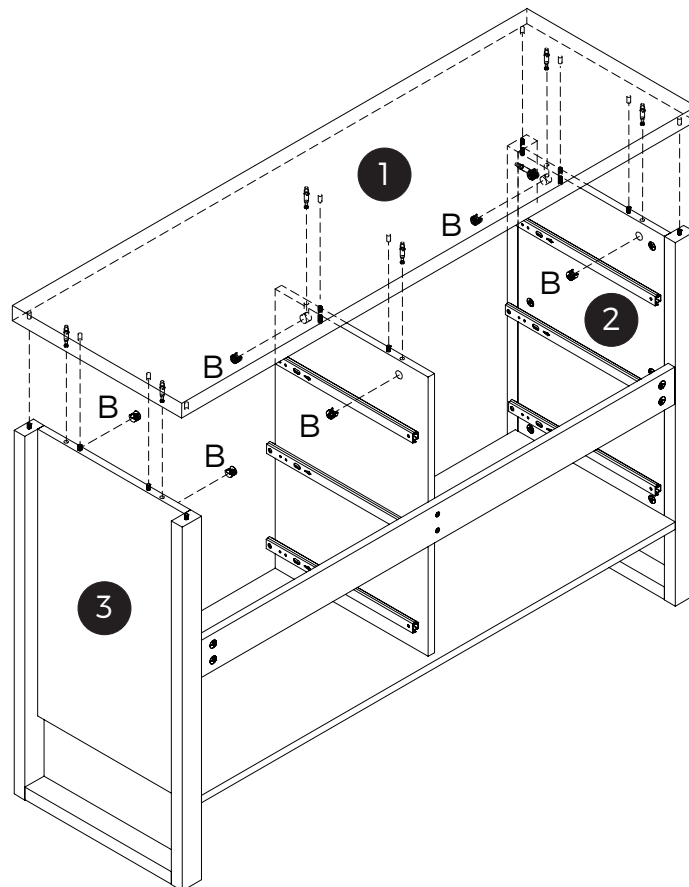
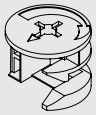
4 pcs
15x12mm



STEP 12

Part B

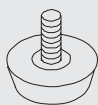
6 pcs
15x12mm



STEP 13

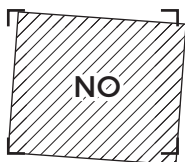
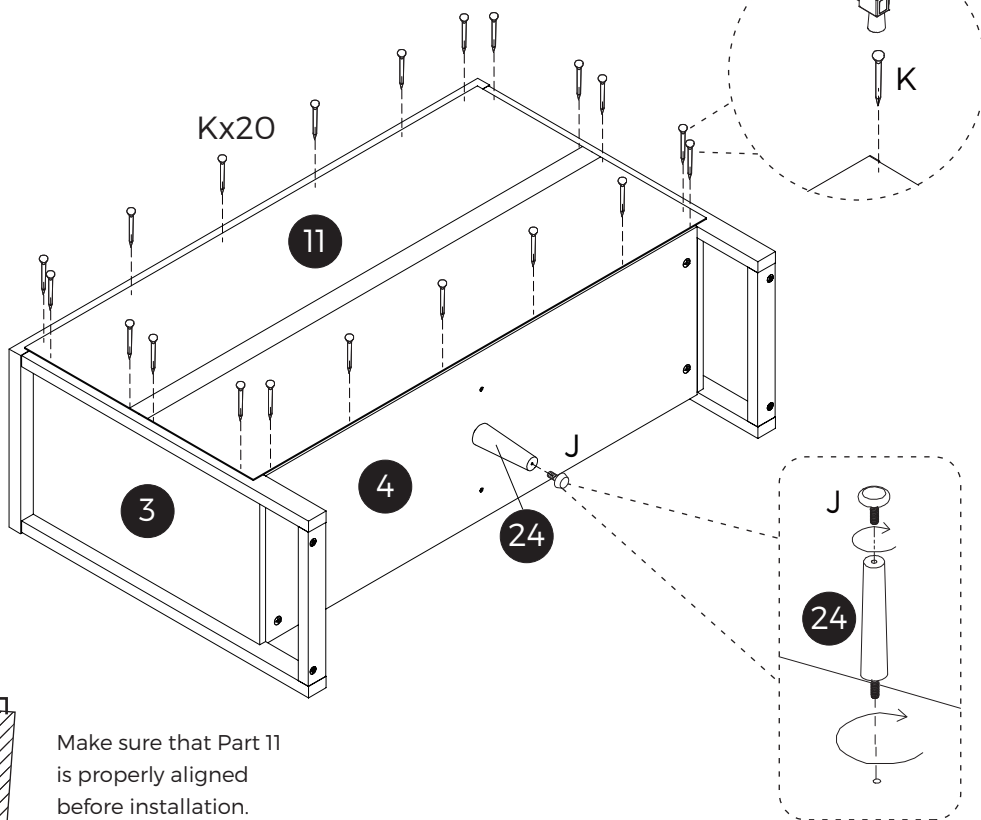
Part J

1pc



Part K

20pcs



Make sure that Part 11 is properly aligned before installation.

STEP 14

Part O

2pcs

M4x14mm



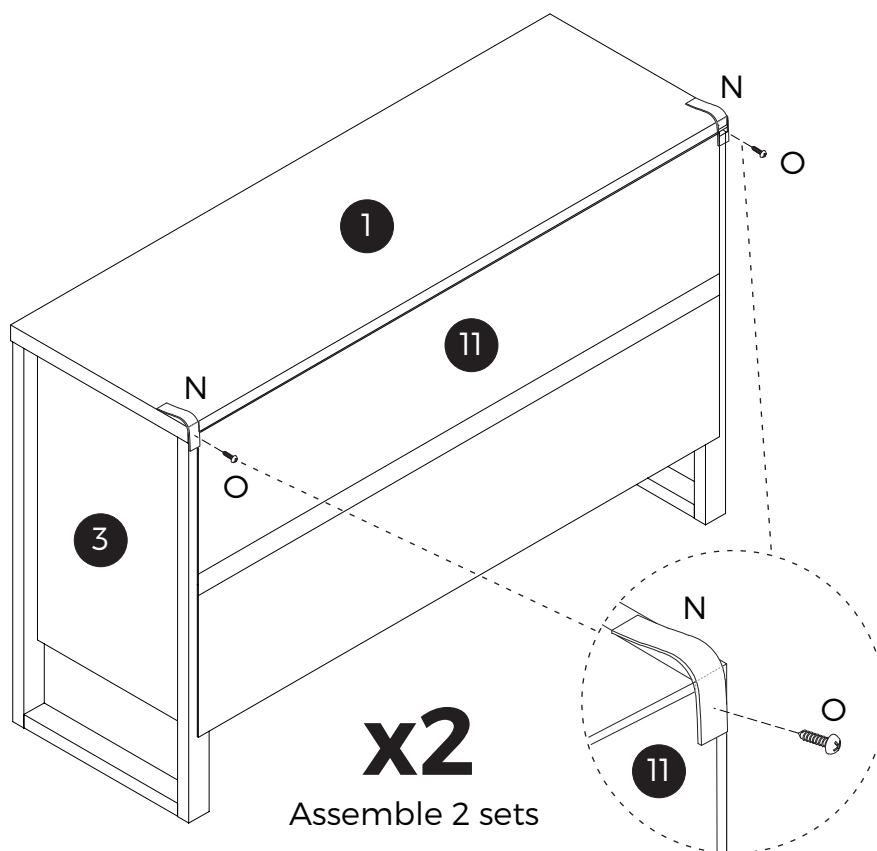
Part N

2pcs



OPTIONAL •

Install Part N only if you wish to secure the product to a wall. See Step 18.



STEP 15

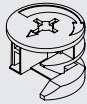
Part A

30pcs
7x35mm



Part B

6pcs
15x12mm



Part E

24pcs
12x10mm



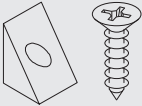
Part D

30pcs
M4x40mm



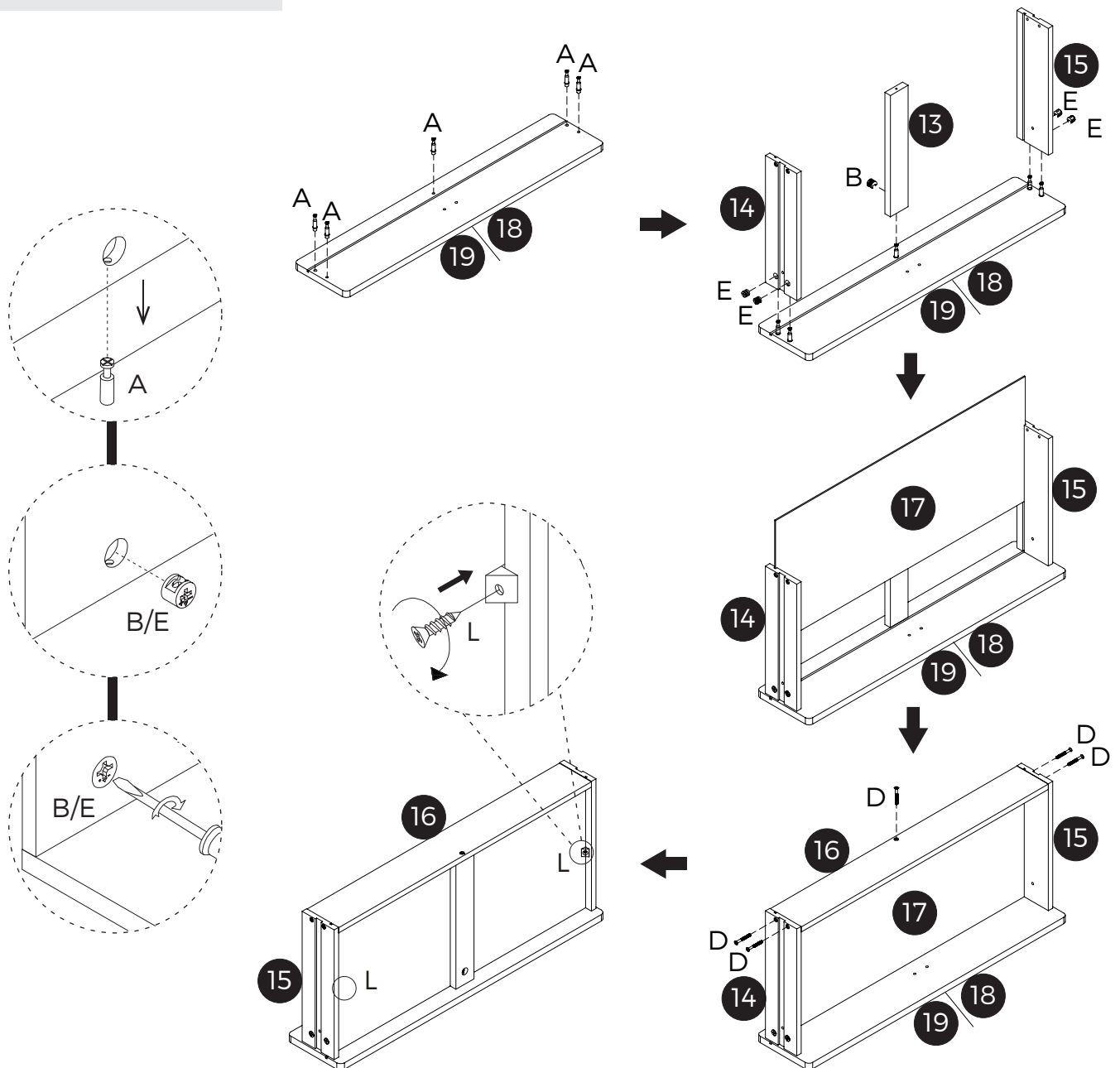
Part L

12pcs
M3x14mm



x6

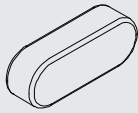
Assemble 6 drawers



STEP 16

Part F

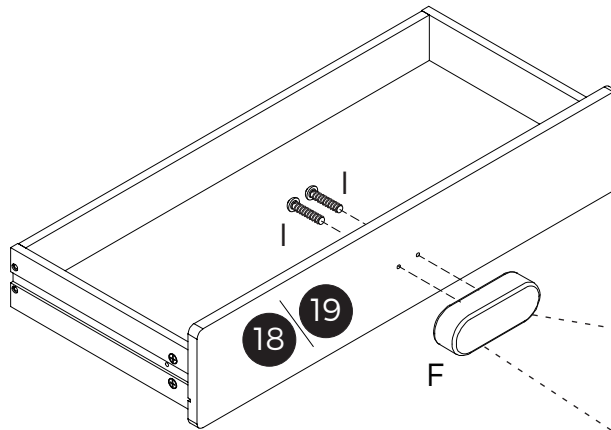
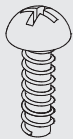
6pcs



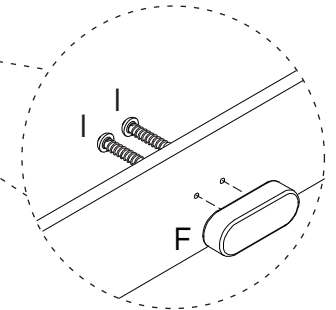
Part I

12pcs

M4x20mm



x6
Assemble 6 handles



STEP 17

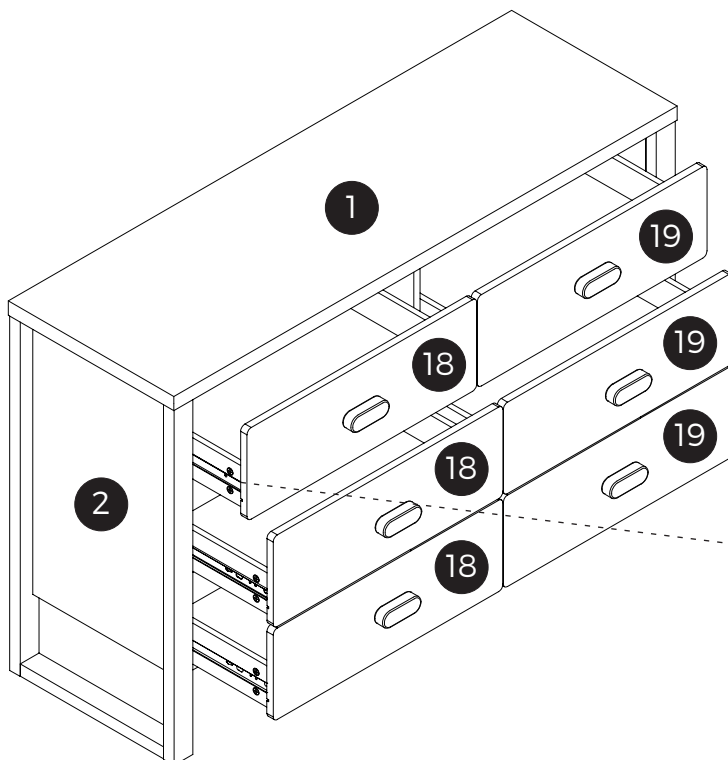
Part H

12pcs

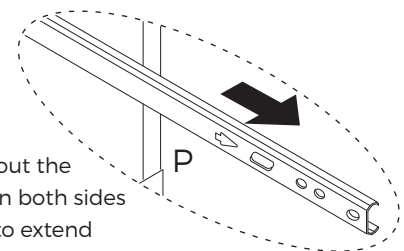
M4x11mm



Screw from the inside of the drawers

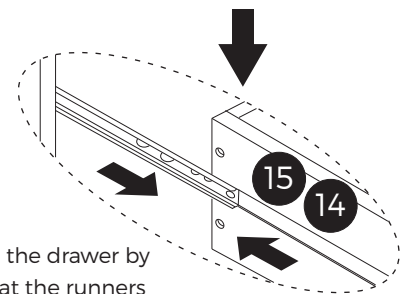


Firstly, pull out the runners P on both sides of the unit to extend about 10cm to 15cm out.



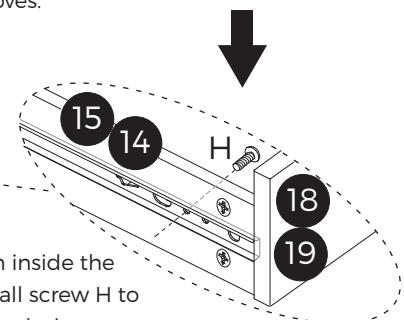
Right runner shown

Next, slot in the drawer by ensuring that the runners P sit smoothly within the drawer grooves.



Left runner shown

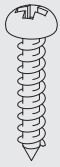
Finally, from inside the drawer, install screw H to thread through the indicated hole on runner P.



STEP 18

Part Q

2pcs
M4x30mm



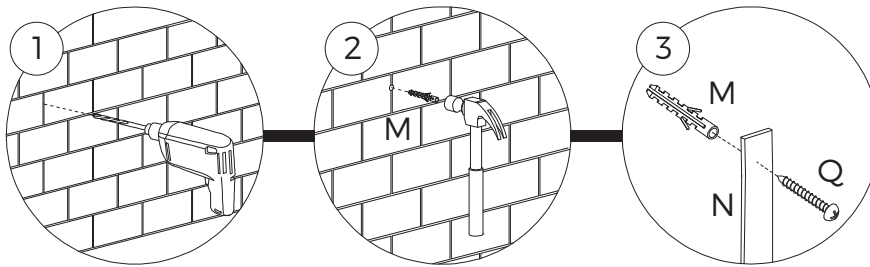
Part M

2pcs

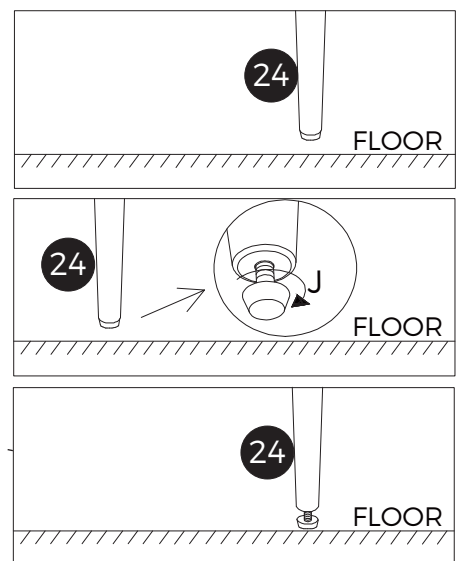
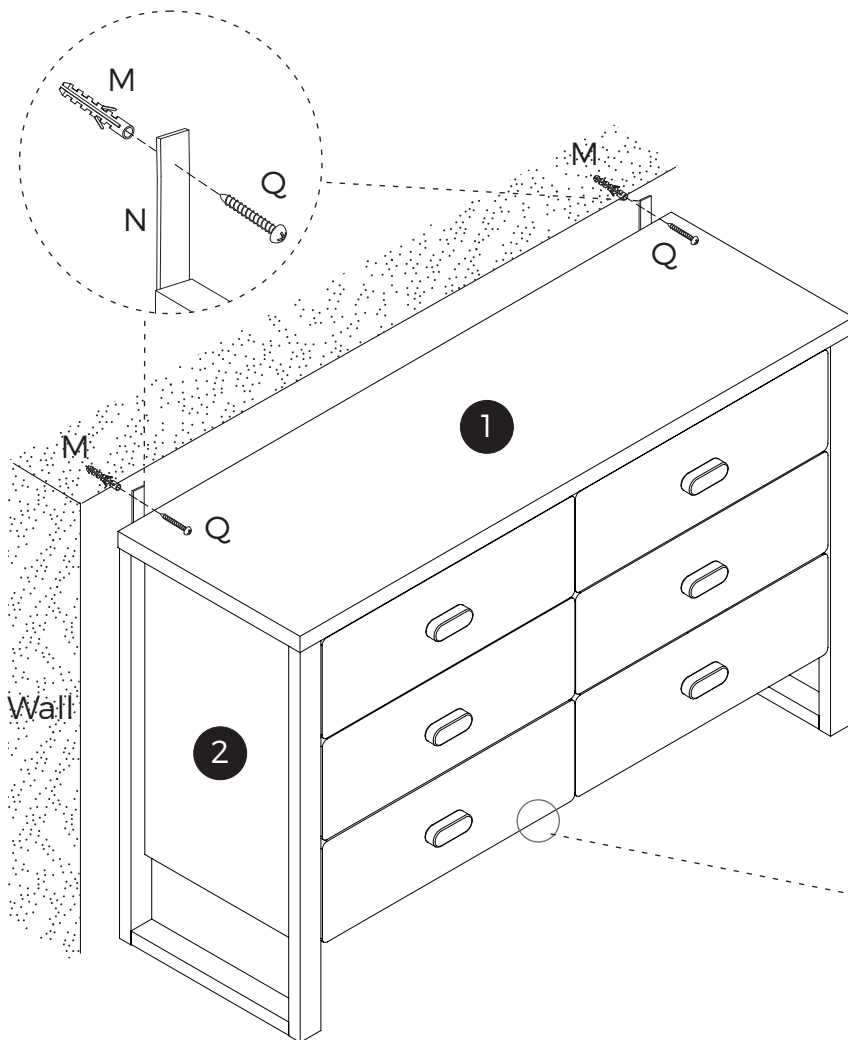


OPTIONAL •

Do this step only if you wish to secure the product to a wall. It is highly recommended that you do so for safety reasons.



Pre-drill holes in the wall



CARE AND MAINTENANCE

GENERAL

- Periodically check all screws, bolts and joints connections and tighten them if necessary.
- Periodically check for any damage and deteriorated parts and components and seek repairs or replacements if needed.
- Do not allow any liquids to remain on the furniture as this may cause stains and allow the liquid to be absorbed into the finishes and materials. In some cases, this may also cause warping and/or cracking of the materials and finishes. Use coasters and placemats for all food and beverages.
- Do not place hot items, such as dishes, pots and cups, directly on the furniture. Use coasters and placemats for all food and beverages.
- Keep sharp and pointed objects away from furniture to avoid damaging the surface and finish.
- Do not place the furniture near hot objects, heating vents or heating equipment.
- Do not place the furniture in moist areas, such as bathrooms, to avoid water damage.

CLEANING AND CARE

- Dust the furniture regularly using a soft cloth or microfibre duster to prevent dust build-up
- Only wipe and clean with a soft, damp cloth with a mild cleaning detergent.
- Do not use abrasive cleaning materials such as scouring pads and chemical cleaning solvents to avoid damage to finishes and paintwork.
- After using or cleaning a glass table top, wipe it completely dry as leaving the glass unattended when wet may leave water marks that cannot be removed easily.
- For upholstery, vacuum regularly with a soft, non-metallic brush to remove dust and grime and to prevent overall soiling. Follow manufacturer's instructions for spot cleaning.
- If removable, wash upholstery covers periodically. If machine washable, use a cold wash cycle.
- Do not use a dryer. Only air dry the upholstery covers.

ENVIRONMENTAL

- Do not expose the furniture (including outdoor furniture) to direct sunlight. Protect your outdoor furniture with weather-resistant covers, and have curtains and blinds to shield indoor furniture if direct sunlight is unavoidable.
- Bamboo, rattan as well as wood-based furniture are prone to damage and fade with prolonged exposure to extremely high or low humidity conditions. Do not place them in such extreme conditions.
- For outdoor bamboo/rattan furniture, do not place the furniture in shady or moist areas to prevent it from moulding. Bring the furniture indoors during the off season or covered it with weather-resistant covers.

HANDLING

- Do not drag, push or pull furniture when moving them. Lift them up to avoid damage to the furniture legs and scratches on floors.
- Do not sit or stand on the armrests or use the furniture as a stepping stool for safety reasons.
- Do not exceed the recommended weight capacities of the furniture specified.
- Do not use the furniture for any other purpose other than what is intended for.

STORAGE

- Store furniture in a clean, dry environment when not in use.
- If possible, disassemble furniture before storing to save space and prevent damage during transportation.

SPECIFIC CARE

- Engage professional upholstery cleaning services for deeper cleaning if required.
- For genuine leather, suede leather or synthetic leather upholstery, use an appropriate leather conditioner to maintain its suppleness and appearance and prevent drying and cracking. The conditioner also adds a thin protective layer on the leather surface to facilitate easier cleaning.
- If a furniture polish is used for wooden furniture, make sure that it is of low alcohol content.
- To prevent rattan from becoming dry and brittle, spray water on the underside of the furniture piece every six months and wipe down with a dry cloth to remove excess water.
- As an optional protection for bamboo furniture, apply a bamboo sealant/varnish on it for durable protection against scratches, water, UV rays and other weather elements.

⚠ WARNING	
	
<p>Children have died from furniture tipover.</p> <ul style="list-style-type: none">• ALWAYS secure this furniture with an anchor device.• NEVER allow children to stand, climb or hang on drawers, doors, or shelves.• NEVER open more than one drawer at a time.• Place heavy items down low. <p>NEVER put a TV on this furniture </p>	

Well done!

**Love our furniture?
Share it!**

Tag us on instagram or facebook

@KampradsOikos1943

ikiture[®]