

OSC-TALL-% Model

Assembly Instructions

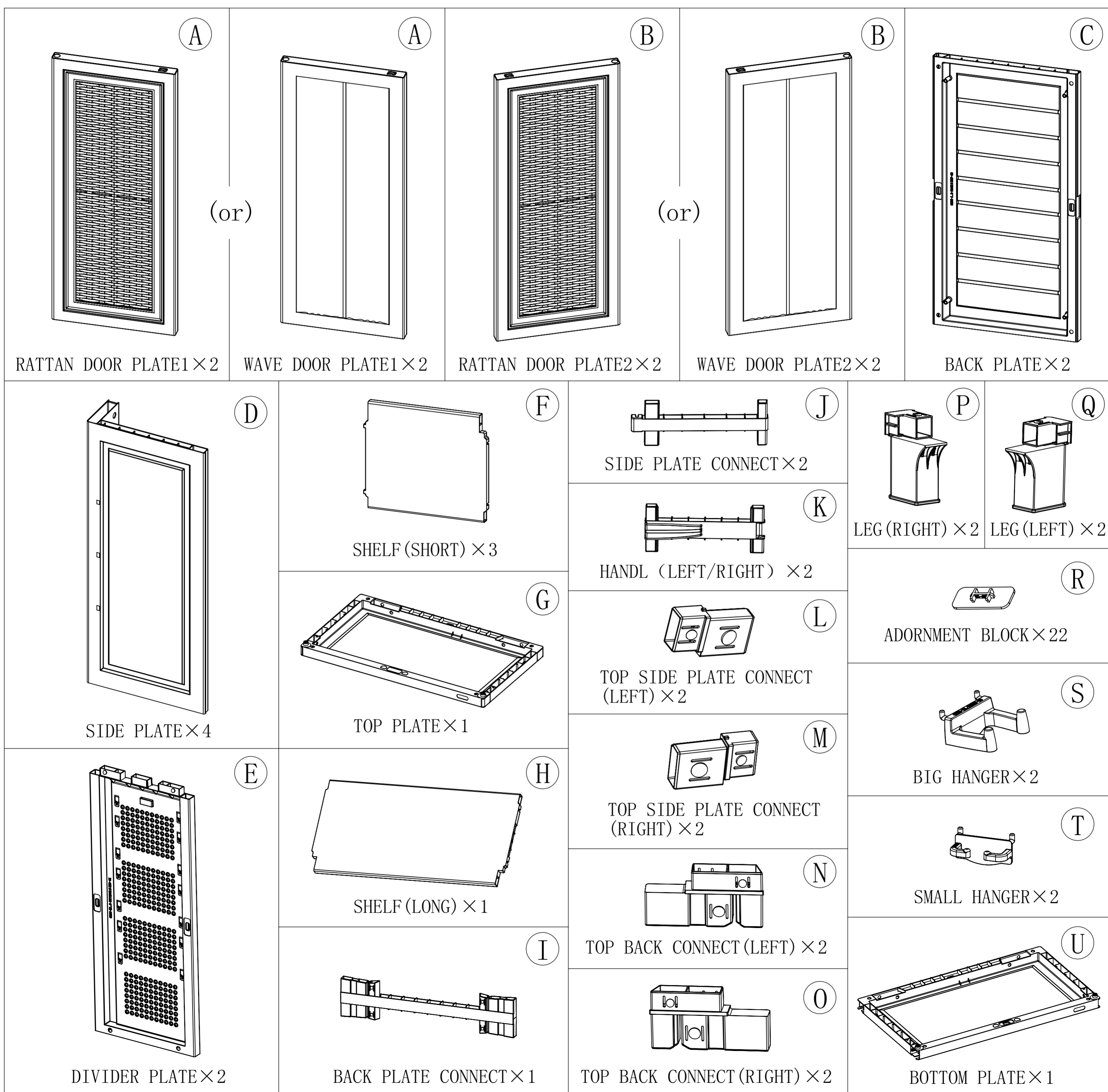


Caution:

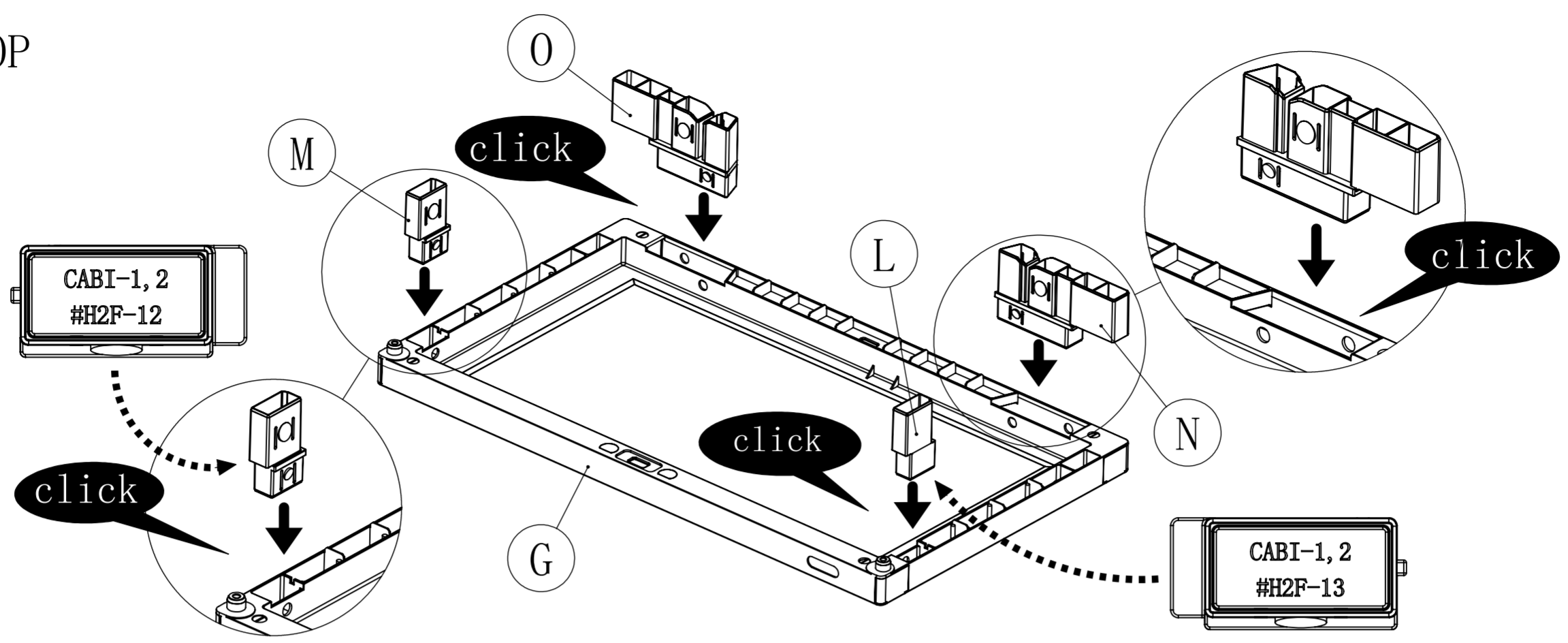
Please avoid overweight storage (no more than 6KG per layer)

Don't let the product fully expose under the hot Sun or in heavy rain.

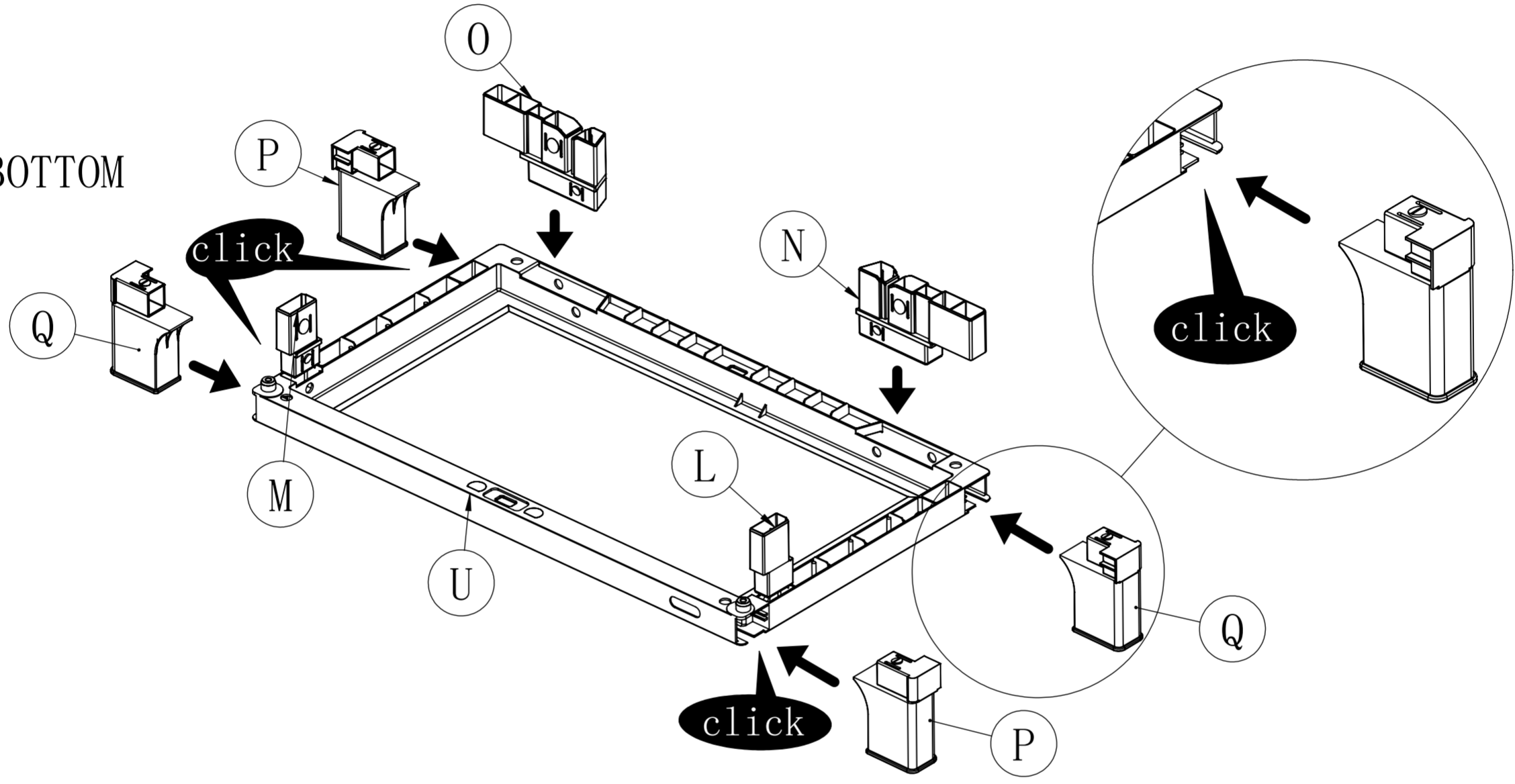
The lifespan will reduce under prolonged sunshine and raining.



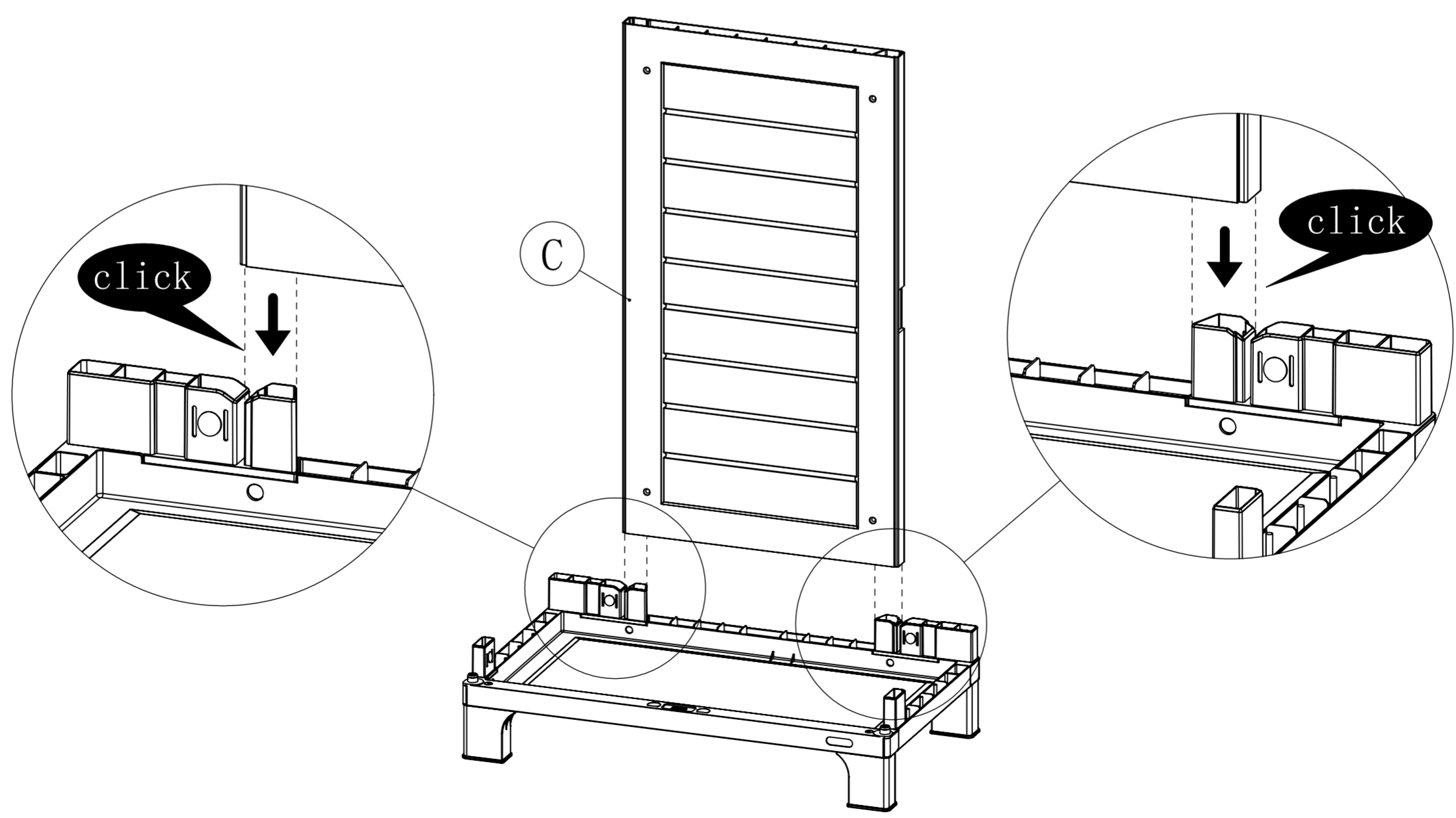
1 TOP



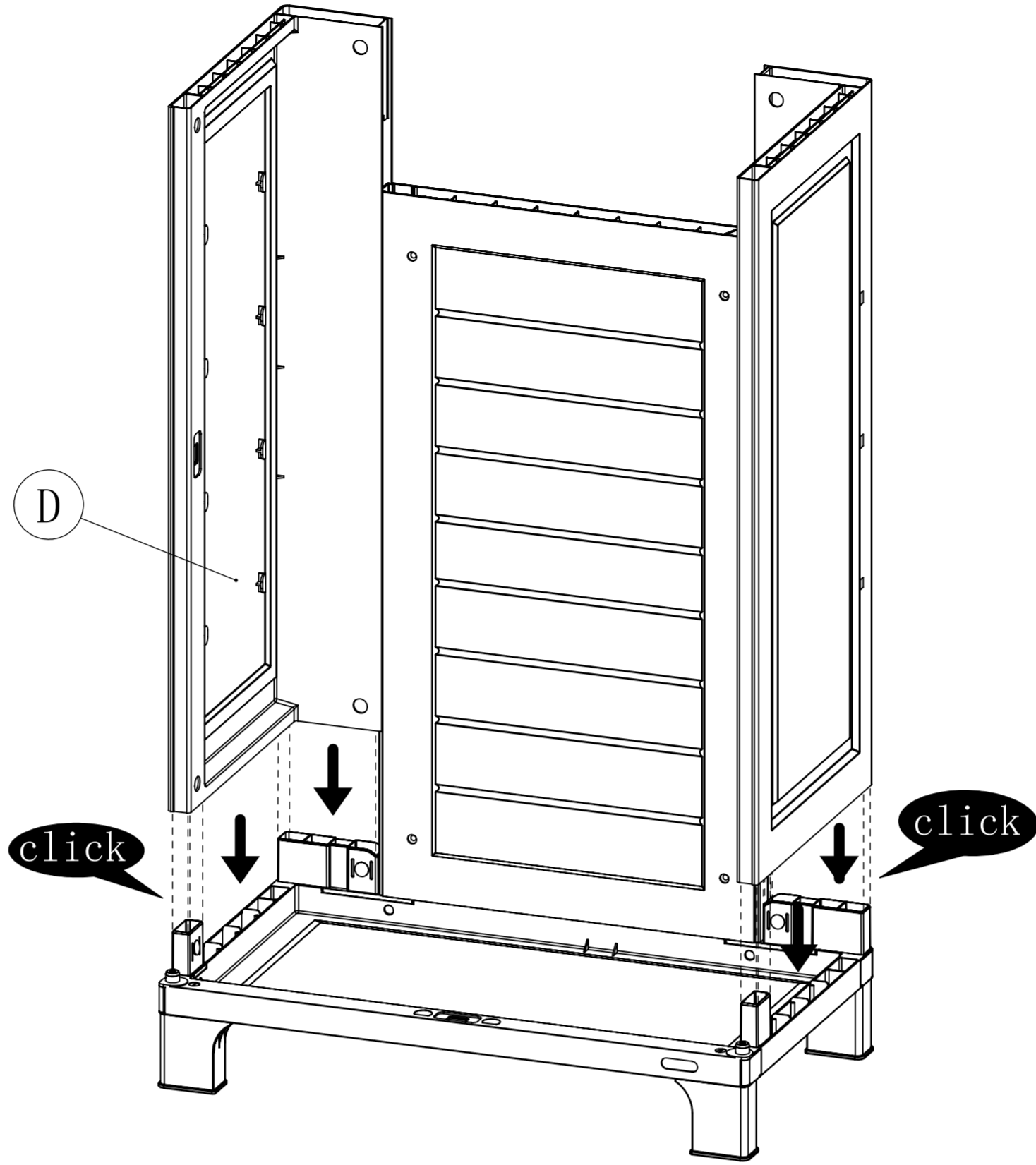
2 BOTTOM



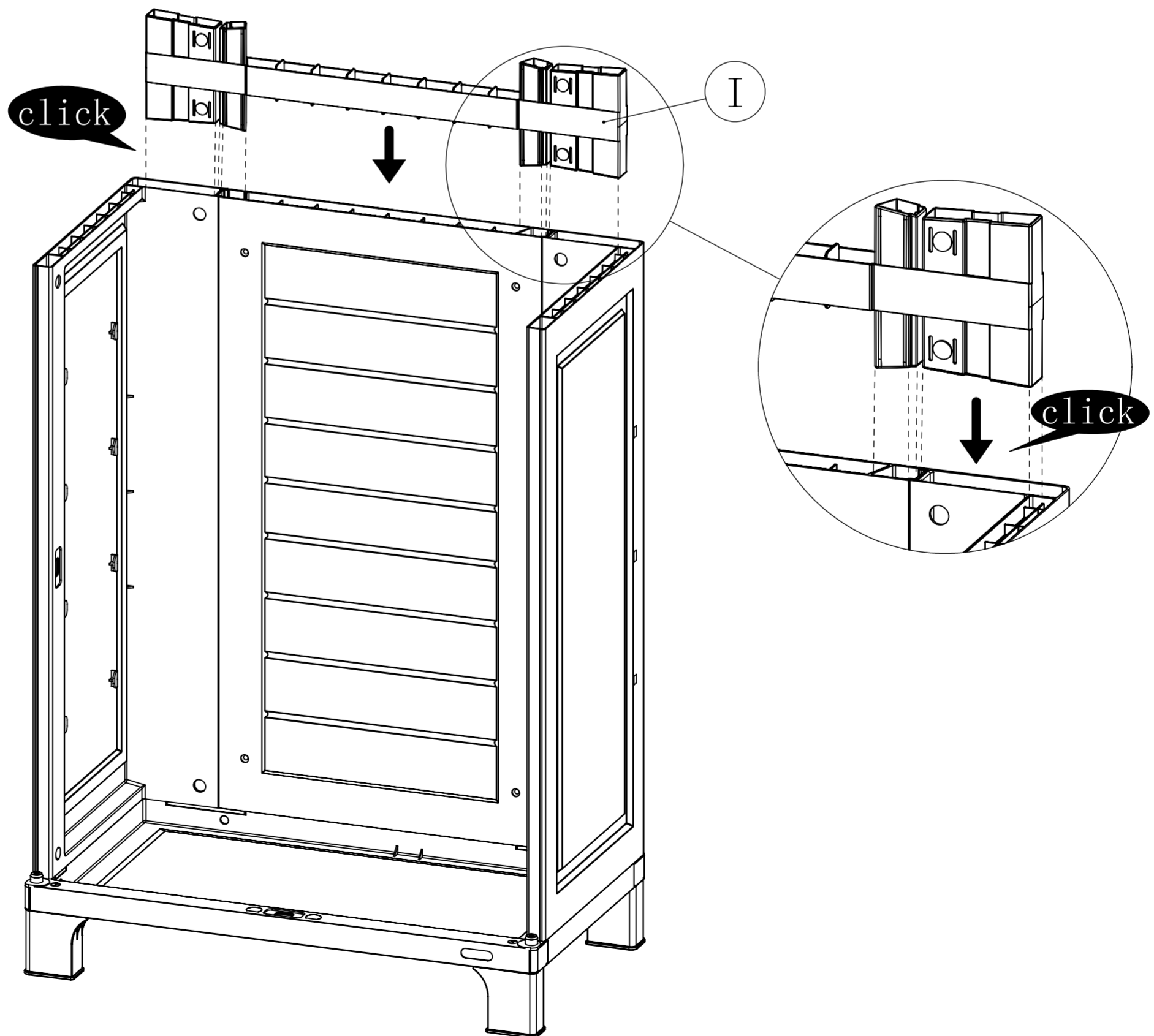
3



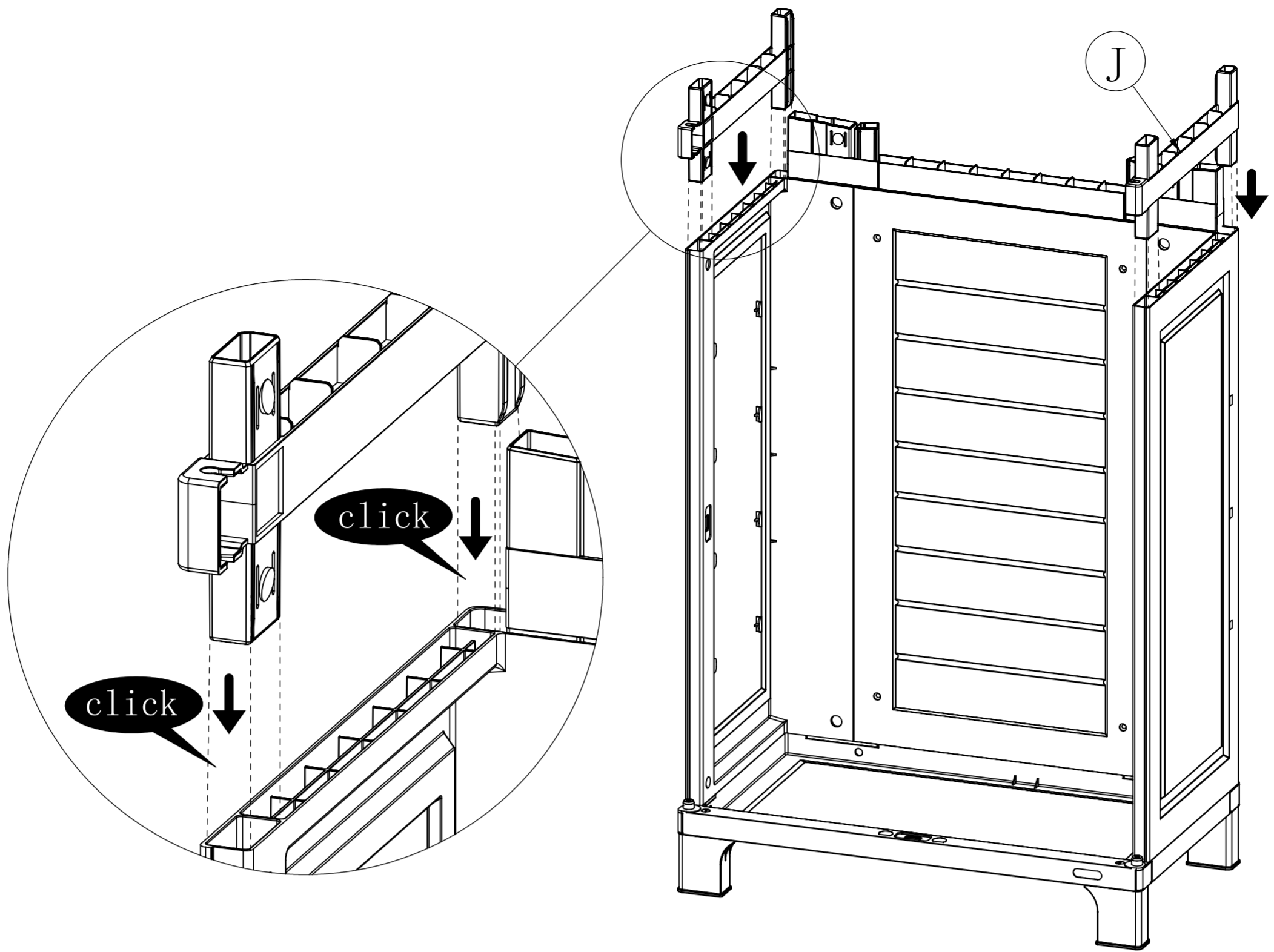
4



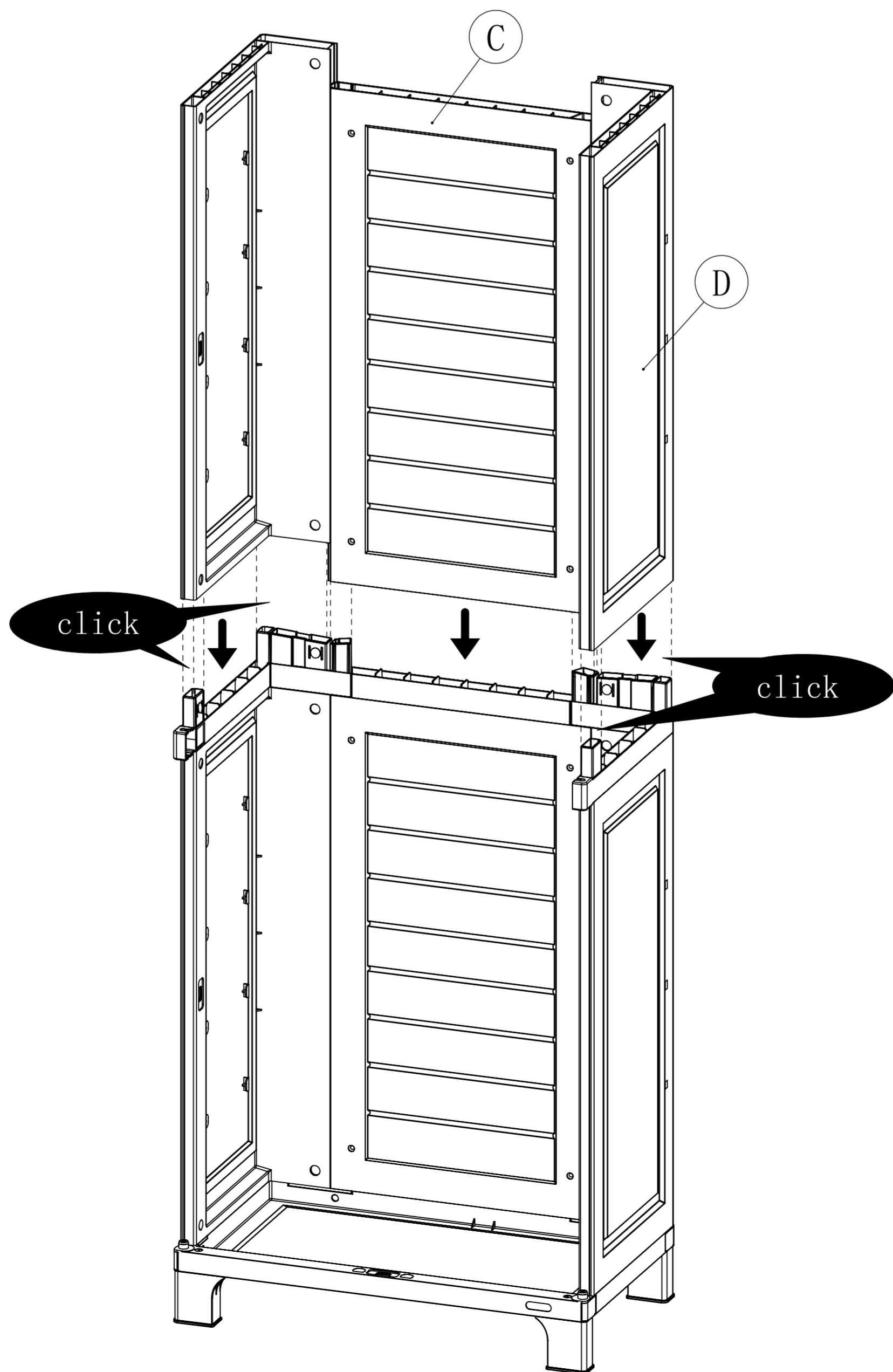
5



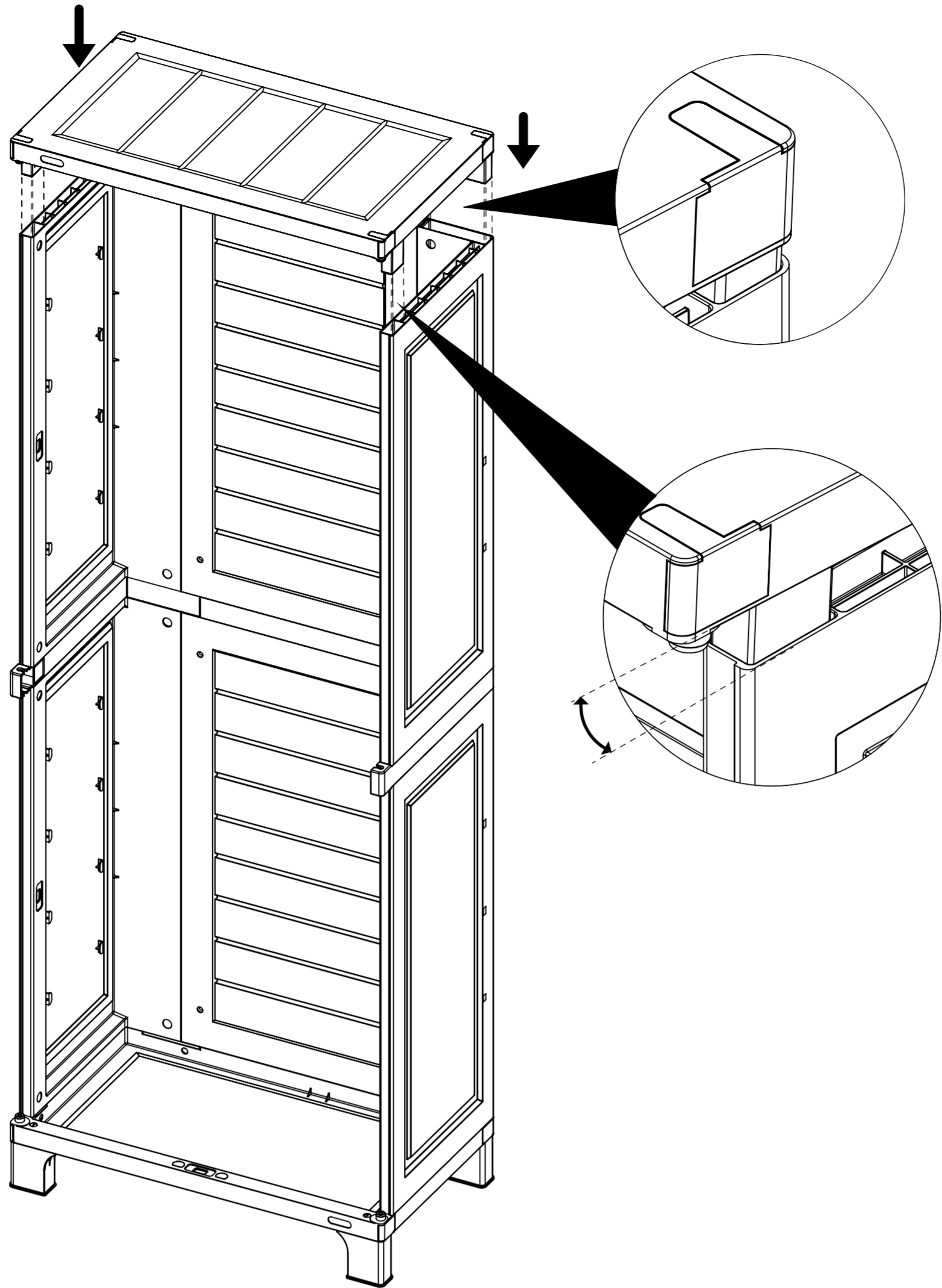
6



7

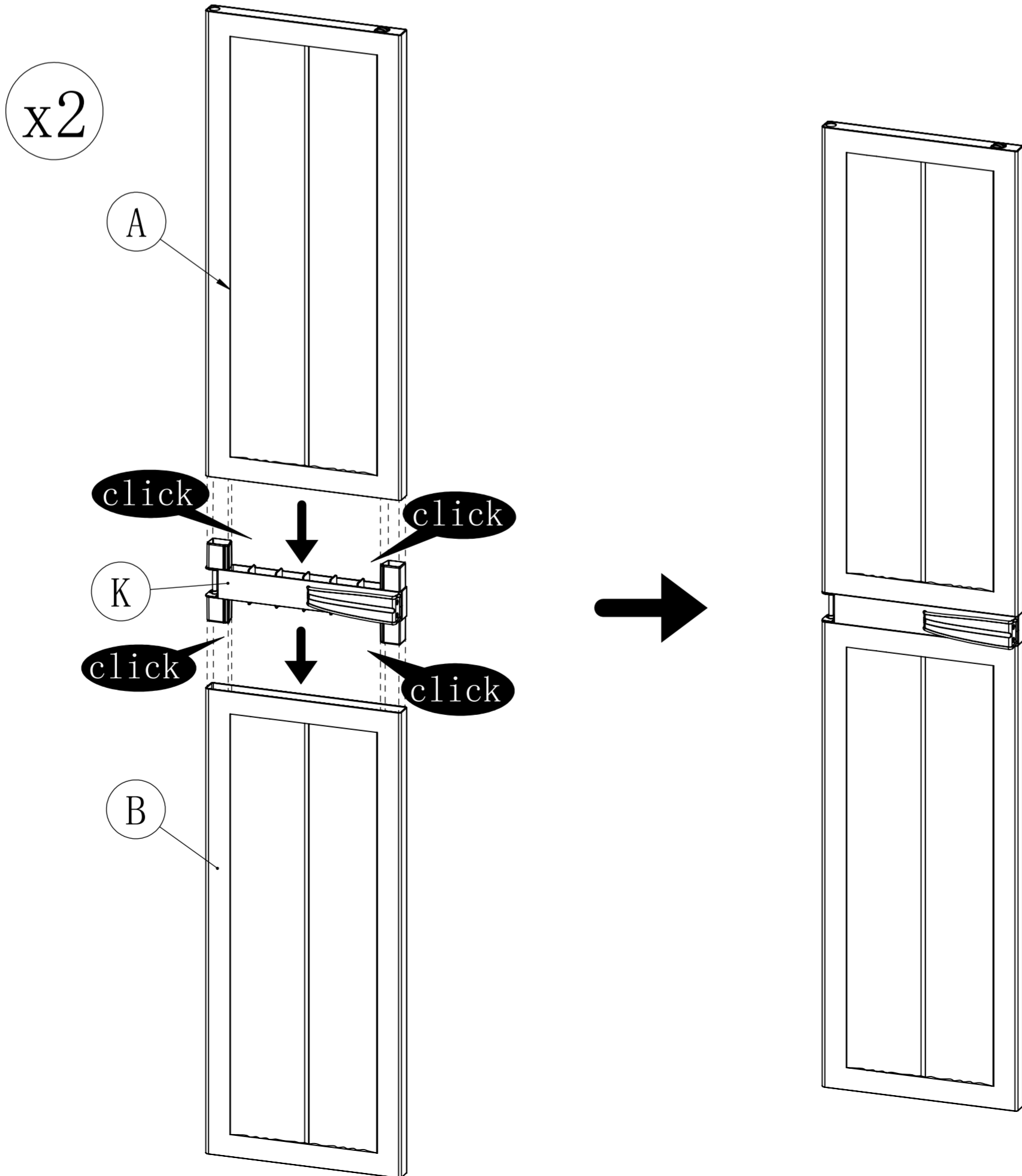


8

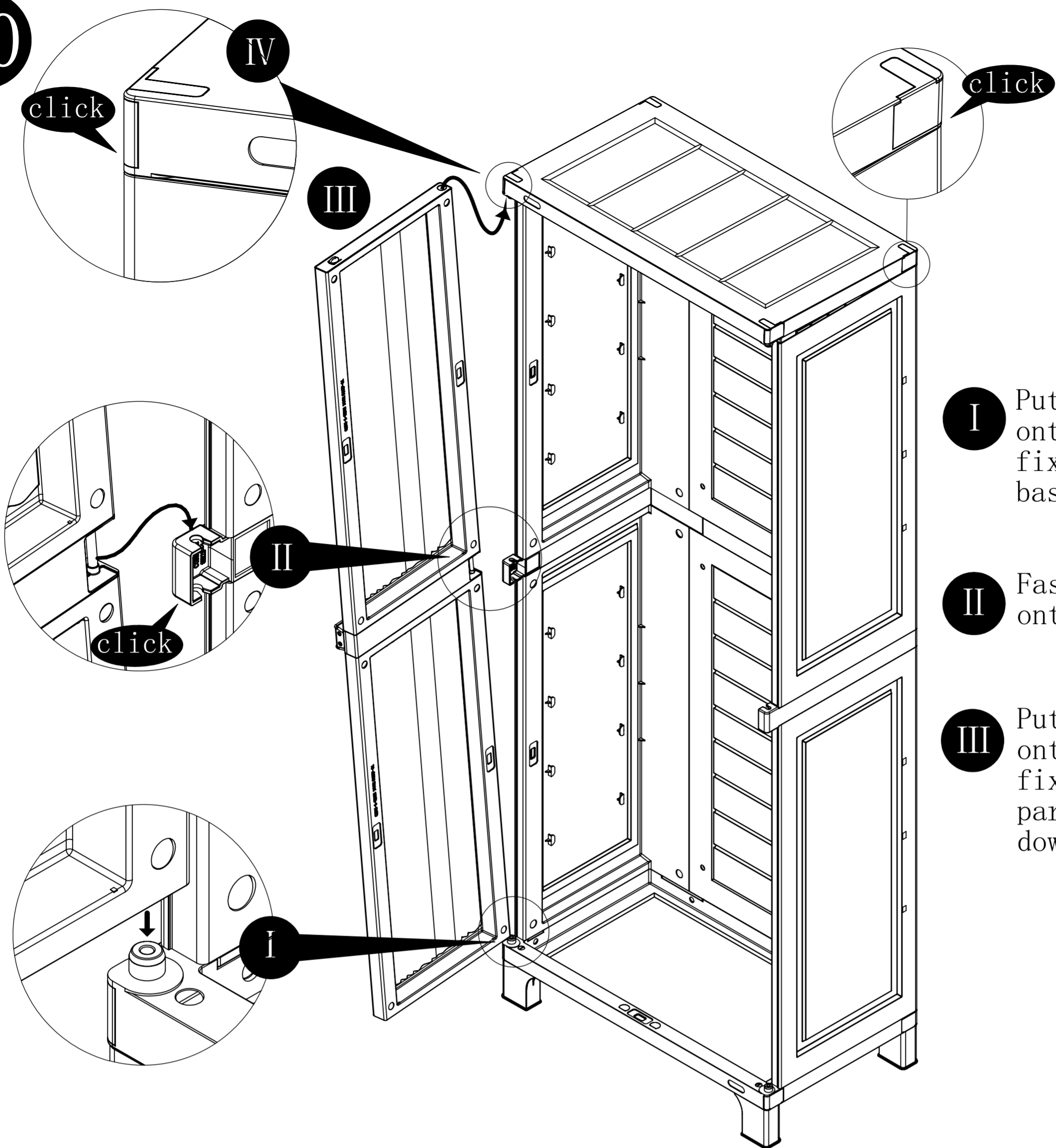


!
*LEAVE OPEN

9



10

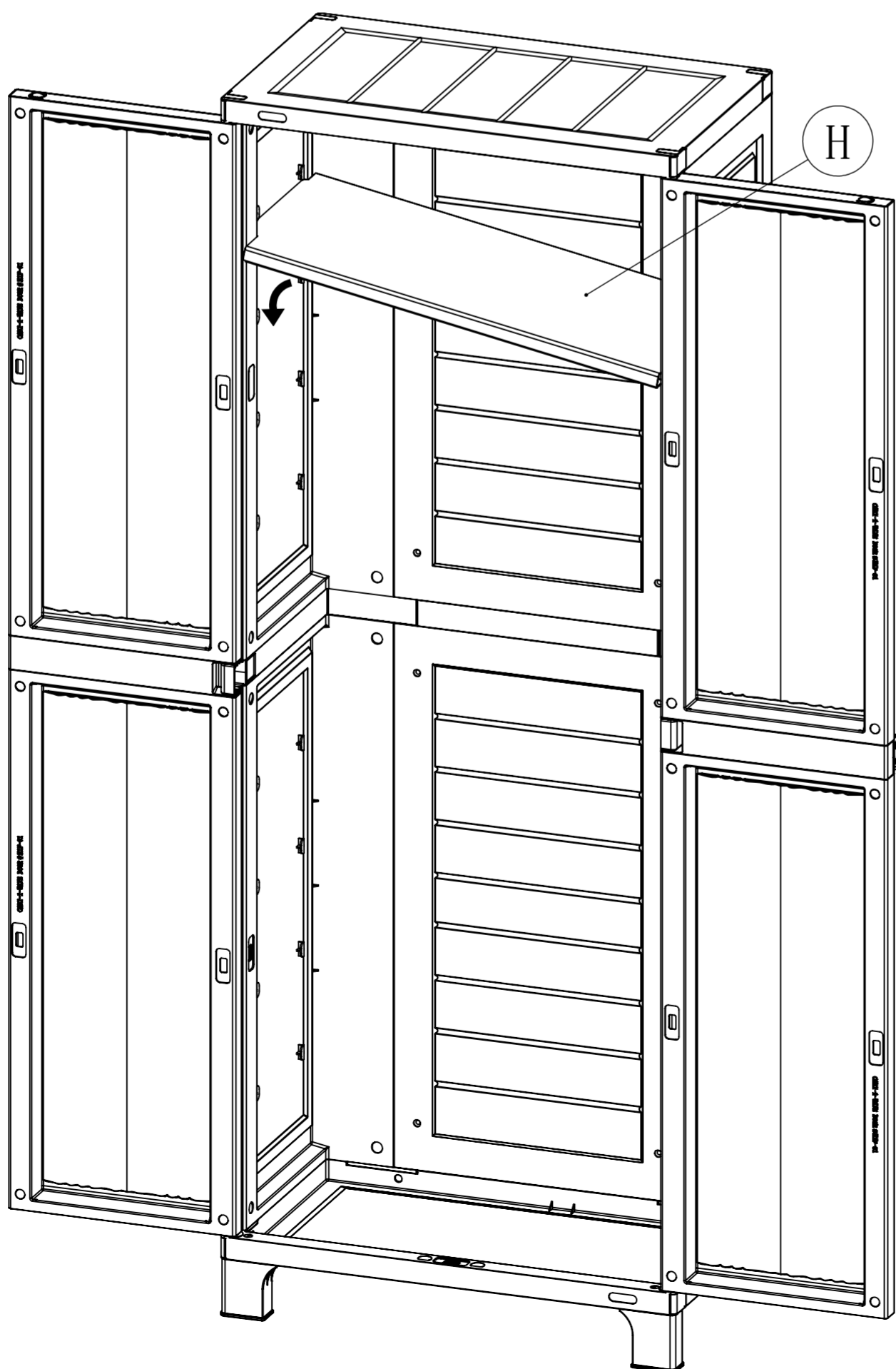


I Put door-hinge hole onto door-hinge fixer on the bottom base

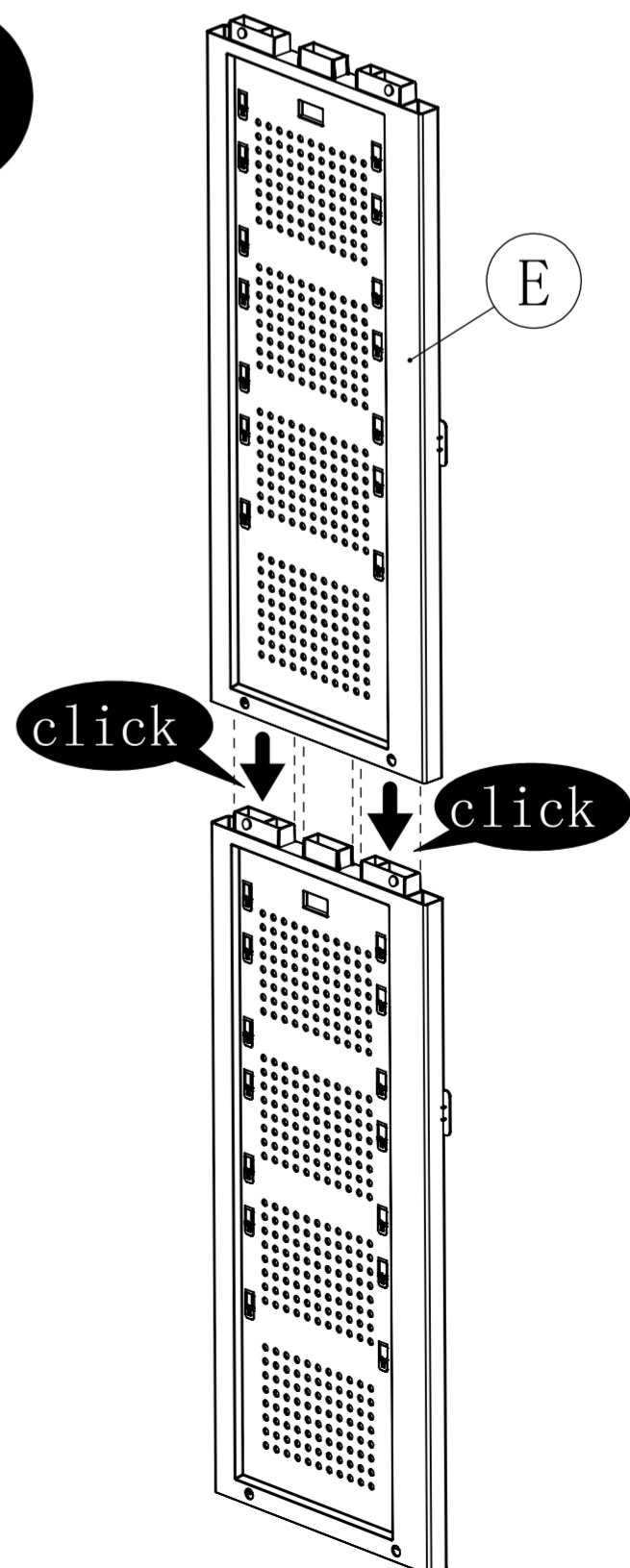
II Fasten door-hinge onto the side holder

III Put door-hinge hole onto door-hinge fixer on the top part, and press it downward in panel

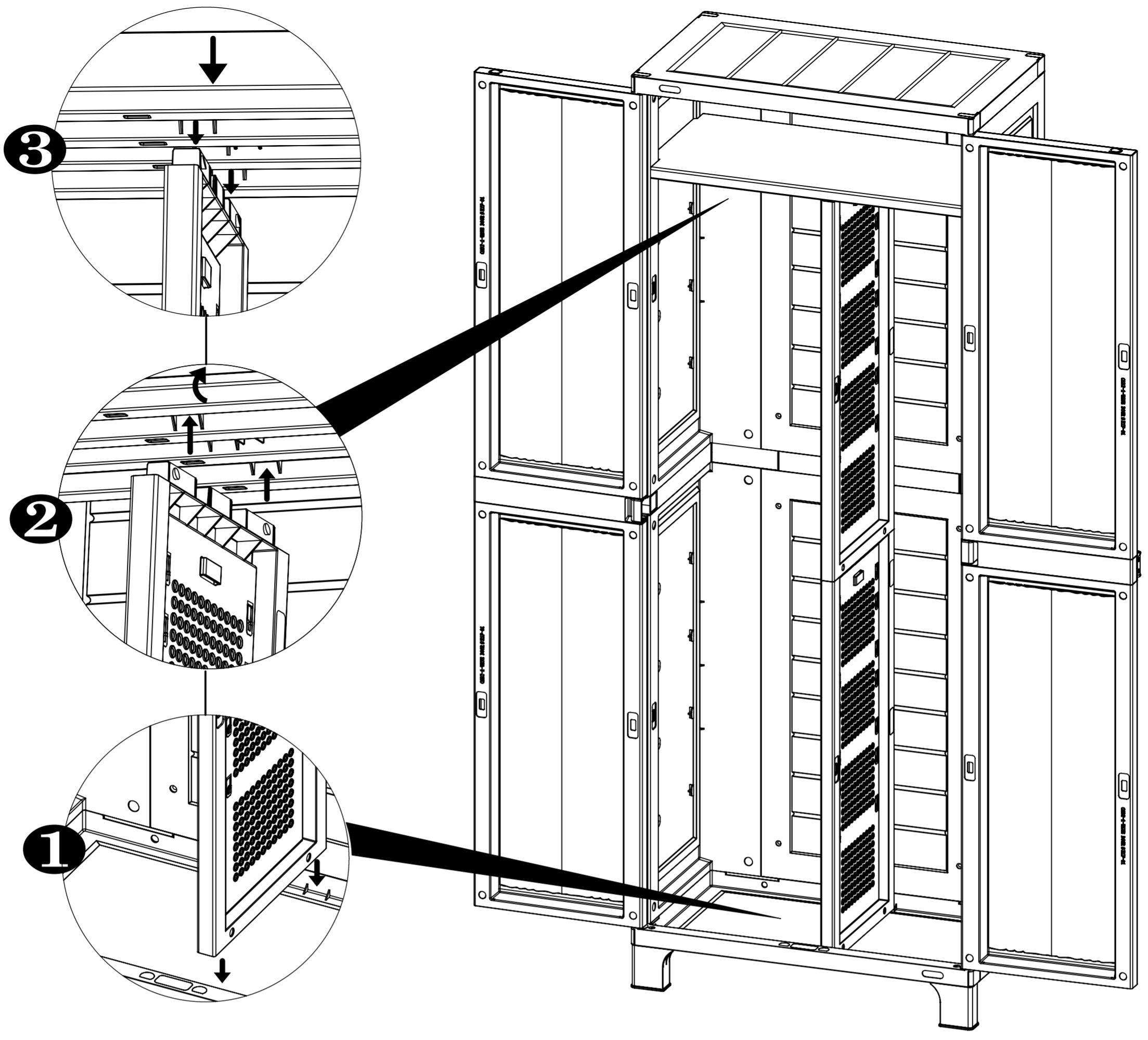
11



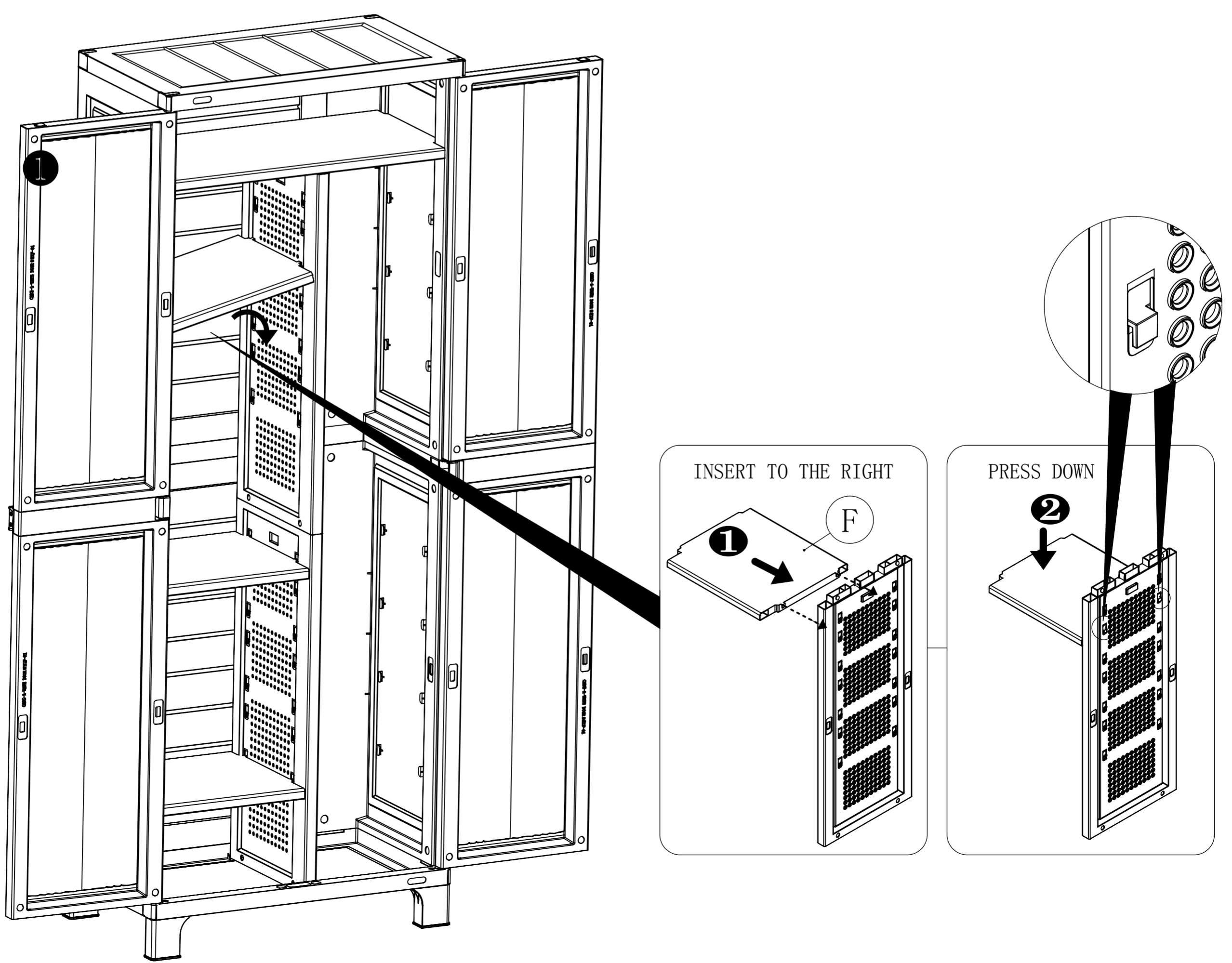
12



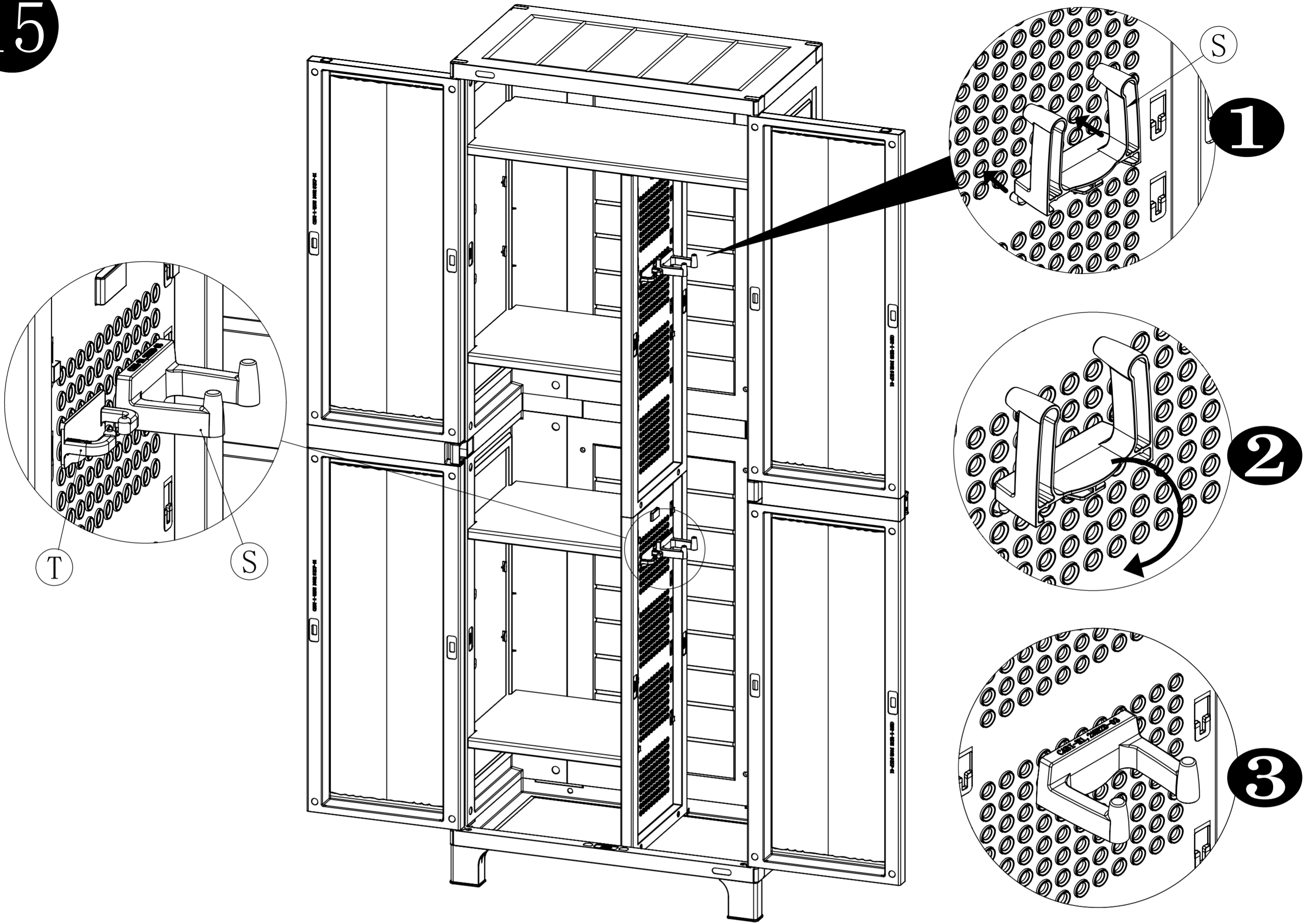
13



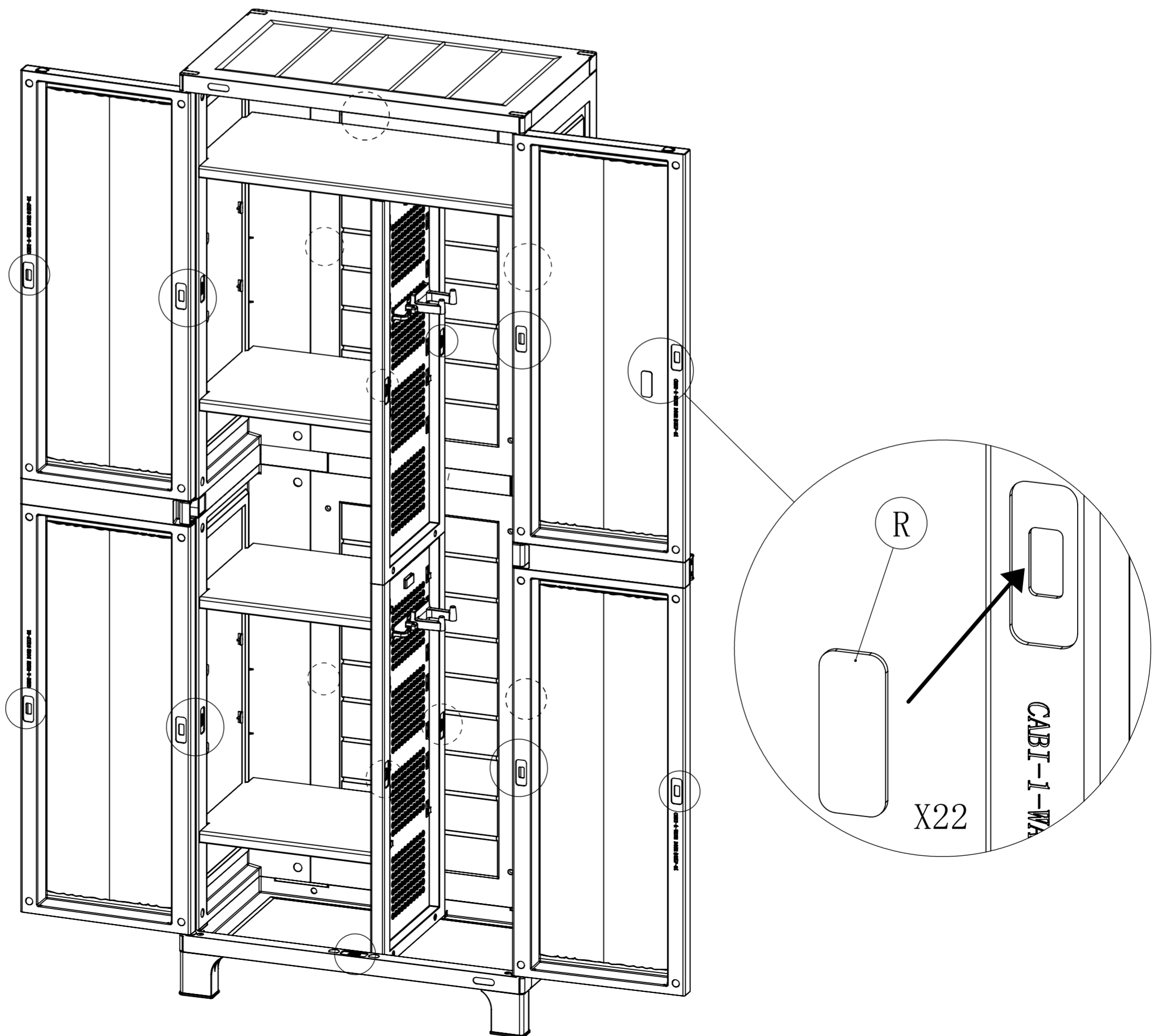
14



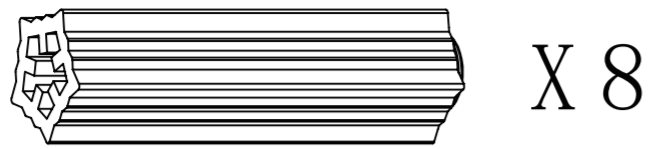
15



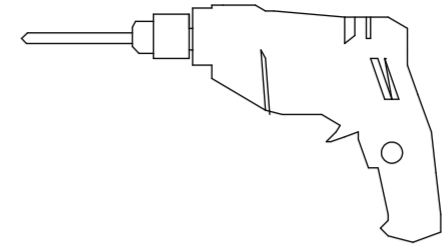
16



Installation instructions for cabinet walls



A. Self tapping screw wall plug

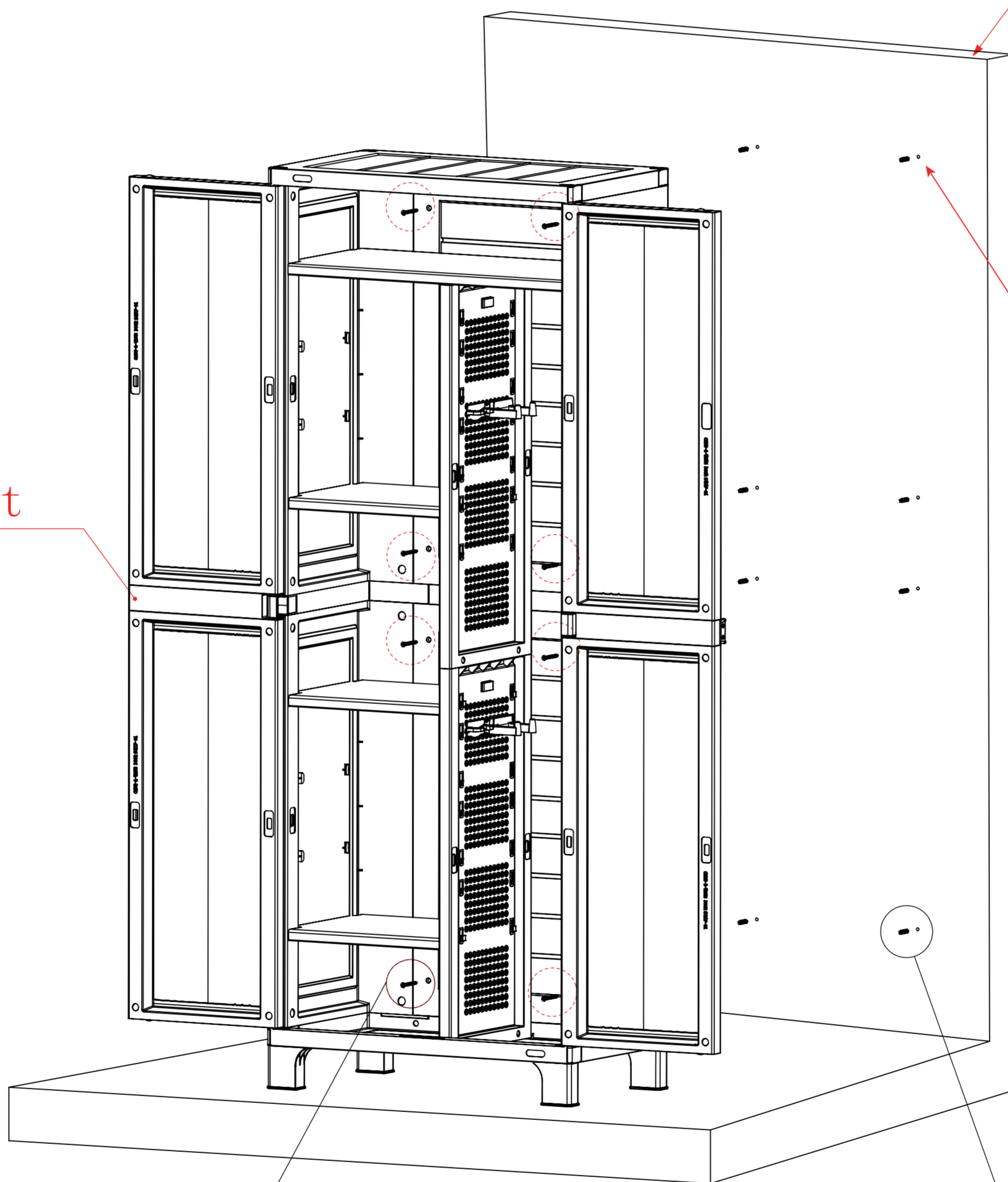


B. M5X50 flat head self tapping screw

Bring your own flashlight drill and drill $\phi 6 \times 30$ mm holes (8pcs) on the wall, After drilling the hole, insert the self tapping screw wall plug into the hole.

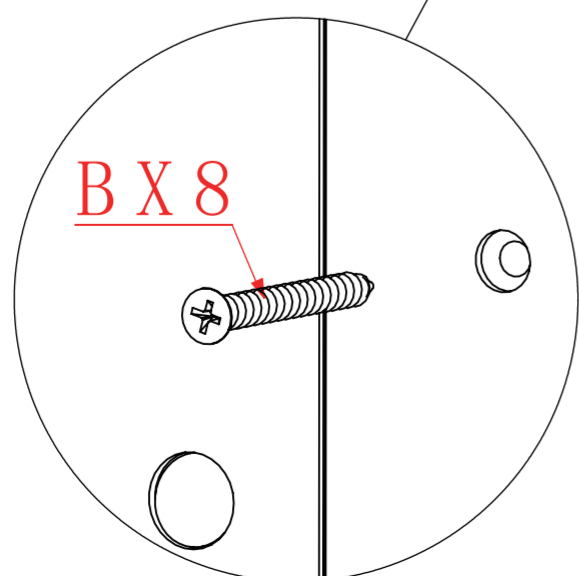
wall

cabinet

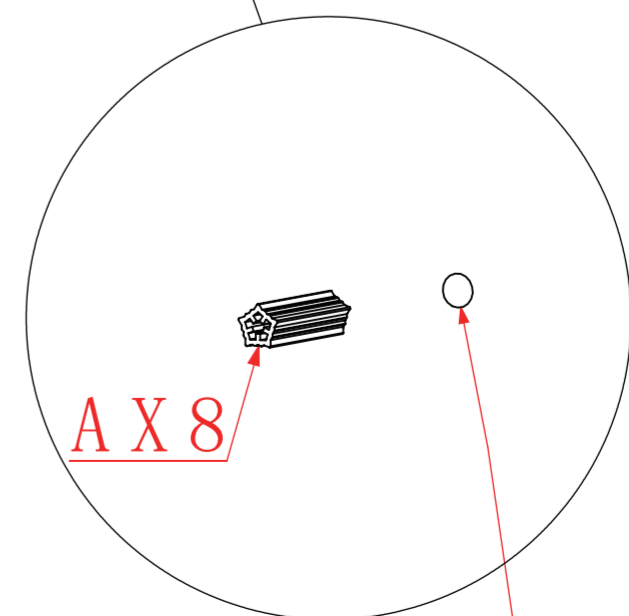


Use pencil to draw eight marks on the wall through respective screwholes of product.

B X 8

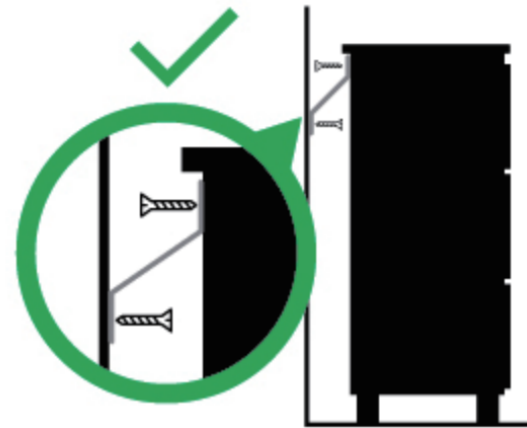


A X 8



$\phi 6 \times 30$ mm hole

⚠ WARNING



Children have died from furniture tipover.

- ALWAYS secure this furniture with an anchor device.
- NEVER allow children to stand, climb or hang on drawers, doors, or shelves.