

# ASSEMBLY INSTRUCTIONS

Please read the instructions carefully  
before assembling and using the product

## MBF-VINY-KS /D /Q

### IMPORTANT NOTE:

- \* PLACE ALL PARTS ON A CLEAN AND SMOOTH SURFACE SUCH AS A RUG OR CARPET TO AVOID THE PARTS FROM BEING SCRATCHED.
- \* KINDLY FOLLOW THE ASSEMBLY INSTRUCTIONS STEP BY STEP.
- \* DO NOT TIGHTEN ALL SCREWS UNTIL THE BED IS FULLY SET-UP.

Do not jump on the bed, or it will damage the bed or cause injury!

### \*IMPORTANT NOTICE\*

When moving the bed, please lift off the ground with two people. DO NOT drag, push or pull the bed across the floor, as this can result in damage to the supporting leg.

# ASSEMBLY CHECKLIST



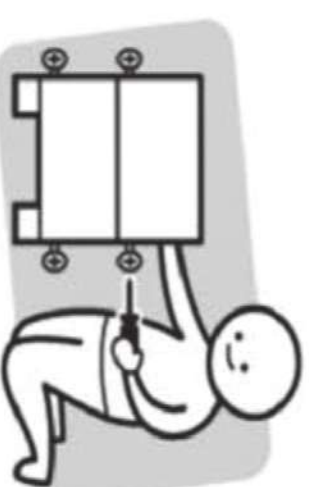
Read through the instructions carefully before starting assembly.



Identify and lay out all parts to familiarise yourself with them.



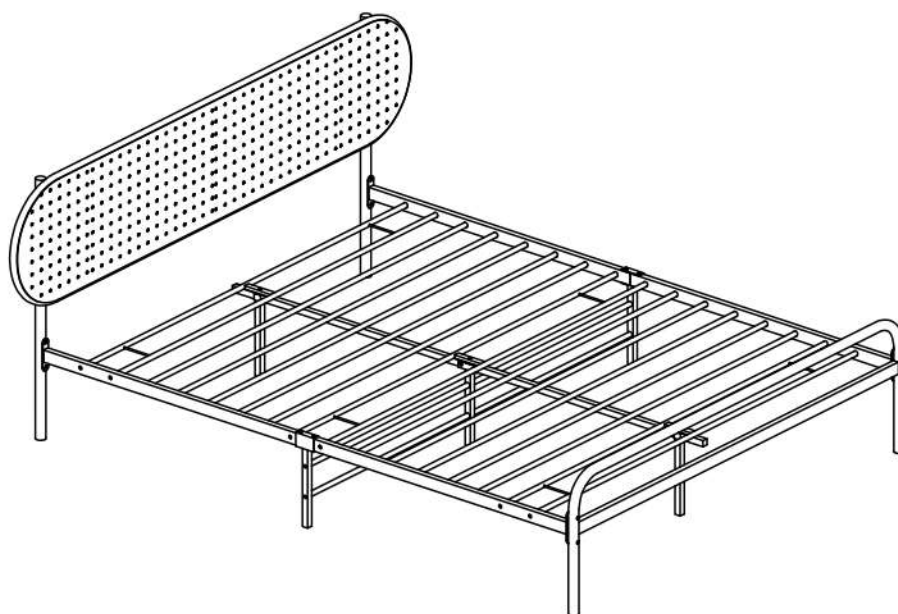
Make sure that you have the required tools. Do not use power tools.



Do not fully tighten all screws until the step or process has been completed.

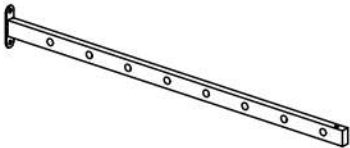

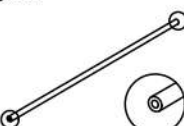


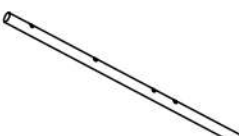
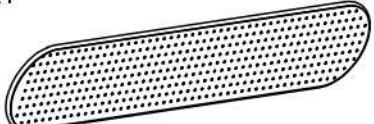


















## USEFUL INFORMATION

1. Never use power tools for assembly. They can damage the components or hardware if used incorrectly.
2. The most common mistakes made during assembly are using the wrong hardware or getting components from back to front.
3. Always assemble the product on a soft surface such as a carpet or cardboard to avoid scratching or damaging the surface of the product.

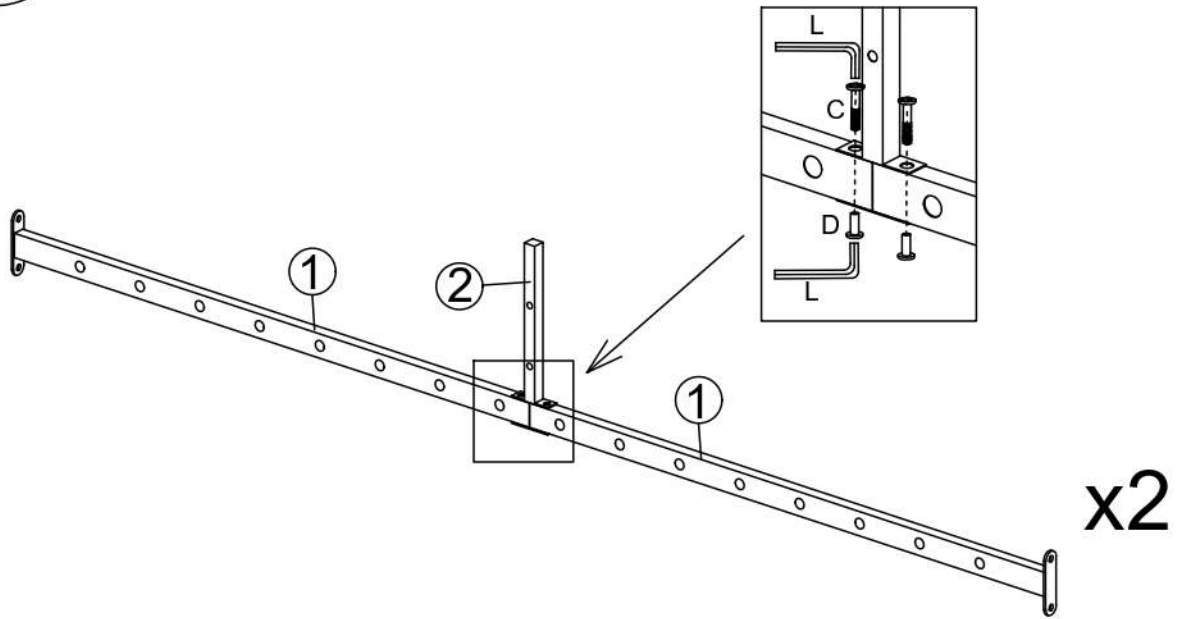




Weight load capacity:

Single bed: 200KG; Double, Queen, King: 300KG

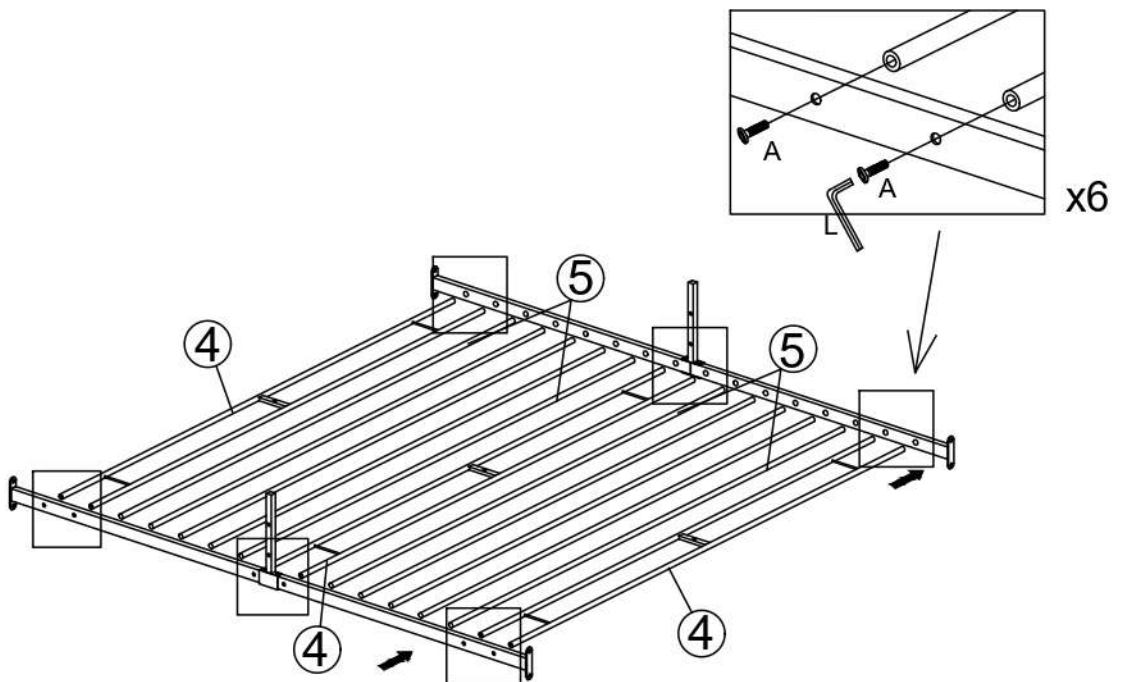
① x4 	② x2 	③ x4 	④ x3 			
⑤ x10 	⑥ x2 	⑦ x1 				
⑧ x1 	⑩ x1 	⑪ x2 	⑫ x2 			
Ax14  M6X16	Bx4  M6X30	Cx4  M6X40	Dx6  M6X18	Ex12  M8X30	Fx8  M8X30	Gx3  M8X45
Hx8  M8X18	Jx3  M6X50	Kx2  M6X50	Lx2  M6	Mx2  M8	Nx4  M6X50	Ox4  M6X50

1



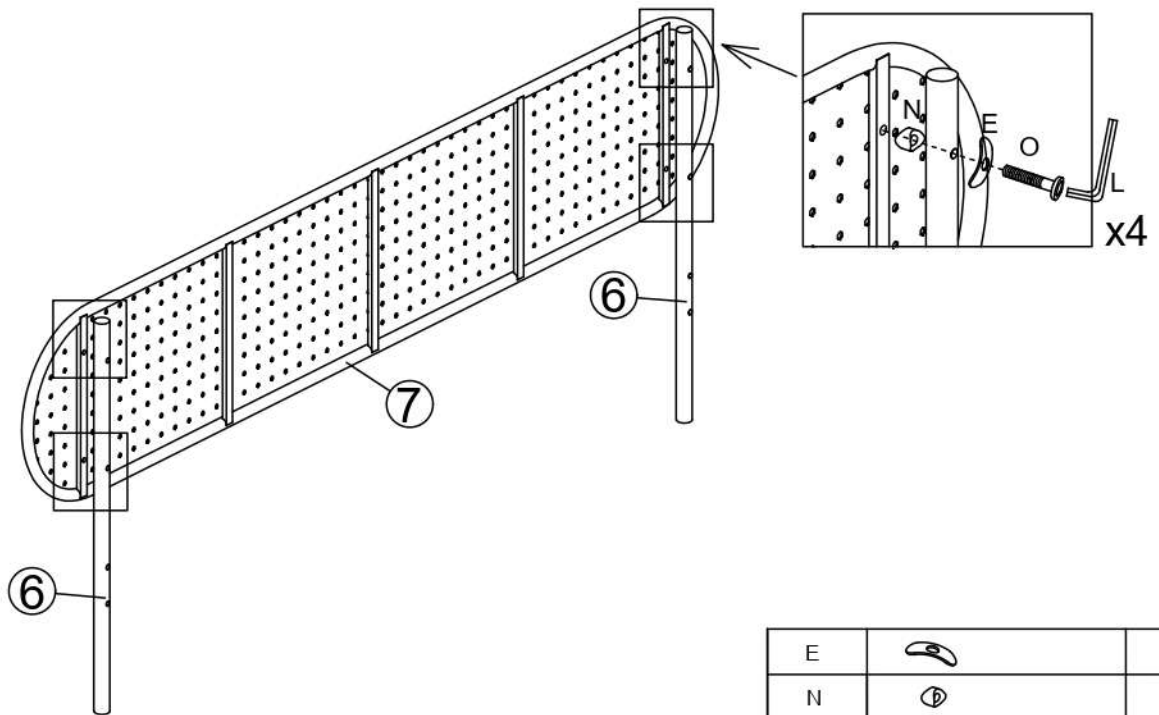
C		M6X40	4
D		M6X18	4

2



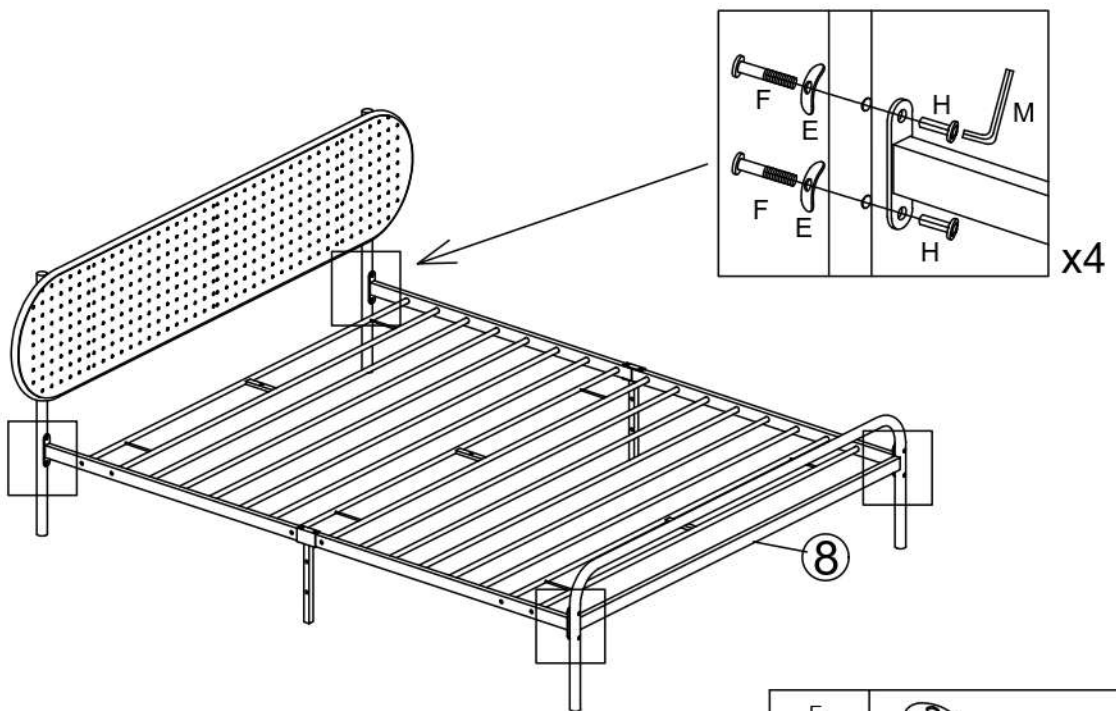
A		M6X16	12
---	---	-------	----




3



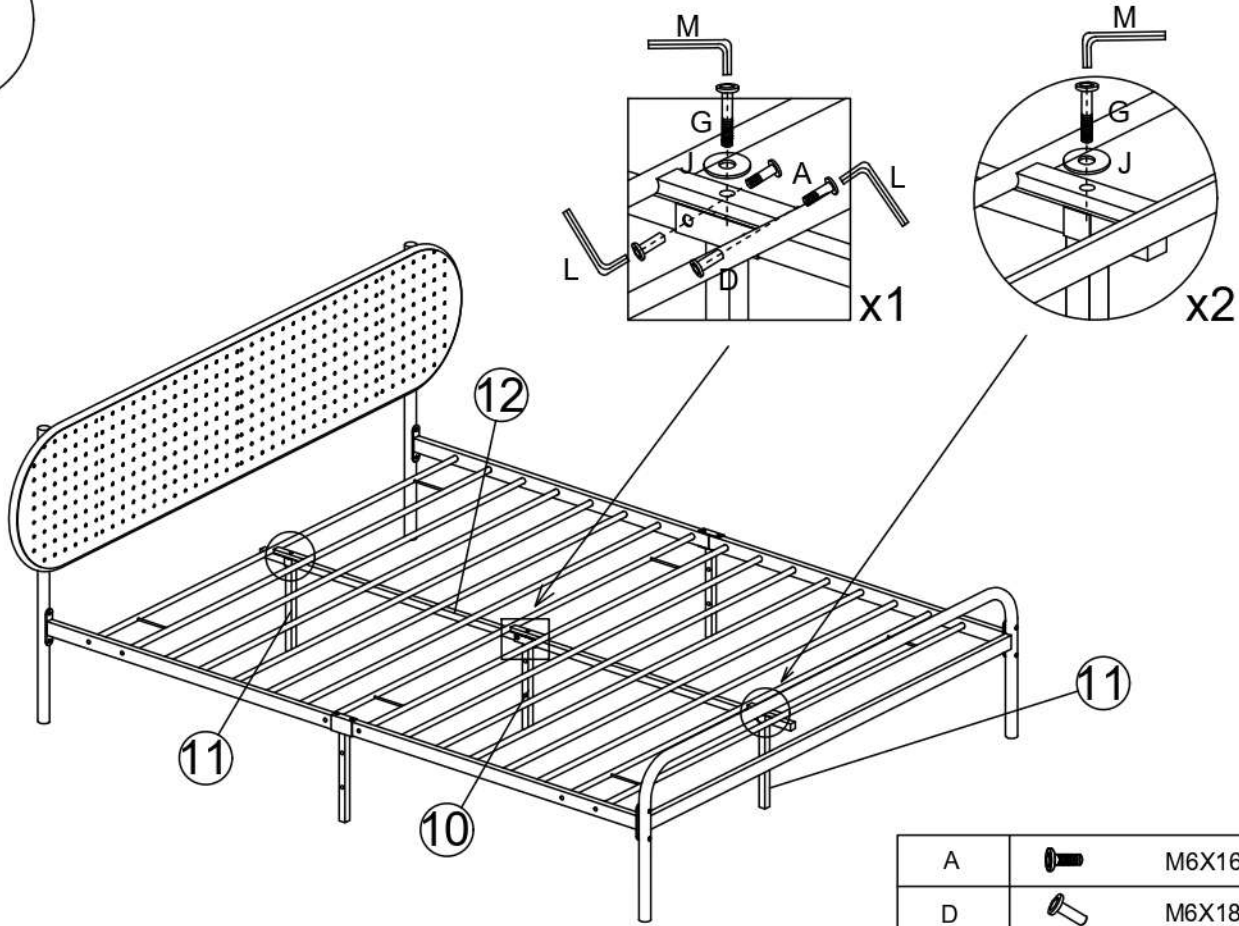
E		4
N		4
O	 M6X50	4




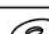
4



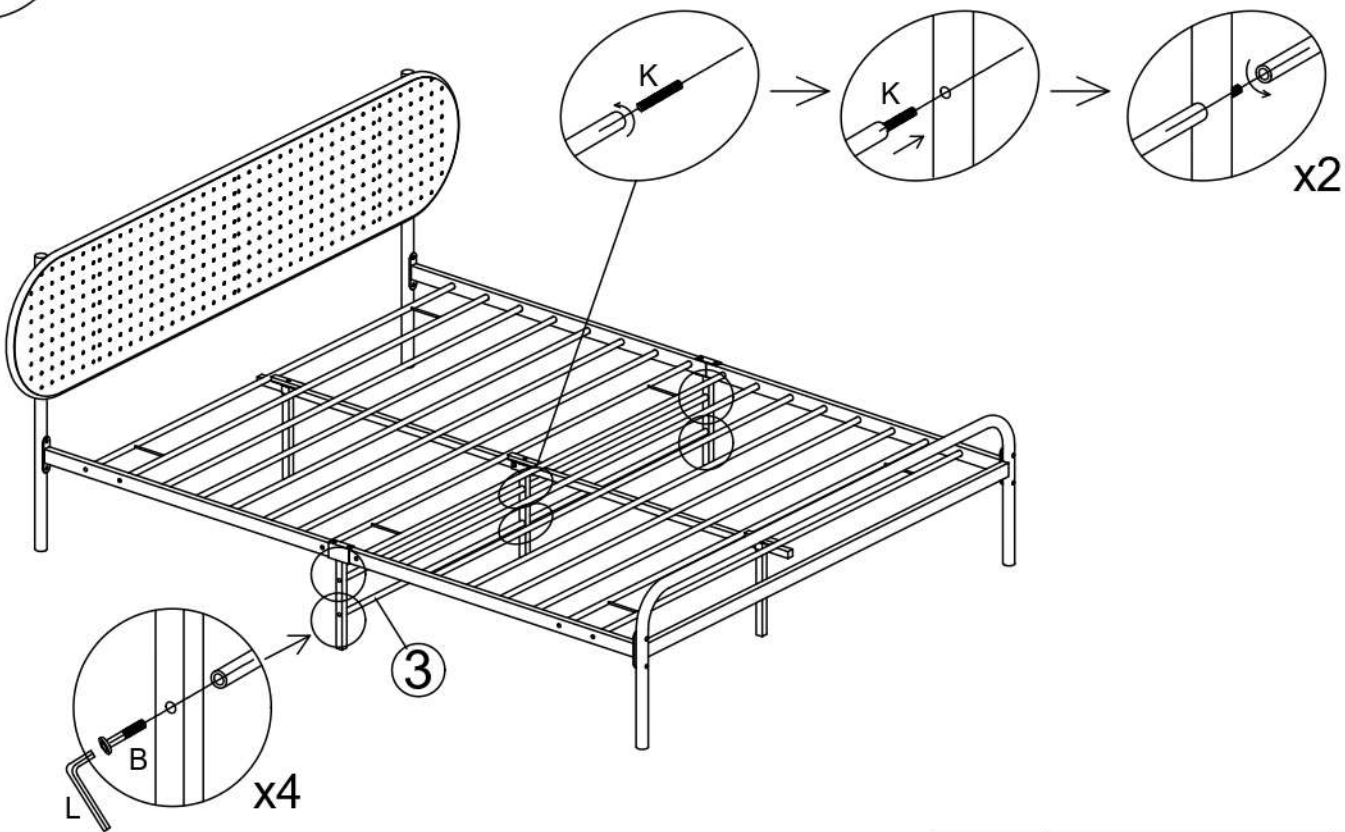
E		8
F	 M8X30	8
H	 M8X18	8



# 5



A		M6X16	2
D		M6X18	2
G		M8X45	3
J			3

# 6



B		M6X30	4
K		M6X50	2