

ASSEMBLY INSTRUCTIONS

Please read all instructions carefully before assembly.

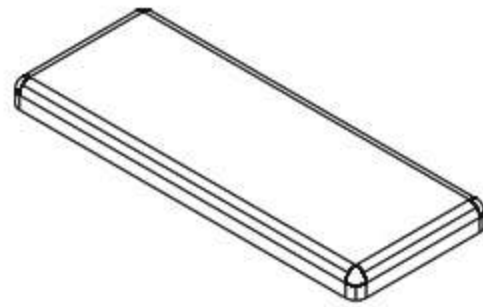
SHOE STORAGE BENCH

Model : SS-BN-BM-F5/F7

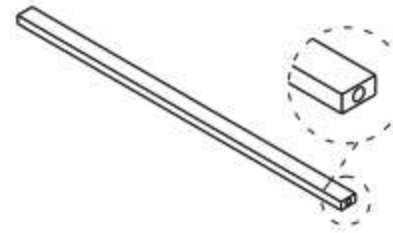
Parts and Hardware



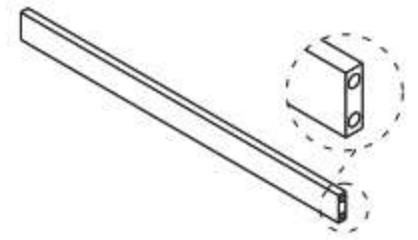
1 2pcs
Side frame



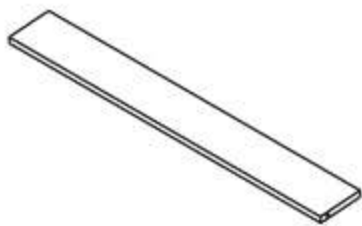
2 1pc
Bench cushion



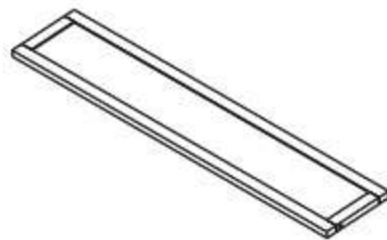
3 1pc
Support beam (narrow)



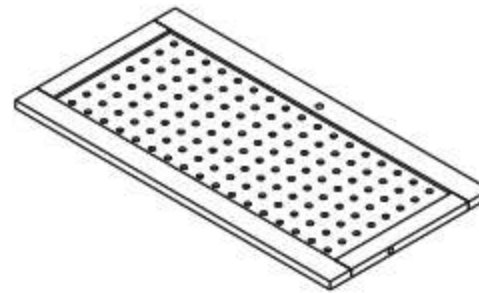
4 3pcs
Support beam (wide)



5 1pc
Rear panel



6 2pcs
Shelf panel



7 1pc
Door panel



8 1pc
Right side bracket



9 1pc
Left side bracket



10 2pcs
Metal pin



11 1pc
Door knob



12 2pcs
Screw plug



A 16pcs
Large screw



B 12pcs
Small screw



C 1pc
Medium screw

NOTE:

1. Beware of burrs and sharp edges of the panels. Wear gloves if necessary.
2. A screwdriver (not included) is required for the assembly process.
3. After opening the package, first classify the accessories according to the parts list, and then start the installation after classification.

ATTENTION

• Notice:


Recommended weight capacity: **100kg**

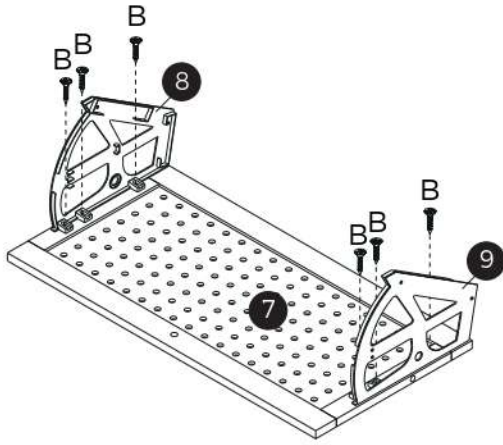
Assembly must be done by adults. Check the product regularly for any damage. Keep away from any hazardous contents.

• Caution:

Do not place the bamboo product in extremely dry or humid environments. Bamboo is prone to cracking in moisture content under 6% or above 16%.

Step 1

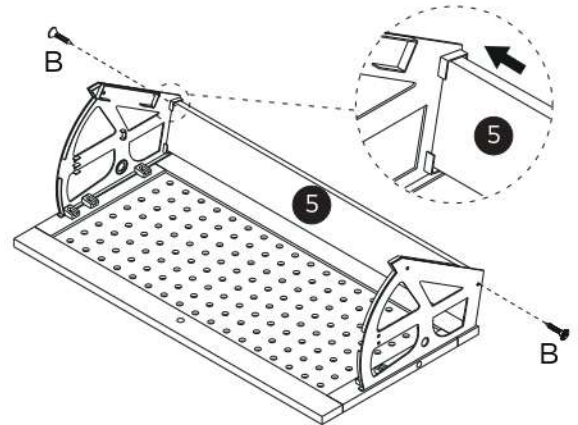
Part B
6pcs 



Attach Part 8 (Right side bracket) and Part 9 (Left side bracket) to Part 7 (Door panel) with screws B.


Step 2

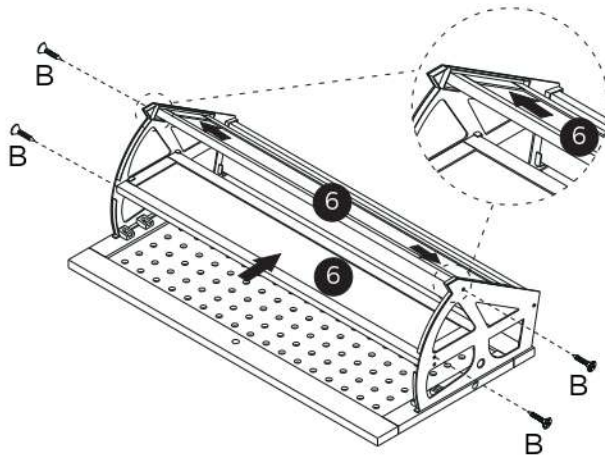
Part B
2pcs 



Attach Part 5 (Rear panel) to the assembly with screws B.

Step 3

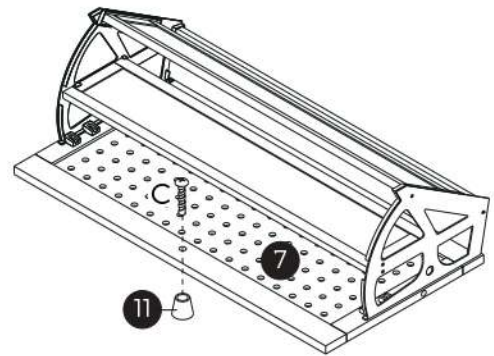
Part B
4pcs 



Attach Part 6 (Shelf panel) to the assembly with screws B.

Step 4

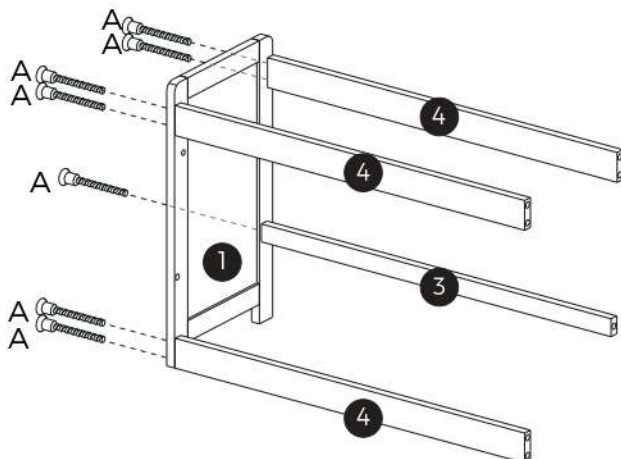
Part C
1pc 



Attach Part 11 (Door knob) to Part 7 (Door panel) with screw C.

Step 5

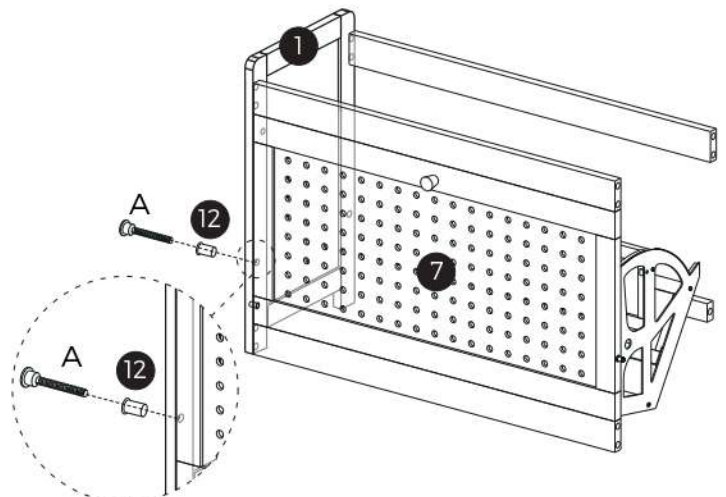
Part A
7pcs 



Attach Part 4 (Support beam-wide) and Part 3 (Support beam-narrow) to Part 1 (Side frame) with screws A.

Step 6

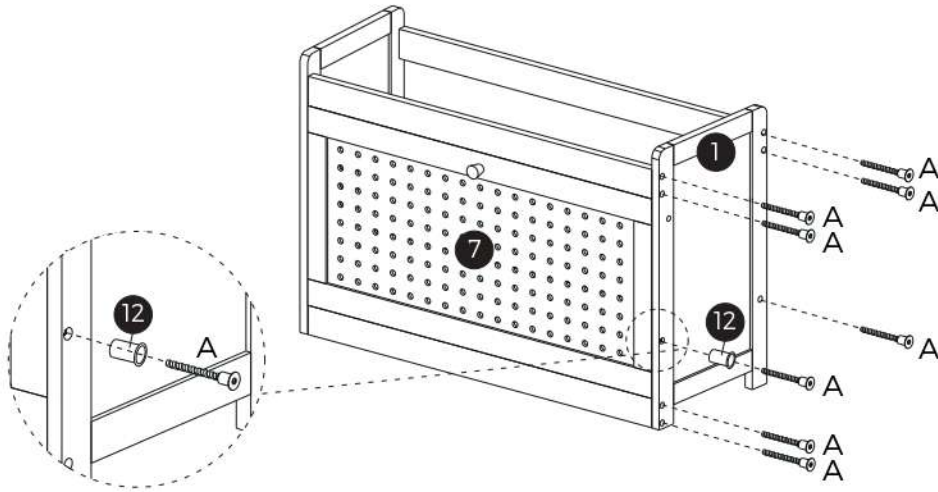
Part A
1pc 



Insert Part 12 (Screw plug) into Part 1 (Side frame). Then insert screw A through Part 12 to secure Part 7 (Door panel) to Part 1.

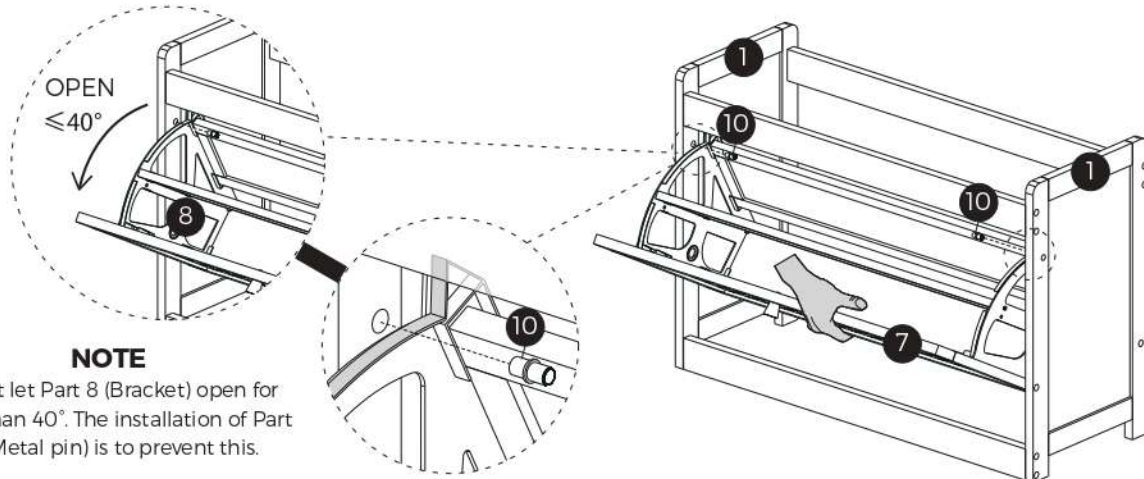
Step 7

Part A
8pcs



Insert Part 12 (Screw plug) into Part 1 (Side frame). Then insert screw A through Part 12 to secure Part 7 (Door panel) to Part 1.

Step 8

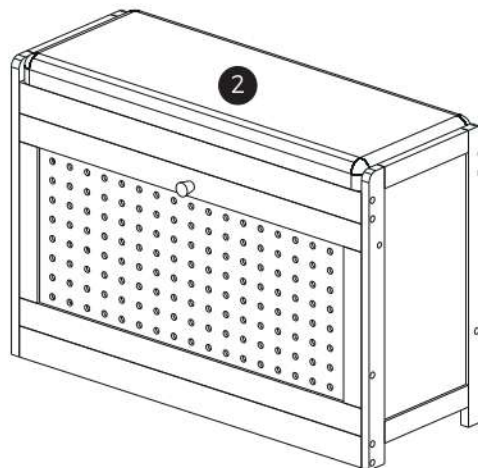


NOTE

Do not let Part 8 (Bracket) open for more than 40° . The installation of Part 10 (Metal pin) is to prevent this.

Insert Part 10 (Metal pin) into Part 1 (Side frame). Repeat this step for the other side.

Step 9



Place Part 2 (Bench cushion) on top of the completed assembly.

CARE AND MAINTENANCE OF BAMBOO FURNITURE

GENERAL

- Periodically check all screws, bolts and joints connections and tighten them if necessary.
- Periodically check for any damage and deteriorated parts and components and seek repairs or replacements if needed.
- Do not allow any liquids to remain on the furniture as this may cause stains and allow the liquid to be absorbed into the finishes and materials.
- In some cases, this may also cause warping and/or cracking of the materials and finishes. Use coasters and placemats for all food and beverages.
- Do not place hot items, such as dishes, pots and cups, directly on the furniture. Use coasters and placemats for all food and beverages.
- Keep sharp and pointed objects away from furniture to avoid damaging the surface and finish.
- Do not place the furniture near hot objects, heating vents or heating equipment.
- Do not place the furniture in moist areas such as bathrooms to prevent water damage.

CLEANING AND CARE

- Dust the furniture regularly using a soft cloth or microfibre duster to prevent dust build-up. Consider using a vacuum cleaner to thoroughly clean it.
- Only wipe and clean with a soft, damp cloth with a mild cleaning detergent. Use a toothbrush to clean hard-to-reach spots.
- Allow the washed furniture to dry in the shade rather than in the sun which can dry out bamboo too quickly.
- Do not use a jet wash as this can damage the material.
- Do not use chemicals with bamboo furniture as it may cause unnecessary staining.
- If there are stains or liquid spills, clean it immediately to reduce the likelihood of the stain settling in and becoming permanent.

ENVIRONMENTAL

- Do not expose the furniture to direct sunlight. Use curtains and blinds to shield the furniture if direct sunlight is unavoidable.
- In dry or hot indoor conditions, wipe the furniture with a cool, damp sponge often to prevent cracking.
- Bamboo furniture is prone to damage and fade with prolonged exposure to extremely high or low humidity conditions. Do not place them in such extreme conditions.
- Bamboo is porous and susceptible to moulding where placed around moist areas. As an optional protection for bamboo furniture, apply a bamboo sealant/varnish on it for durable protection against scratches, water, UV rays and other weather elements.

HANDLING

- Do not drag, push or pull furniture when moving them. Lift them up to avoid damage to the furniture legs and scratches on floors.
- Do not sit on wet bamboo furniture as this will cause it to stretch or sag.
- Avoid sitting or standing on armrests or use the furniture as a stepping stool for safety reasons.
- Do not exceed the recommended weight capacities of the furniture specified.
- Do not use the furniture for any purpose other than what is intended for.

CARE AND MAINTENANCE - UPHOLSTERY

CLEANING

- Dust the furniture regularly using a soft cloth or microfibre duster to prevent dust build-up
- Follow the manufacturer's recommendations strictly for cleaning the specific upholstery type.
- Only use cleaning products designed for upholstery and avoid all harsh or abrasive cleaning solvents.
- Vacuum regularly with a soft, non-metallic brush to remove dust and grime and to prevent overall soiling.
- If removable, wash upholstery covers periodically. If machine washable, use a cold wash cycle.
- Do not use a dryer. Only air dry the upholstery covers.
- Engage professional upholstery cleaning services for deeper cleaning if required.

SPILL AND STAINS

- Treat all stains right away. Clean the stains with water, upholstery shampoo or a suitable spot cleaner.
- Do not leave the stains to dry as it will make them harder to clean.
- Wipe up any excess liquid or solids and work from the edge of the stain inwards to avoid spreading.

POLYESTER UPHOLSTERY

- Use a soft-bristle brush to gently agitate the material and manually unbind dirt from the polyester. Then use a hand-held vacuum cleaner to remove the loose dirt and debris.
- Use lukewarm water, mild soap and a non-abrasive cloth to clean. Follow up by drying with a soft cloth, such as a microfibre cloth.
- If the polyester upholstery has a cleaning code label, use the appropriate cleaning solution to clean it. There are four types of cleaning codes on the label:

W	Liquid solvents can be used to clean this fabric.
S	Only dry-cleaning solutions can be used on this type of fabric.
S/W	Both liquid and dry solvents will work.
X	Only specialised cleaning by professionals.

- When using a cleaning product, test it on a small hidden part first to check that there are no adverse effects with the polyester fabric.
- Use a disinfecting surface cleaner to deodorize and sanitize the furniture as a final step. Choose a surface cleaner that does not have strong chemicals to effectively and safely disinfect the polyester upholstery. Let it air dry when done.

PU LEATHER UPHOLSTERY

- Vacuum regularly to prevent the buildup of dirt and dust on the fabric.
- Use an appropriate leather conditioner to add a thin protective layer on the leather surface to facilitate easier cleaning.
- Use lukewarm water, mild soap and a non-abrasive cloth to clean. Follow up by drying with a soft cloth, such as a microfibre cloth.
- Do not expose the leather furniture to direct sunlight or high heat to prevent leather cracking.
- Never use general household chemicals to clean leather.
- Be mindful of skin contact on leather as body sweat and oils can break down the top coat seal of leather surfaces.
- When using a leather cleaning product, test it on a small hidden part first to check that there is no adverse reaction with the leather.
- Do not use bleach to remove stains on leather as it will affect the structure of the leather fabric.

VELVET / SHERPA / BOUCLE UPHOLSTERY

- Vacuum regularly to prevent the buildup of dirt and dust on the fabric.
- After vacuuming, use a soft-bristle brush to gently brush the fabric to restore the plush appearance.
- Use lukewarm water, mild soap and a non-abrasive cloth to clean. Follow up by drying with a soft cloth, such as a microfibre cloth.
- Only air dry the fabric.
- Do not iron the fabric.
- Position the furniture away from direct sunlight or use curtains and blinds to protect it from excessive exposure.