

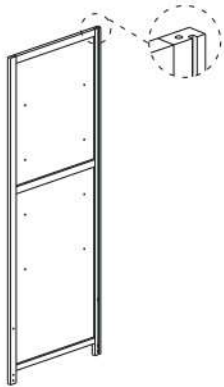
ASSEMBLY INSTRUCTIONS

Please read all instructions carefully before assembly.

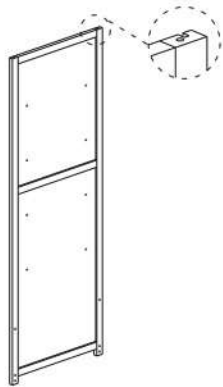
SHOE STORAGE
CABINET

Model : SS-BM-ARCH-2D

Parts and Hardware



1 1pc
Right frame



2 1pc
Left frame



3 2pcs
Rear panel



4 2pcs
Door panel



5 1pc
Rear support post



6 4pcs
Shelf panel



7 2pcs
Shelf base panel



8 1pc
Top panel



9 2pcs
Bottom beam bar



10 4pcs
Metal rod connector



11 2pcs
Magnetic door catch



12 4pcs
Metal plate



13 2pcs
Door knob



A 34pcs
Large screw



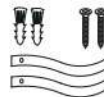
B 2pcs
Medium screw



C 4pcs
Small screw (short)



D 4pcs
Small screw (long)



E 1 set
Wall-locked kit

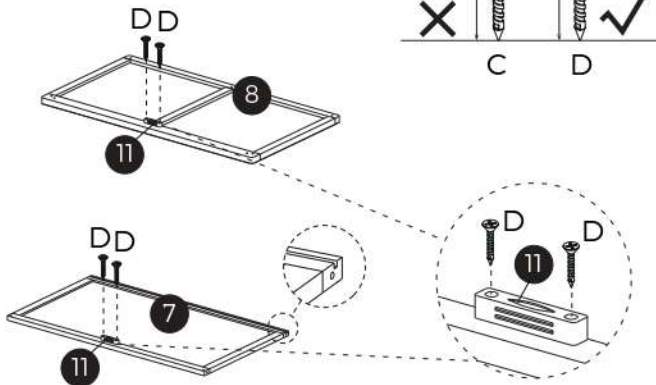
NOTE

1. Beware of burrs and sharp edges of the panels. Wear gloves if necessary.
2. A screwdriver (not included) is required for the assembly process.
3. In the actual installation process, it will be more convenient to carry out Steps 2 to 6 with the product laid down.

Step 1

Part D

4pcs



Attach Part 11 (magnetic door catch) to both Part 7 (shelf base panel) and Part 8 (top shelf panel) with screws D.

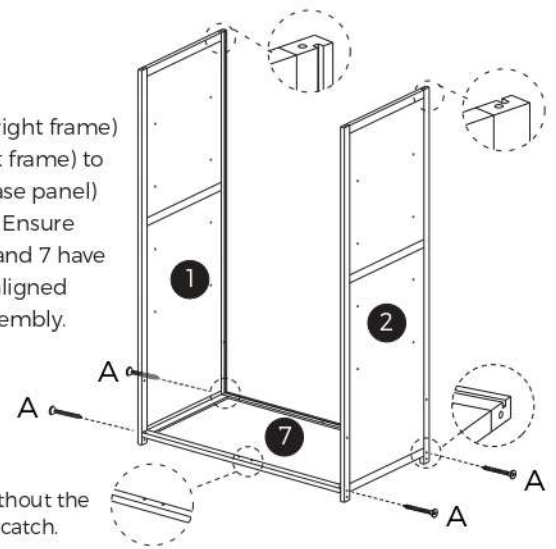
Step 2

Part A

4pcs



Attach Part 1 (right frame) and Part 2 (left frame) to Part 7 (shelf base panel) with screws A. Ensure that Parts 1, 2 and 7 have their grooves aligned during the assembly.

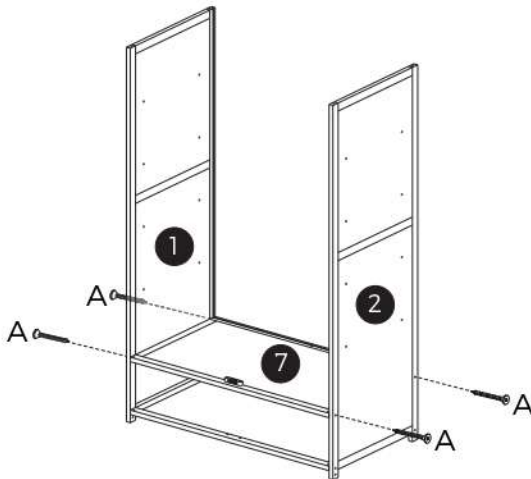


Note:
This Part 7 is without the magnetic door catch.

Step 3

Part A

4pcs

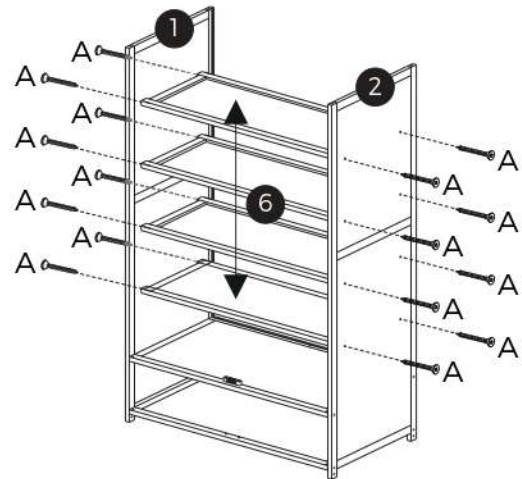


Attach Part 7 (shelf base panel with magnetic door catch) to Part 1 (right frame) and Part 2 (left frame) with screws A. Ensure that the grooves of all parts are aligned during the assembly.

Step 4

Part A

16pcs

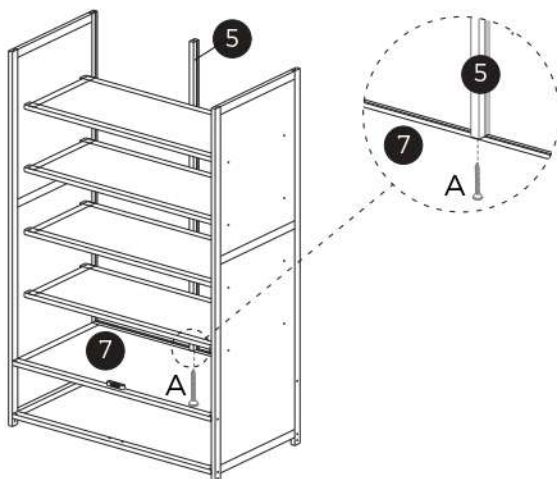


Attach four Part 6 (shelf panel) to Part 1 (right frame) and Part 2 (left frame) with screws A.

Step 5

Part A

1pc



Attach Part 5 (rear support post) to Part 7 (shelf base panel) as shown with screws A.

Step 6

Insert two Part 3 (rear panel) into the grooves of the assembled parts as shown.

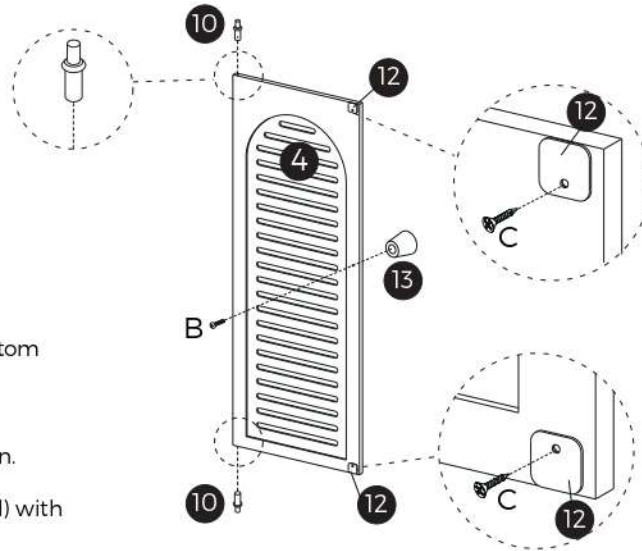
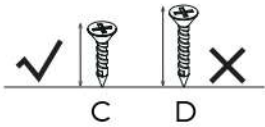


Step 7

Part B
2pcs



Part C
4pcs



x2

Assemble 2 sets

Attach Part 12 (metal plate) to the top and bottom edges of Part 4 (door panel) with screws C.

Insert Part 10 (metal rod connector) into the designated slots of Part 4 (door panel) as shown.

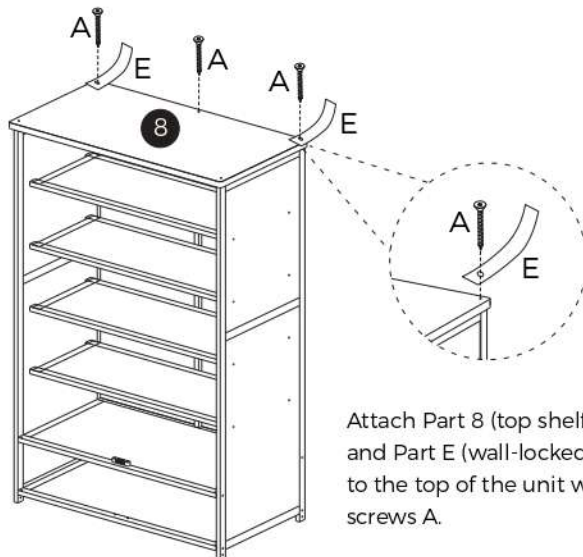
Install Part 13 (door knob) on Part 4 (door panel) with screw B.

Step 8

Part A
3pcs



Part E
2pcs



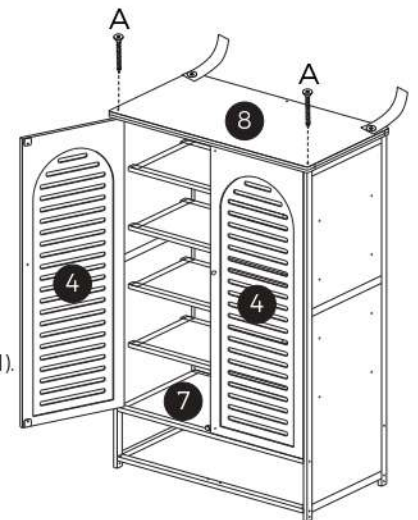
Attach Part 8 (top shelf panel) and Part E (wall-locked kit) to the top of the unit with screws A.

Step 9

Part A
2pcs

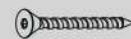


Attach the assembled Part 4 (door panel) to the unit using Part 10 (metal rod connector) to insert into the designated slots of Part 8 (top shelf panel) and Part 7 (shelf base panel). Finally, secure the door panels with screws A.



Step 10

Part A
4pcs



Part E
1 set

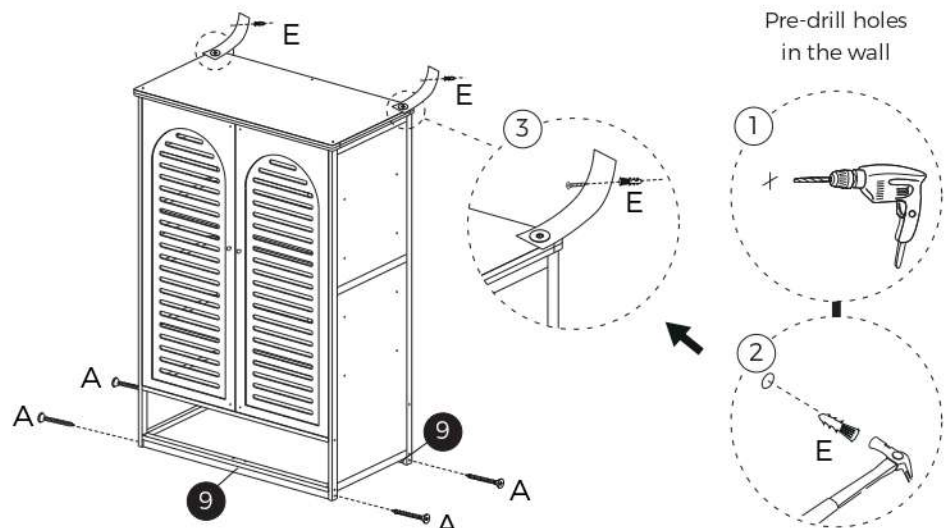


WARNING

It is very important to secure this furniture with an anchoring device for your safety in use.

Attach Part 9 (bottom beam bar) to the base of the unit with screws A as shown.

Anchor the unit to the wall with Part E (wall-locked kit).



CARE AND MAINTENANCE OF BAMBOO FURNITURE

GENERAL

- Periodically check all screws, bolts and joints connections and tighten them if necessary.
- Periodically check for any damage and deteriorated parts and components and seek repairs or replacements if needed.
- Do not allow any liquids to remain on the furniture as this may cause stains and allow the liquid to be absorbed into the finishes and materials.
- In some cases, this may also cause warping and/or cracking of the materials and finishes. Use coasters and placemats for all food and beverages.
- Do not place hot items, such as dishes, pots and cups, directly on the furniture. Use coasters and placemats for all food and beverages.
- Keep sharp and pointed objects away from furniture to avoid damaging the surface and finish.
- Do not place the furniture near hot objects, heating vents or heating equipment.
- Do not place the furniture in moist areas such as bathrooms to prevent water damage.

CLEANING AND CARE

- Dust the furniture regularly using a soft cloth or microfibre duster to prevent dust build-up. Consider using a vacuum cleaner to thoroughly clean it.
- Only wipe and clean with a soft, damp cloth with a mild cleaning detergent. Use a toothbrush to clean hard-to-reach spots.
- Allow the washed furniture to dry in the shade rather than in the sun which can dry out bamboo too quickly.
- Do not use a jet wash as this can damage the material.
- Do not use chemicals with bamboo furniture as it may cause unnecessary staining.
- If there are stains or liquid spills, clean it immediately to reduce the likelihood of the stain settling in and becoming permanent.

ENVIRONMENTAL

- Do not expose the furniture to direct sunlight. Use curtains and blinds to shield the furniture if direct sunlight is unavoidable.
- In dry or hot indoor conditions, wipe the furniture with a cool, damp sponge often to prevent cracking.
- Bamboo furniture is prone to damage and fade with prolonged exposure to extremely high or low humidity conditions. Do not place them in such extreme conditions.
- Bamboo is porous and susceptible to moulding where placed around moist areas. As an optional protection for bamboo furniture, apply a bamboo sealant/varnish on it for durable protection against scratches, water, UV rays and other weather elements.

HANDLING

- Do not drag, push or pull furniture when moving them. Lift them up to avoid damage to the furniture legs and scratches on floors.
- Do not sit on wet bamboo furniture as this will cause it to stretch or sag.
- Avoid sitting or standing on armrests or use the furniture as a stepping stool for safety reasons.
- Do not exceed the recommended weight capacities of the furniture specified.
- Do not use the furniture for any purpose other than what is intended for.

⚠ WARNING





Children have died from furniture tipover.

- ALWAYS secure this furniture with an anchor device.
- NEVER allow children to stand, climb or hang on drawers, doors, or shelves.
- NEVER open more than one drawer at a time.
- Place heavy items down low.

NEVER put a TV on this furniture



ATTENTION

• Notice:

Recommended weight capacity: Each shelf rack: **10kg**
Assembly must be done by adults. Check the product regularly for any damage.
Keep away from any hazardous contents.

- **Caution:** Do not place the bamboo product in extremely dry or humid environments. Bamboo is prone to cracking in moisture content under 6% or above 16%.