

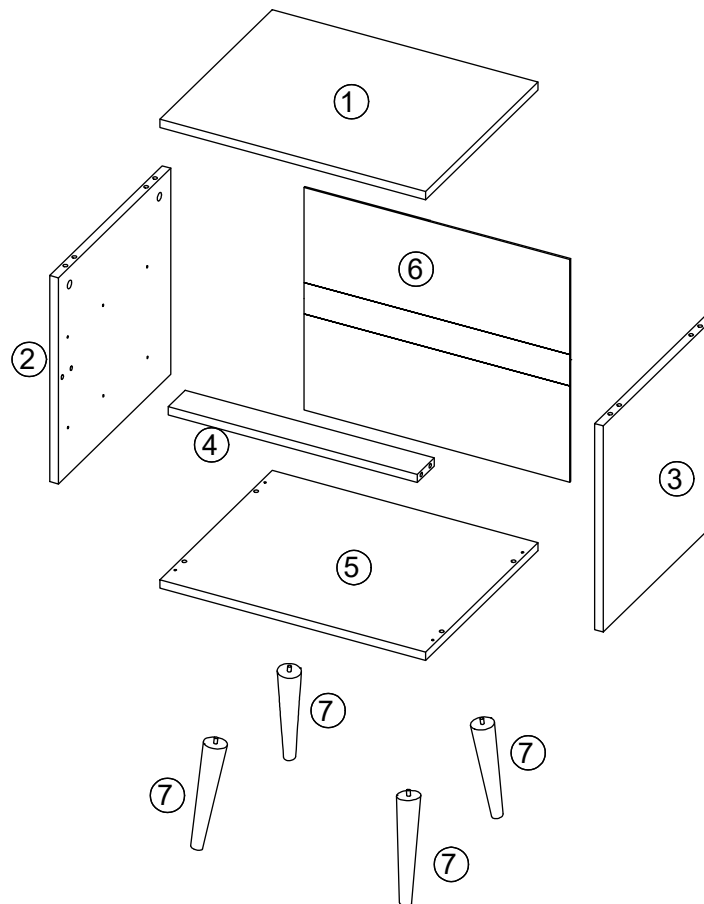
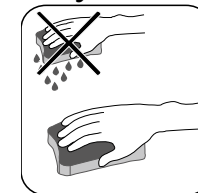
# BEDSIDE TABLE

MODEL:BT-A26-UCAN-WD/BK/WH



# PARTS

Wipe with dry cloths



## ASSEMBLY INSTRUCTIONS

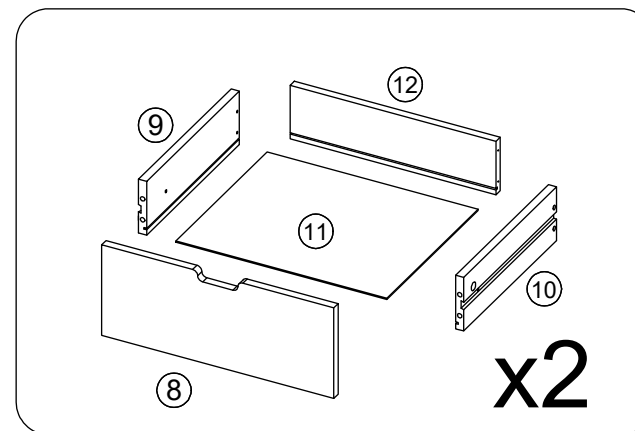
Please read instructions carefully before assembly.



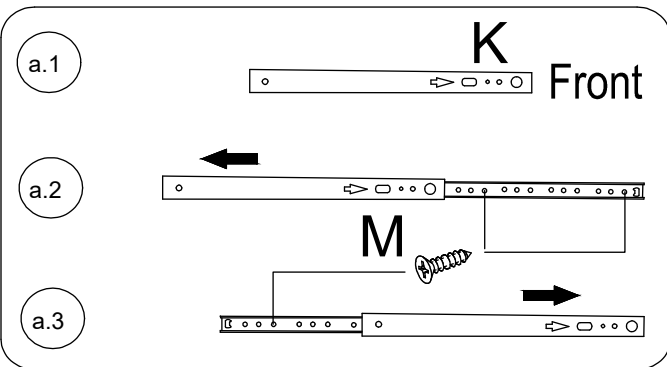
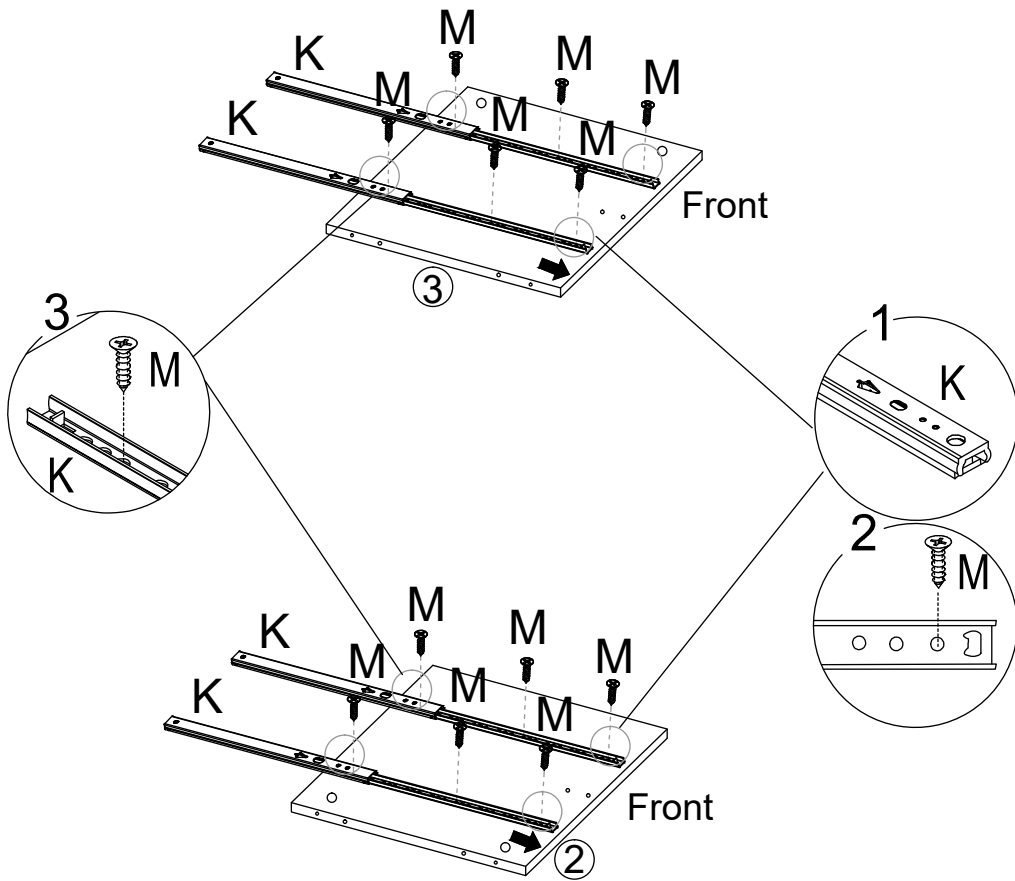
Two persons and tools required for assembly

## HARDWARE

A	x8	B	x4	C	x16	D	x14	E	x4	F	x4
7x35mm		15x12mm		Ø6x30mm		M4x40mm		12x10mm			
G	x10	H	x20	K	x4	M	x12	N	x4	O	x4
		M4x12mm		246mm		M3x12mm				M4x11mm	

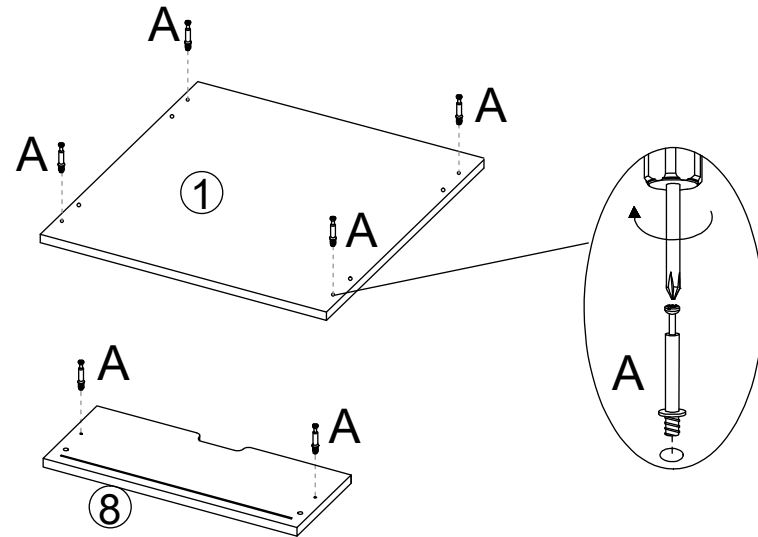


1



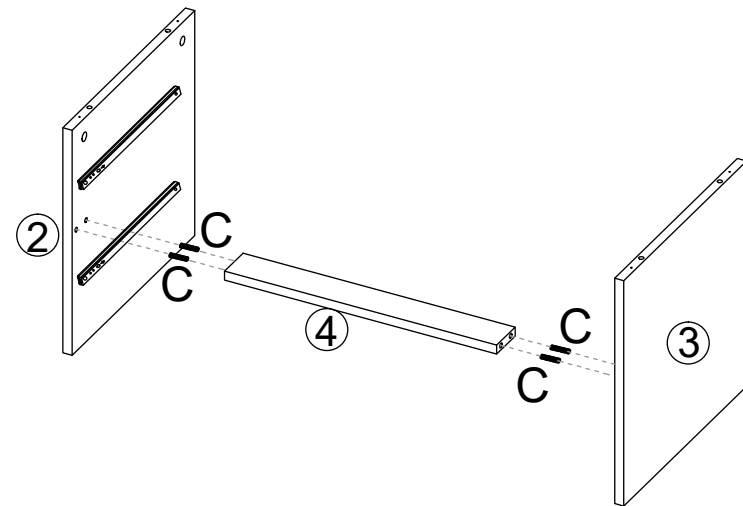
K	x4	M	x12
	246mm		M3x12mm

2



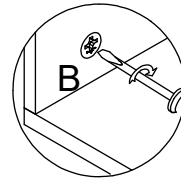
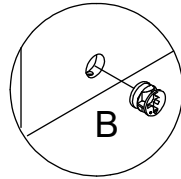
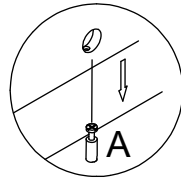
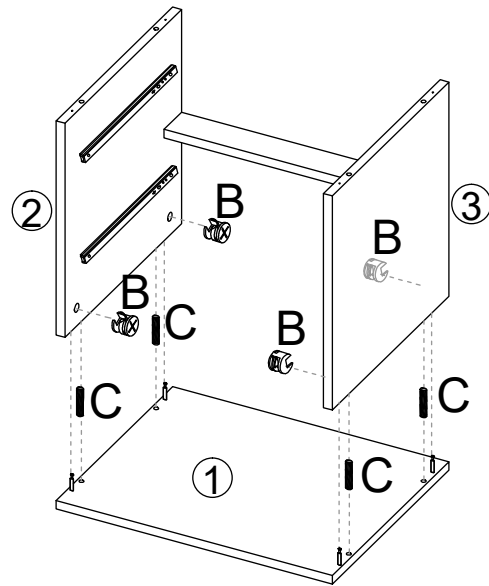
A	x6
	7x35mm



3



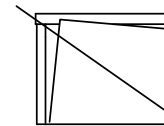
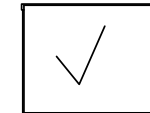
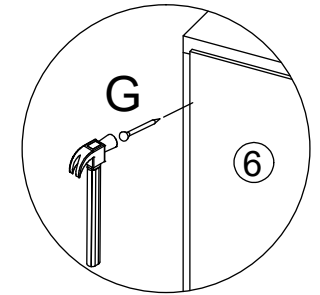
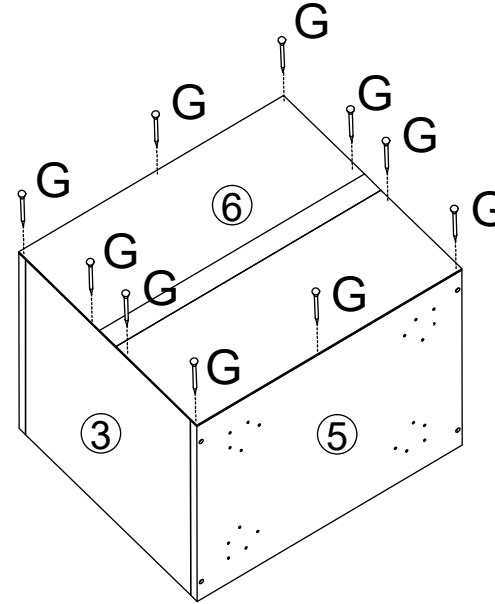
C	x4
	Ø6x30mm

4




C	x4	B	x4
			
Ø6x30mm		15x12mm	

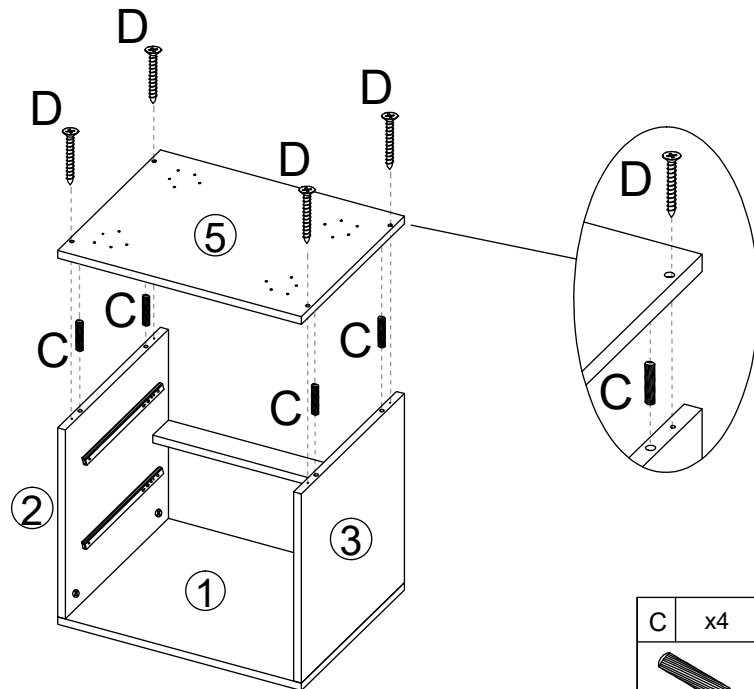
6





rear panels

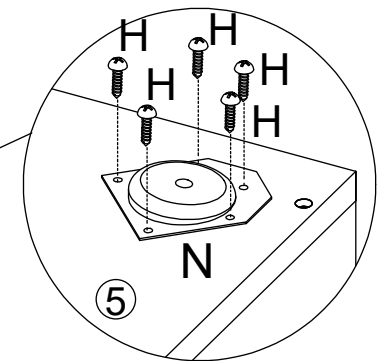
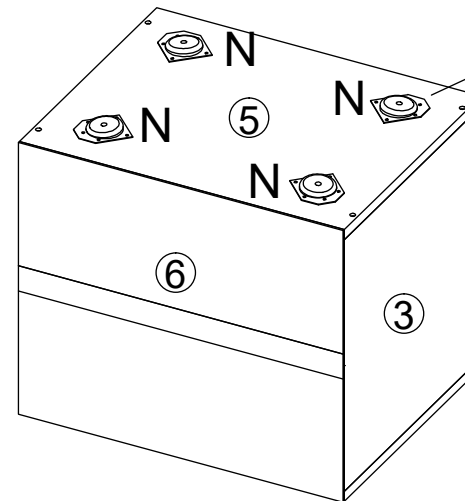
G	x10
	



5



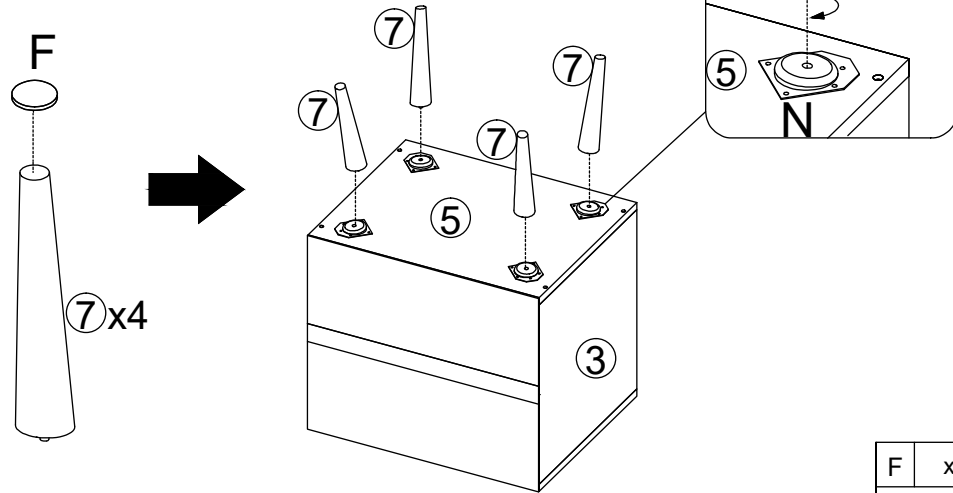
C	x4	D	x4
			
Ø6x30mm		M4x40mm	


7



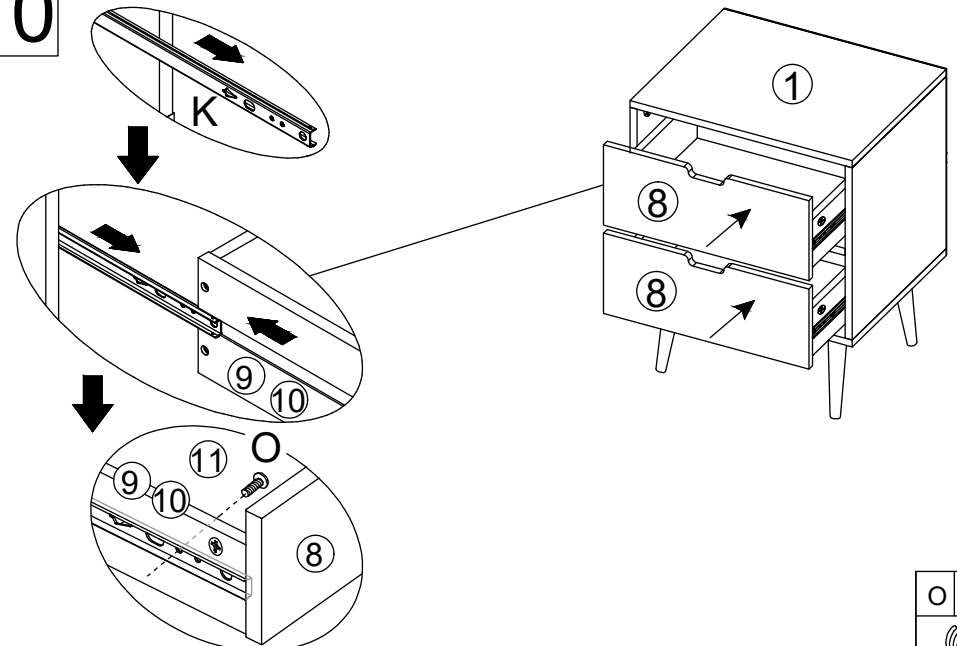
N	x4	H	x20
			
		M4x12mm	


8



F	x4
	

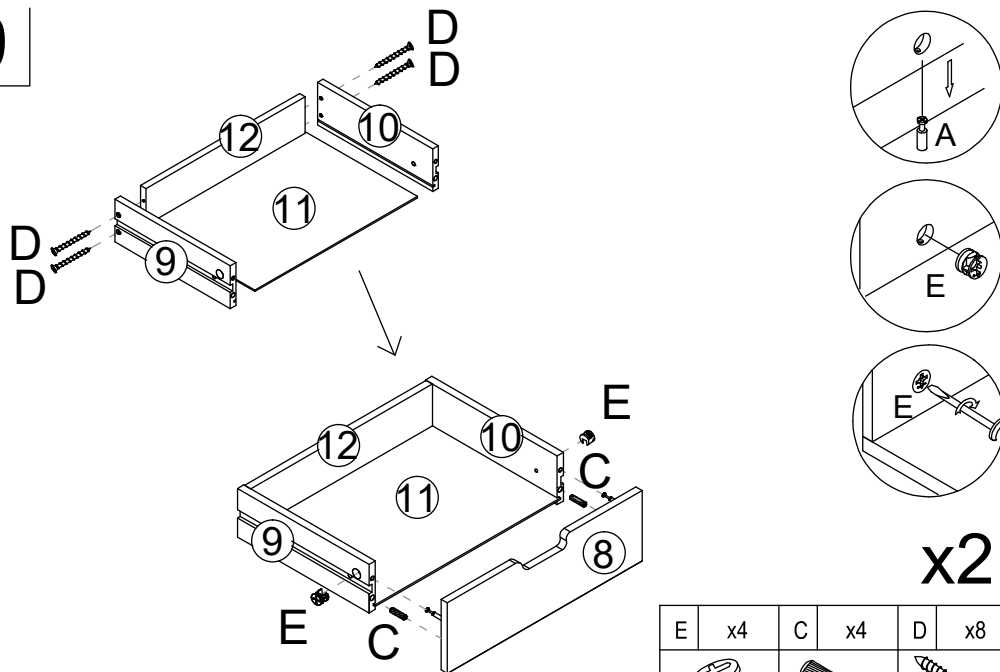
10






O	x4
	

Screw from the inside of the drawers

9



x2

E	x4	C	x4	D	x8
					
12x10mm		Ø6x30mm		M4x40mm	

