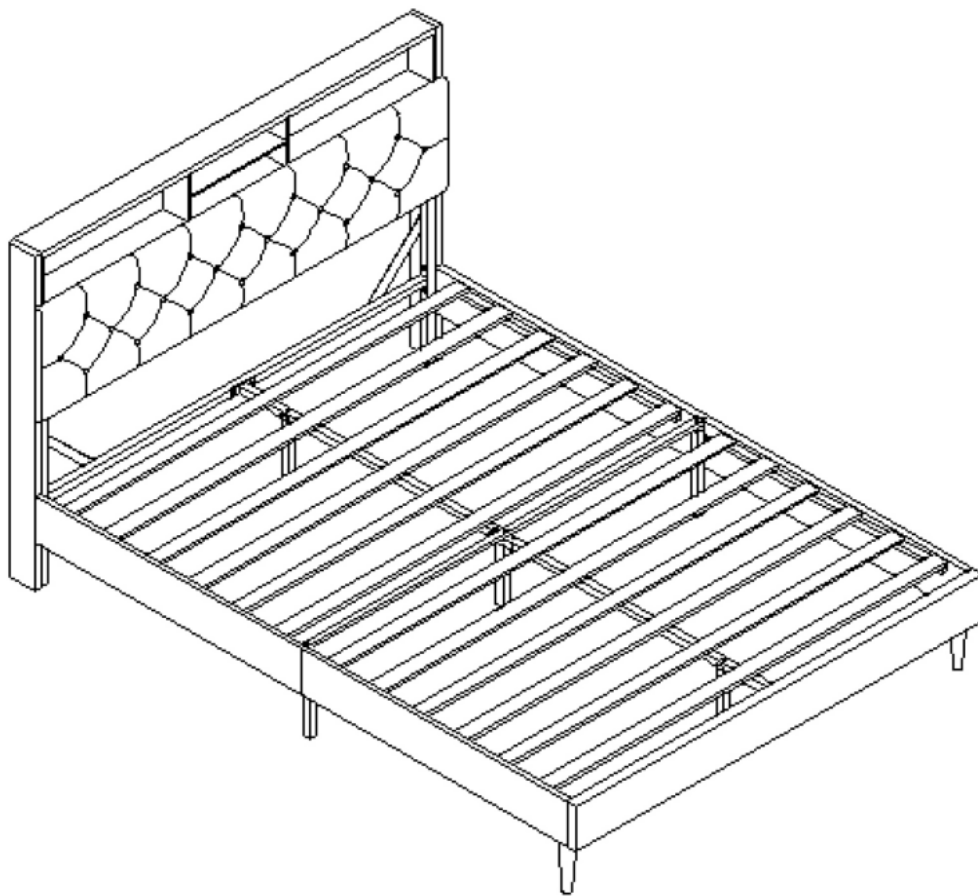
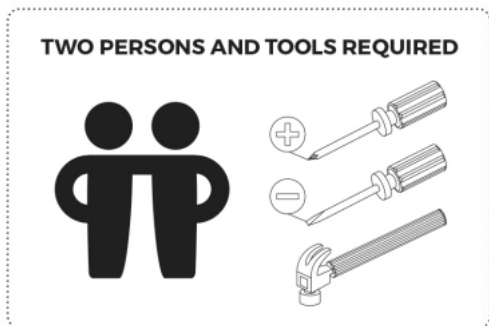


# ASSEMBLY INSTRUCTIONS

Please read the instructions carefully before assembly and keep it for future reference.



## BED FRAME

Model:BF-C-NOVI-D Q

Version1.0

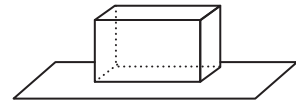
## Assembly and Maintenance Tips



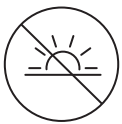
1. Keep children and pets away from the working area as small parts may cause choking if swallowed.



2. Some furniture may require two persons to assemble for safety reasons.



3. To protect the surfaces of the furniture, lay the parts and perform the assembly on top of a soft mat (such as a carpet or cardboard).



4. Keep the furniture away from direct sunlight to avoid fading.



5. Use a soft, damp cloth to clean or wipe surfaces.



6. Never use ammonia-based or abrasive cleaning products to clean as they may damage the finish.

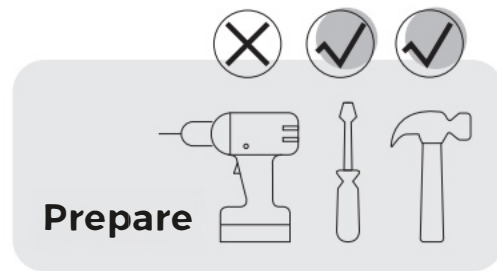


7. Do not place liquids or wet items on furniture as they may leave water marks/stains. Always use a coaster or runner to protect the furniture surface.

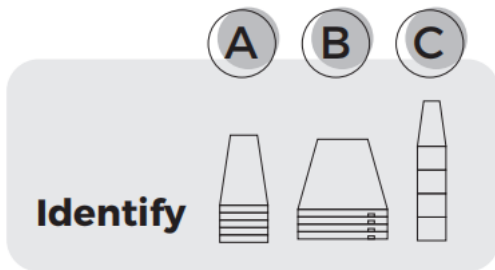
# Assembly Checklist



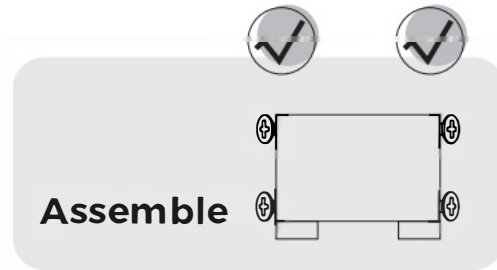
Read through the instructions carefully before you begin.



Make sure you have all the required tools. Never use power tools unless instructed.



Identify and lay out all of the components before you begin assembly.

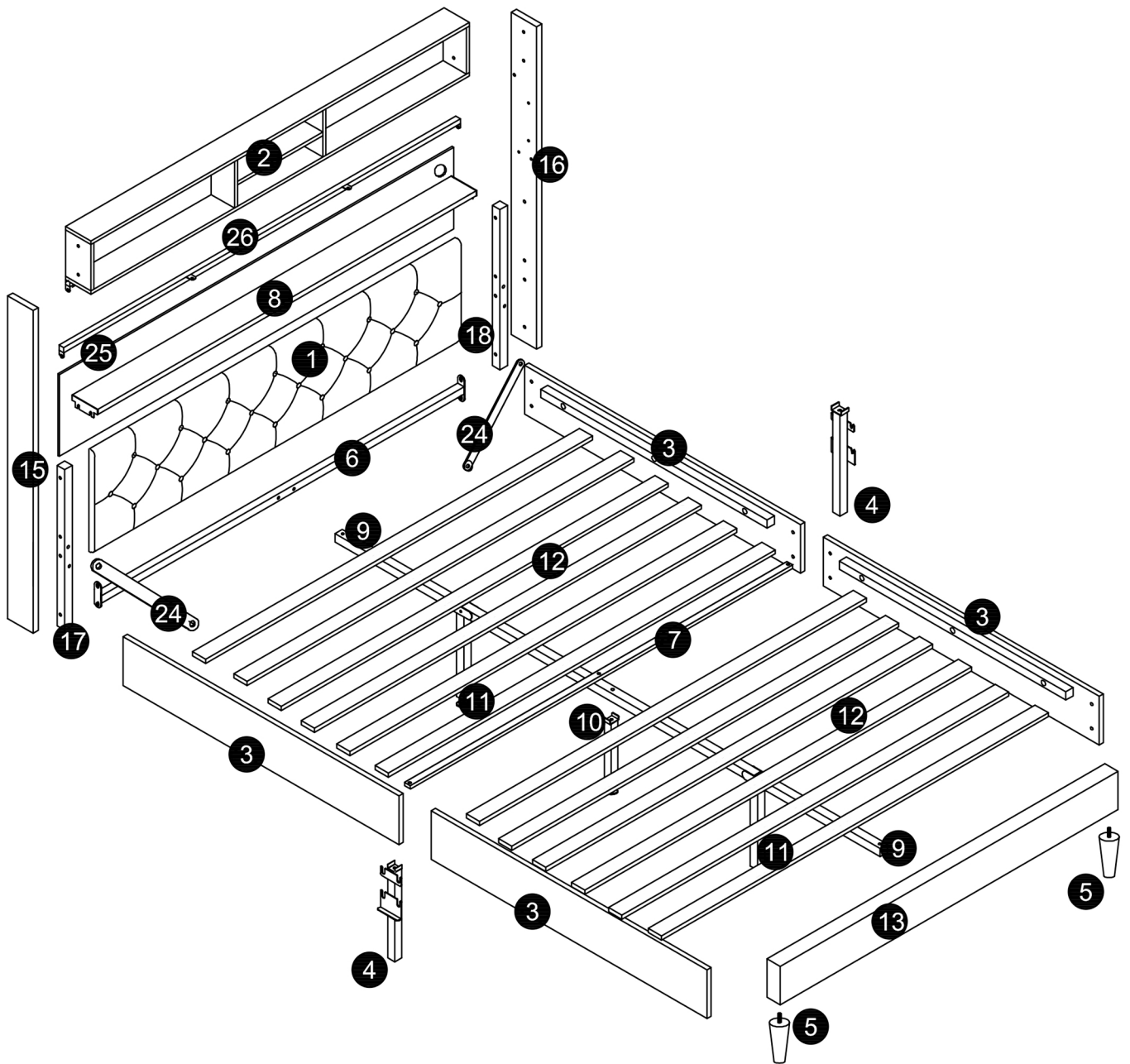


Please fully tighten all screws during the assembly process unless instructed not to do so.

## Helpful Information

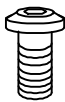
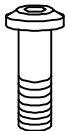
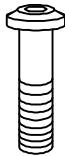
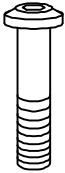
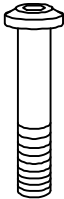


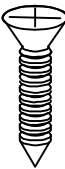
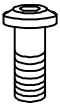
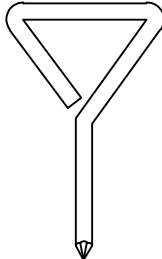



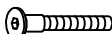


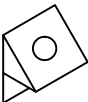

- ! Never use power tools unless specifically instructed. They can damage your components or hardware if used incorrectly.
- ! The most common mistakes made during assembly are using the wrong hardware or getting components back to front.
- ! When assembling the product it is recommended to do so on top of a soft surface such as a carpet or cardboard to avoid scratches and damages to the furniture surfaces.
- ! Bulky items such as wardrobes should be assembled in the location when the assembled piece will be used to avoid moving them through doors or tight passages.
- ! Never use any glue until you are certain that the parts belong together.
- ! Periodically check that all connections are secured and follow all care and maintenance instructions stated.
- ! If you encounter any assembly difficulties or missing components and/or hardware, please contact our Customer Support for further assistance.

# Parts List



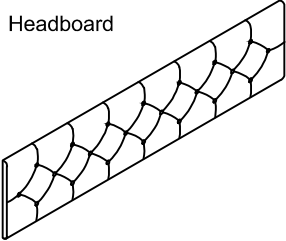
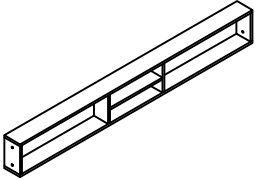
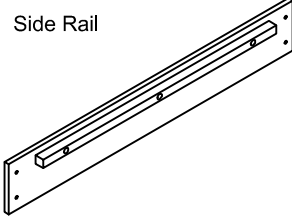


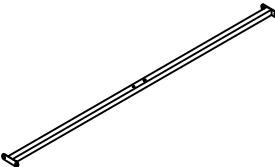
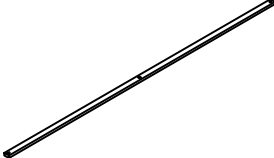
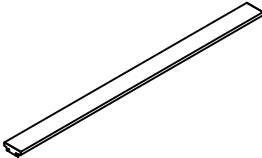
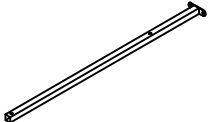
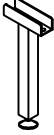

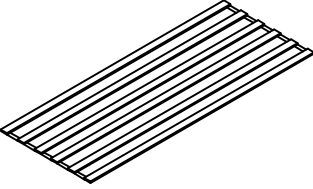
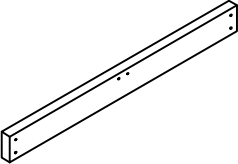
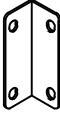






# Hardware List

Please ensure that all hardware are in the packaging contents. If there are any missing hardware, please contact our Customer Support as soon as possible.

<p><b>Part A</b> 20+2 pcs M8*15mm</p> 	<p><b>Part B</b> 30+4 pcs M8x20mm</p> 	<p><b>Part C</b> 4+1 pcs M8x30mm</p> 	<p><b>Part D</b> 6+2 pcs M8x35mm</p> 
<p><b>Part E</b> 5+2 pcs M8x48mm</p> 	<p><b>Part F</b> 10+2 pcs M8*Φ22mm</p> 	<p><b>Part G</b> 1 pc M8</p> 	<p><b>Part H</b> 8+2 pcs M4*30mm</p> 
<p><b>Part I</b> 2 pcs M6x10mm</p> 	<p><b>Part J</b> 1 pc</p> 	<p><b>Part V</b> 4+1 pcs M8*Φ22mm</p>  <p><b>Golden</b></p>	<p><b>Part K</b> 8+1 pcs</p> 
<p><b>Part L</b> 8+1 pcs</p> 	<p><b>Part P</b> 12+2 pcs M5*35mm</p> 	<p><b>Part Q</b> 1 pc M3</p> 	<p><b>Part U</b> 1 pc M6</p> 
<p><b>Part R</b> 3 pcs</p> 	<p><b>Part T</b> 3 pcs M3*16mm</p> 		




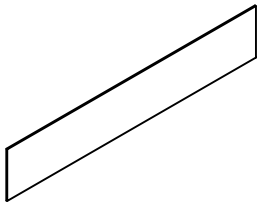
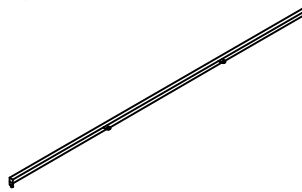
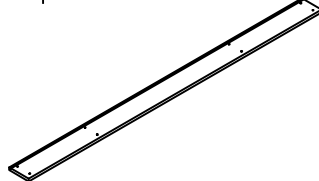
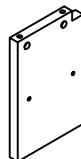
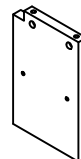
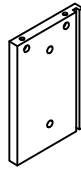
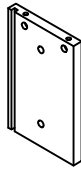
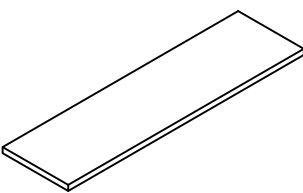
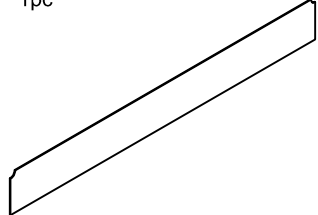
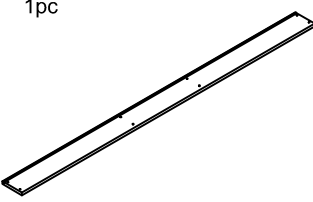
# Parts List

Please ensure that all parts are in the packaging contents. If there are any missing parts, please contact our Customer Support as soon as possible

<p>Part 1 1pc Headboard</p> 	<p>Part 2 1pc Cabinet</p> 	<p>Part 3 4pc Side Rail</p> 	<p>Part 4 2pcs</p> 
<p>Part 5 2pcs</p> 	<p>Part 6 1pc</p> 	<p>Part 7 1pc</p> 	<p>Part 8 1pc</p> 
<p>Part 9 2pcs</p> 	<p>Part 10 1pc</p> 	<p>Part 11 2pcs</p> 	<p>Part 12 2pcs</p> 
<p>Part 13 1pc</p> 	<p>Part 14 2pcs</p> 	<p>Part 15 1pc</p> 	<p>Part 16 1pc</p> 
<p>Part 17 1 pcs</p> 	<p>Part 18 1 pcs</p> 	<p>Part 20 1pc</p> 	<p>Part 21 1pc</p> 

# Parts List

Please ensure that all parts are in the packaging contents.If there are any missing parts,please contact our Customer Support as soon as possible

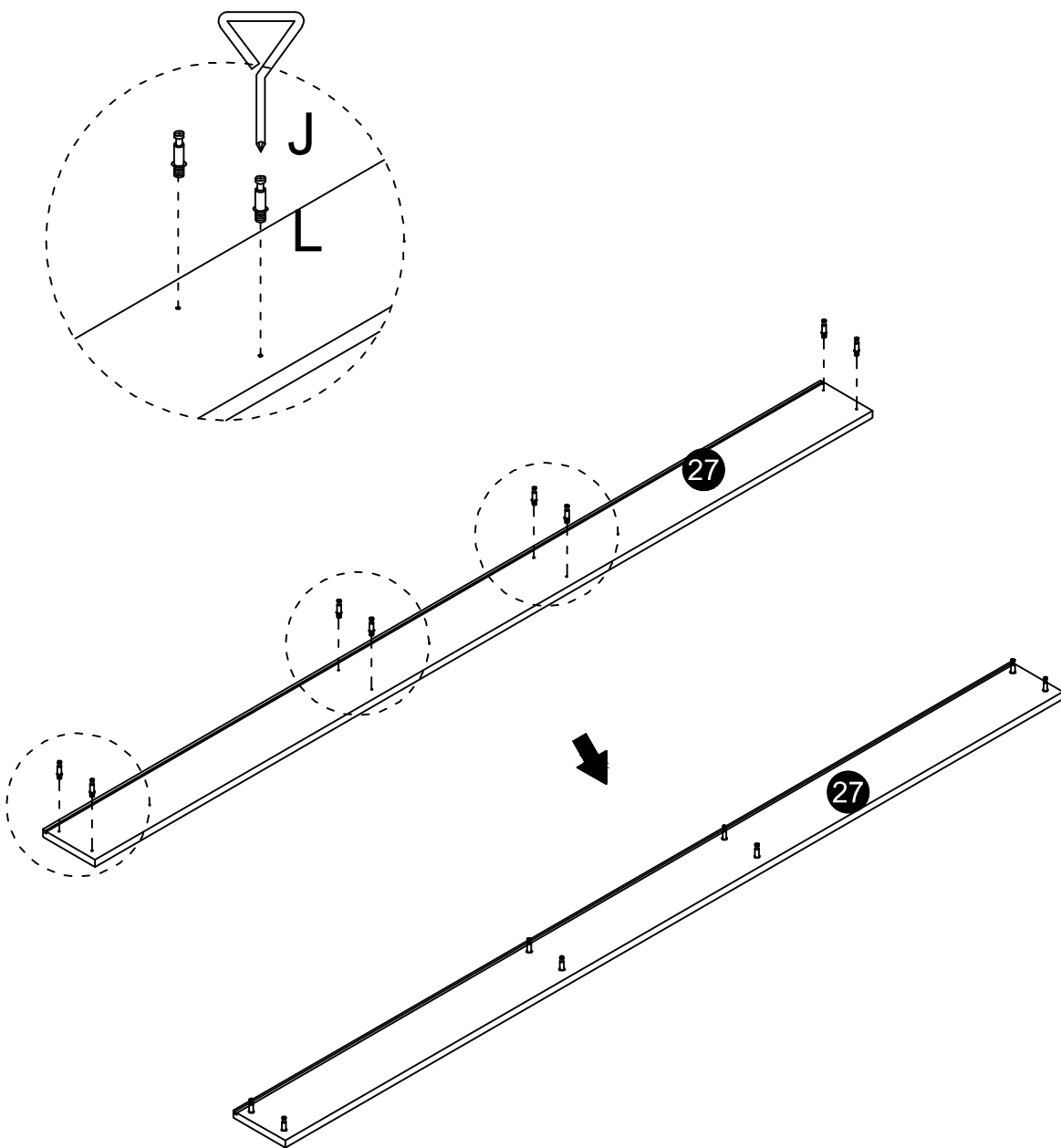
<p>Part 22 1pc</p> 	<p>Part 23 1pc</p> 	<p>Part 24 2pcs</p> 	<p>Part 25 1pc</p> 
<p>Part 26 1pc</p> 	<p>Part 27 1pc</p> 	<p>Part 28 1pc</p> 	<p>Part 29 1pc</p> 
<p>Part 30 1pc</p> 	<p>Part 31 1pc</p> 	<p>Part 32 1pc</p> 	<p>Part 33 1pc</p> 
<p>Part 34 1pc</p> 			

# STEP 1

Part L  
8pcs

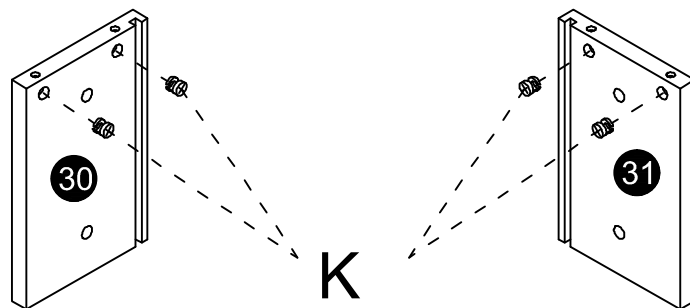
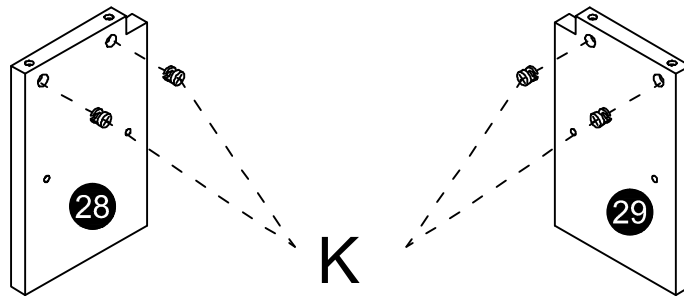
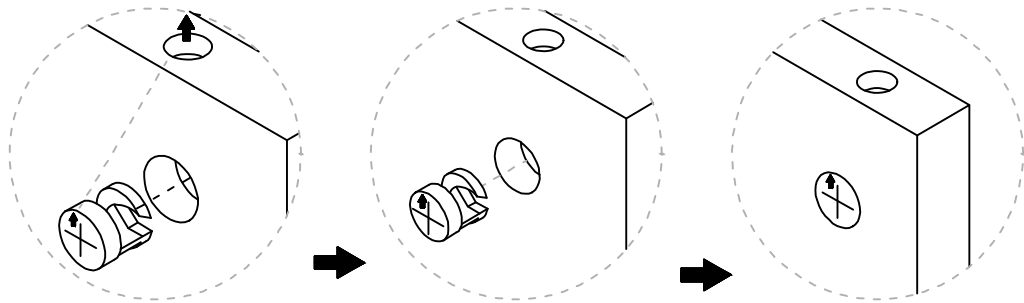


Part J  
1pc



# STEP 2

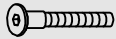
Part K  
8pcs



# STEP 3

Part P

4pcs  
M5\*35mm

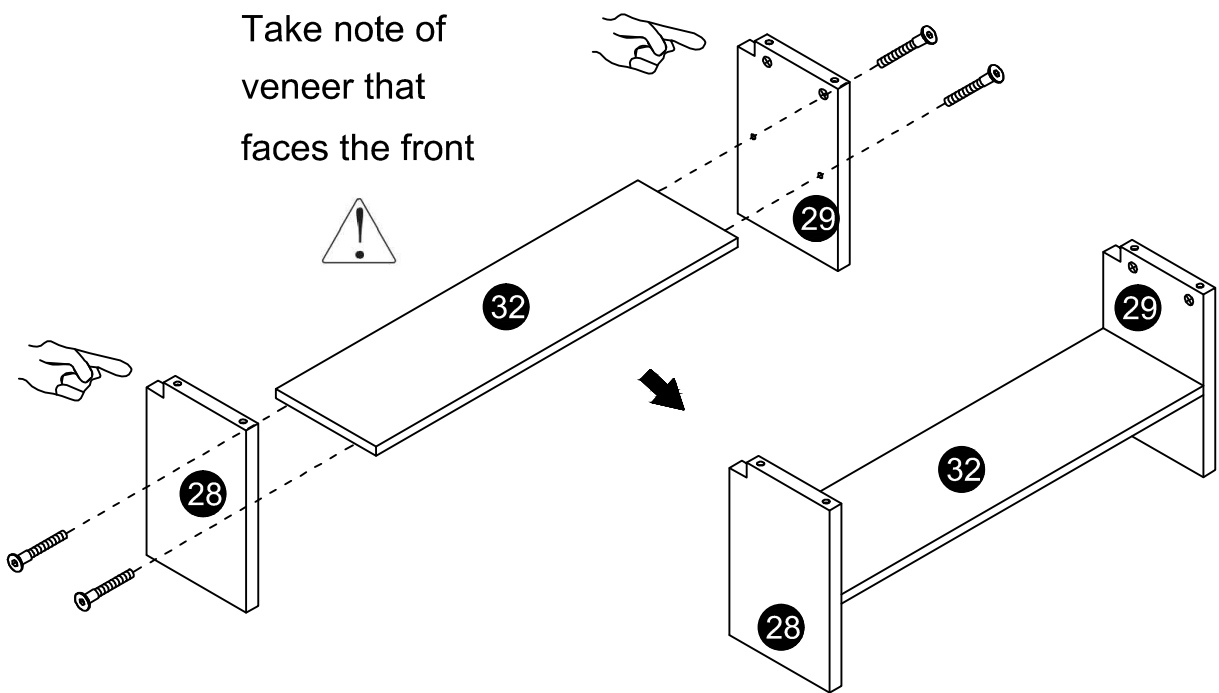


Part J

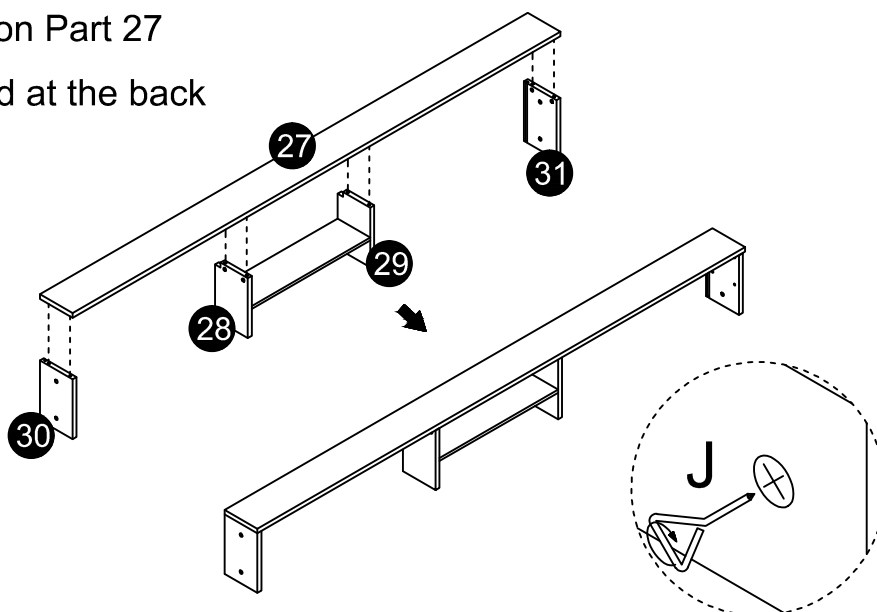
1pc



Take note of  
veneer that  
faces the front



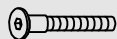
The slots on Part 27  
are located at the back



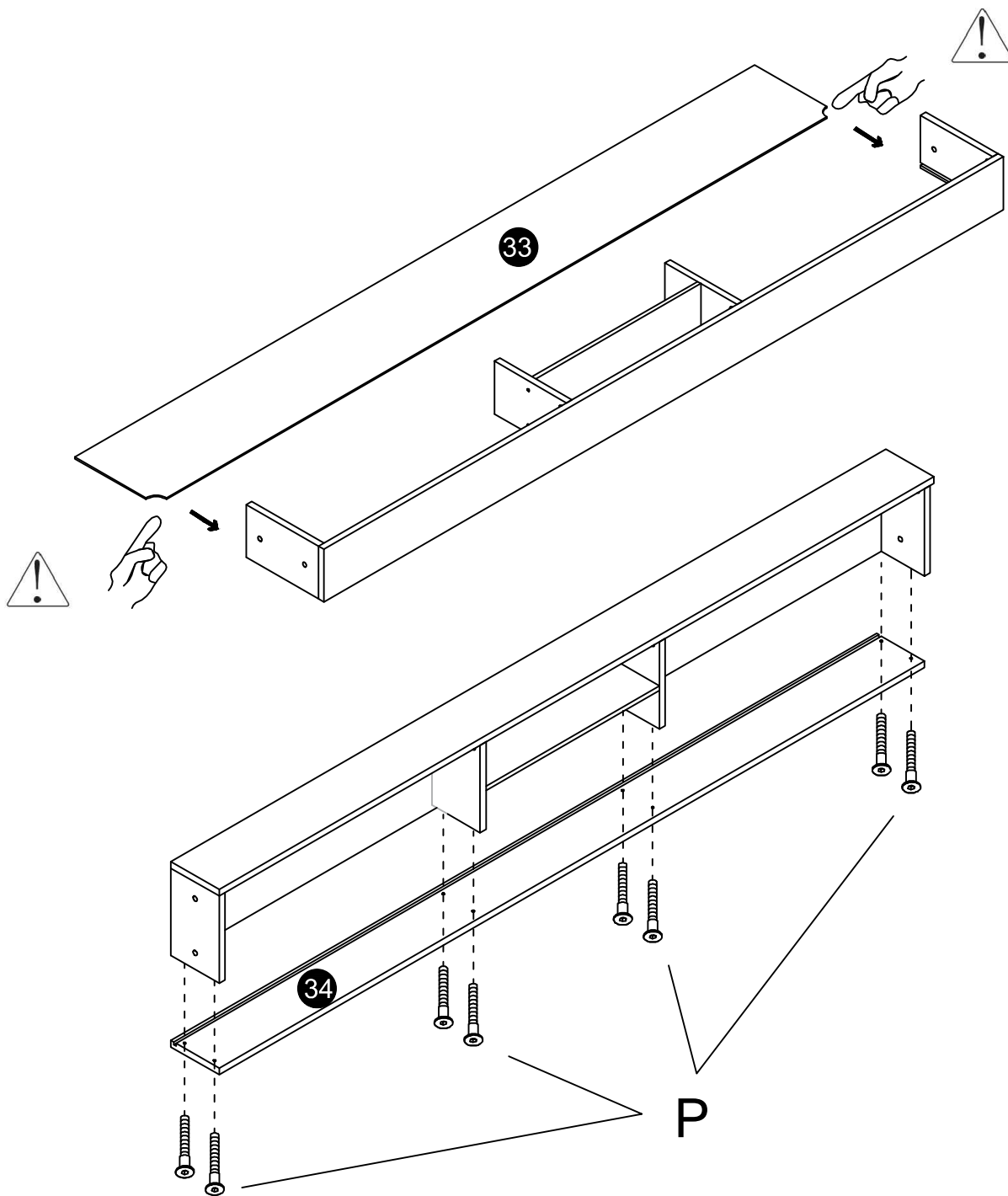
# STEP 4

Part P

8pcs



M5\*35mm

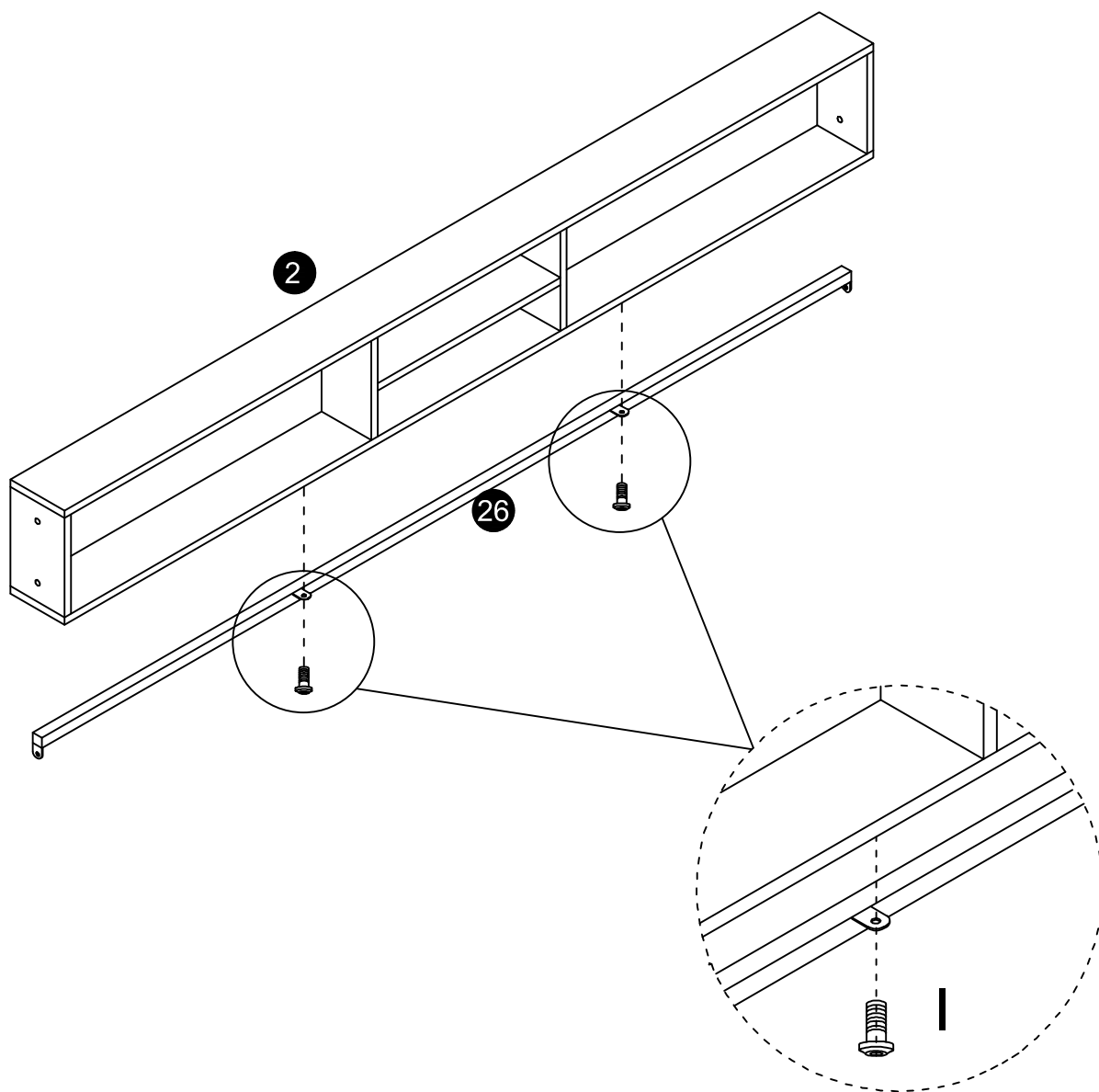


# STEP 5

Part I

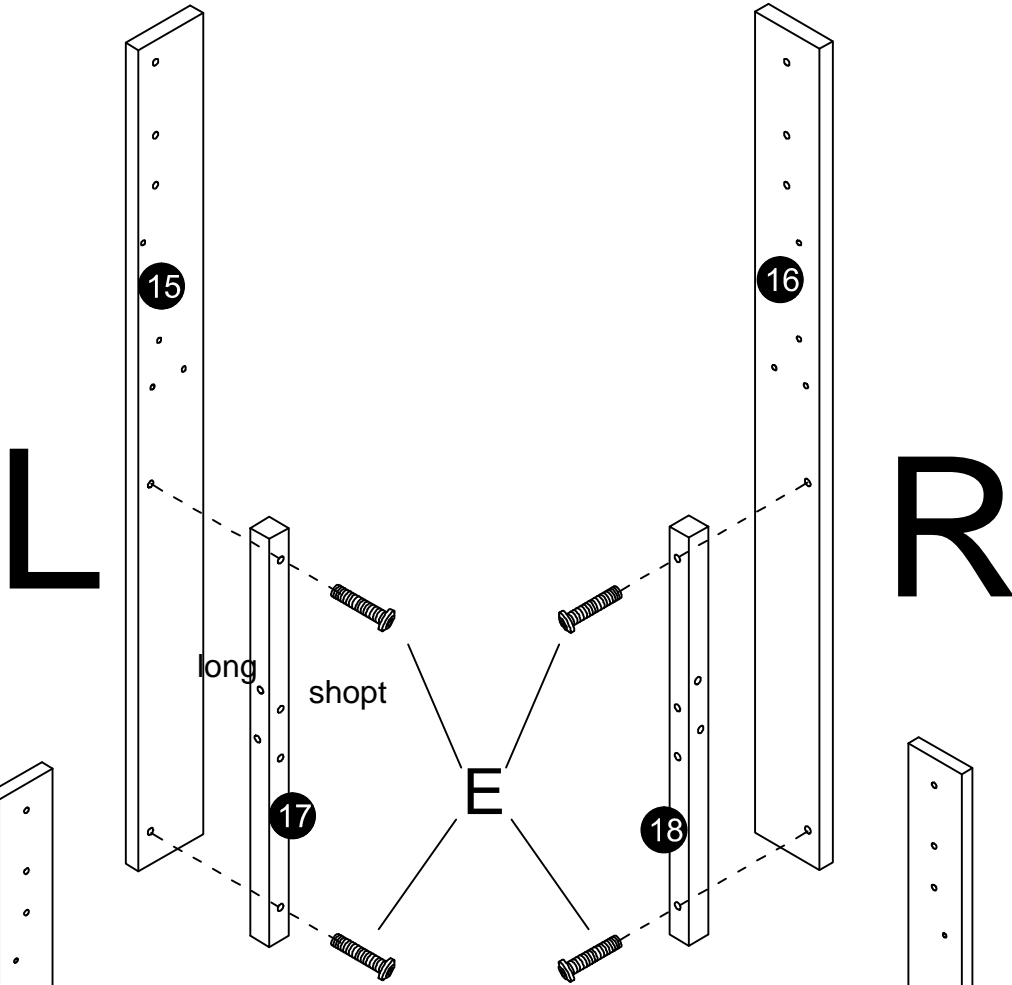
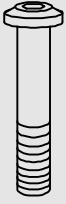
2pcs

M6\*10mm

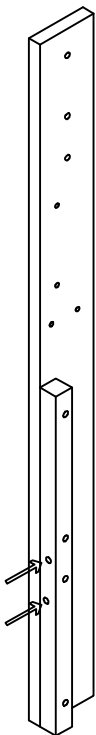


# STEP 6

Part E  
4pcs  
M8\*48mm

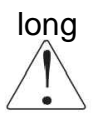


Holes

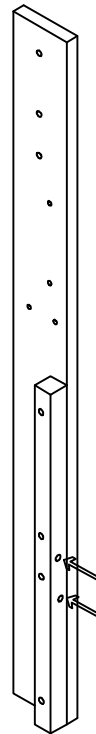


When assembling,  
these holes face  
outwards

shopt

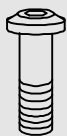


Holes

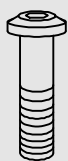


# STEP 7

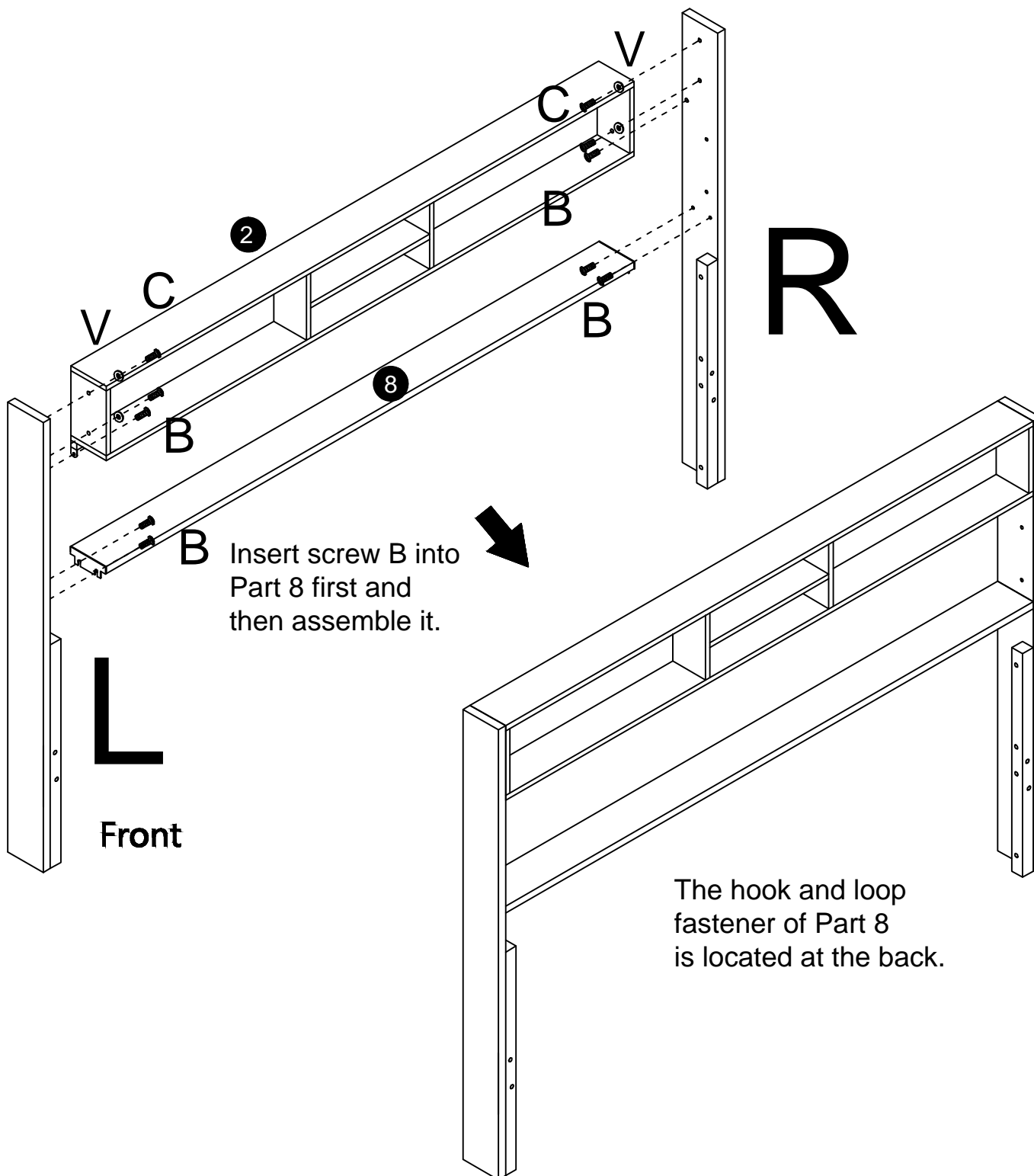
Part B  
6pcs  
M8\*20mm



Part C  
4pcs  
M8\*30mm



Part F/V  
4pcs  
M8\*Φ22mm

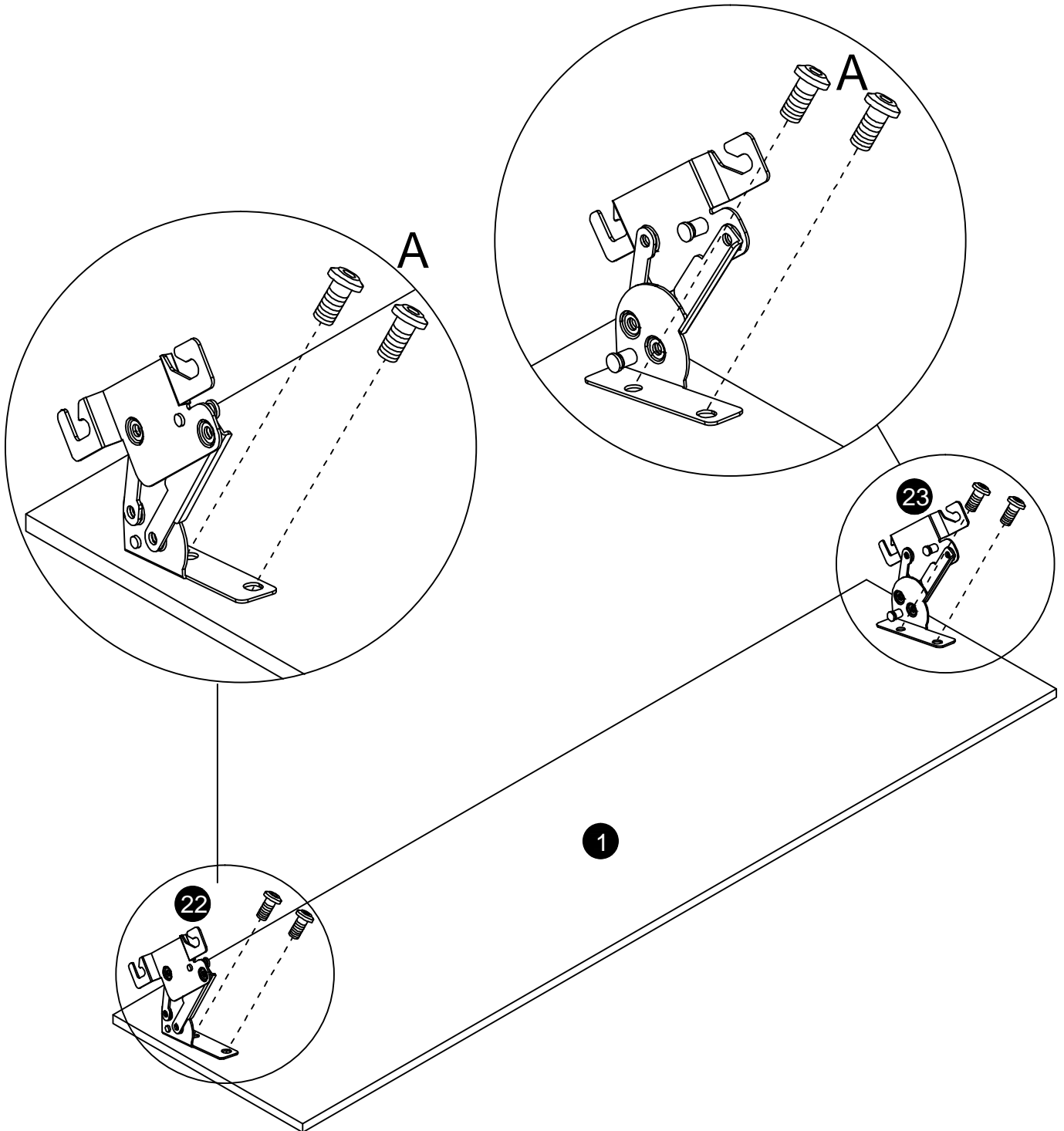
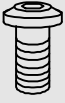


# STEP 8

Part A

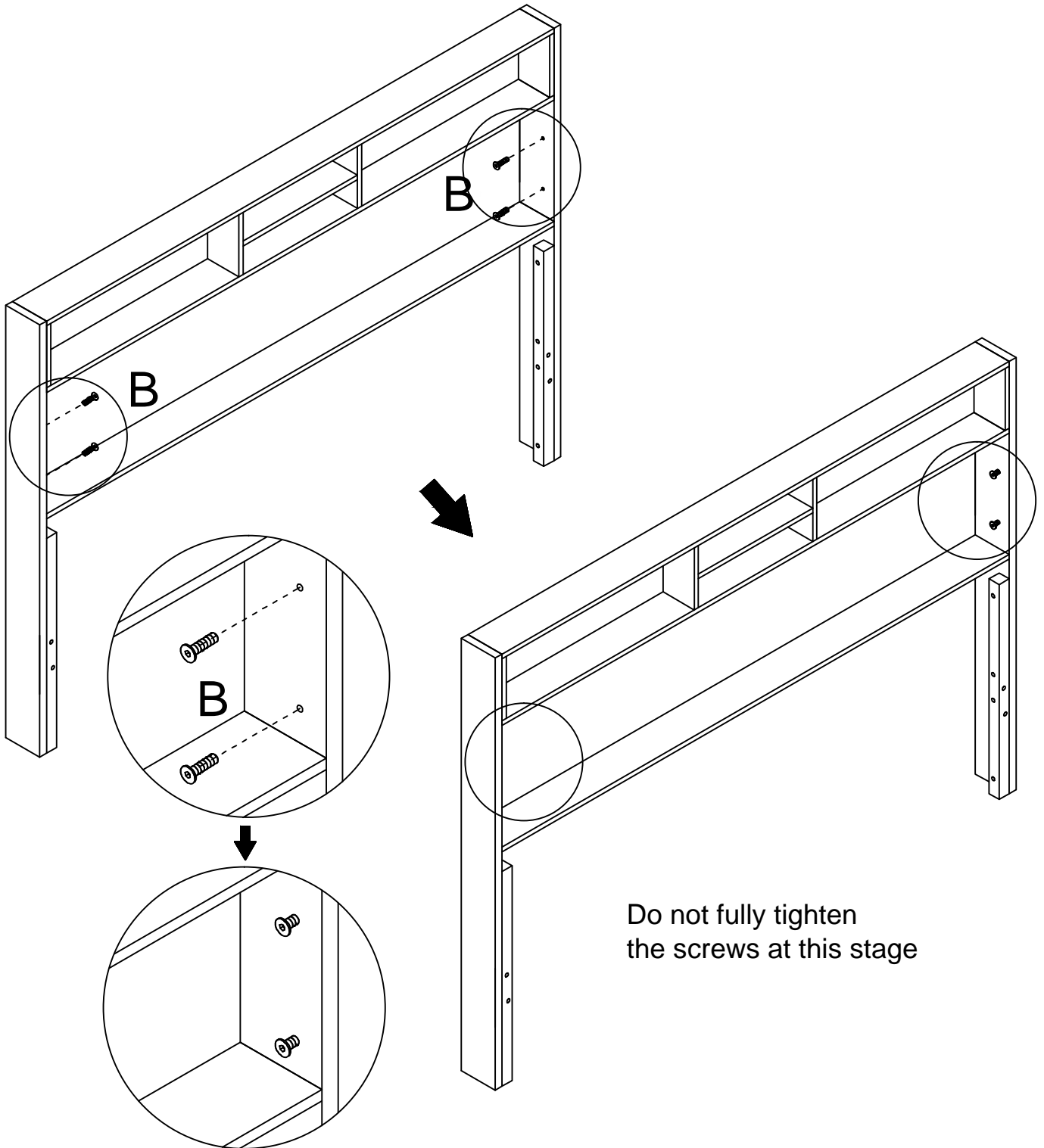
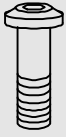
4pcs

M8\*15mm



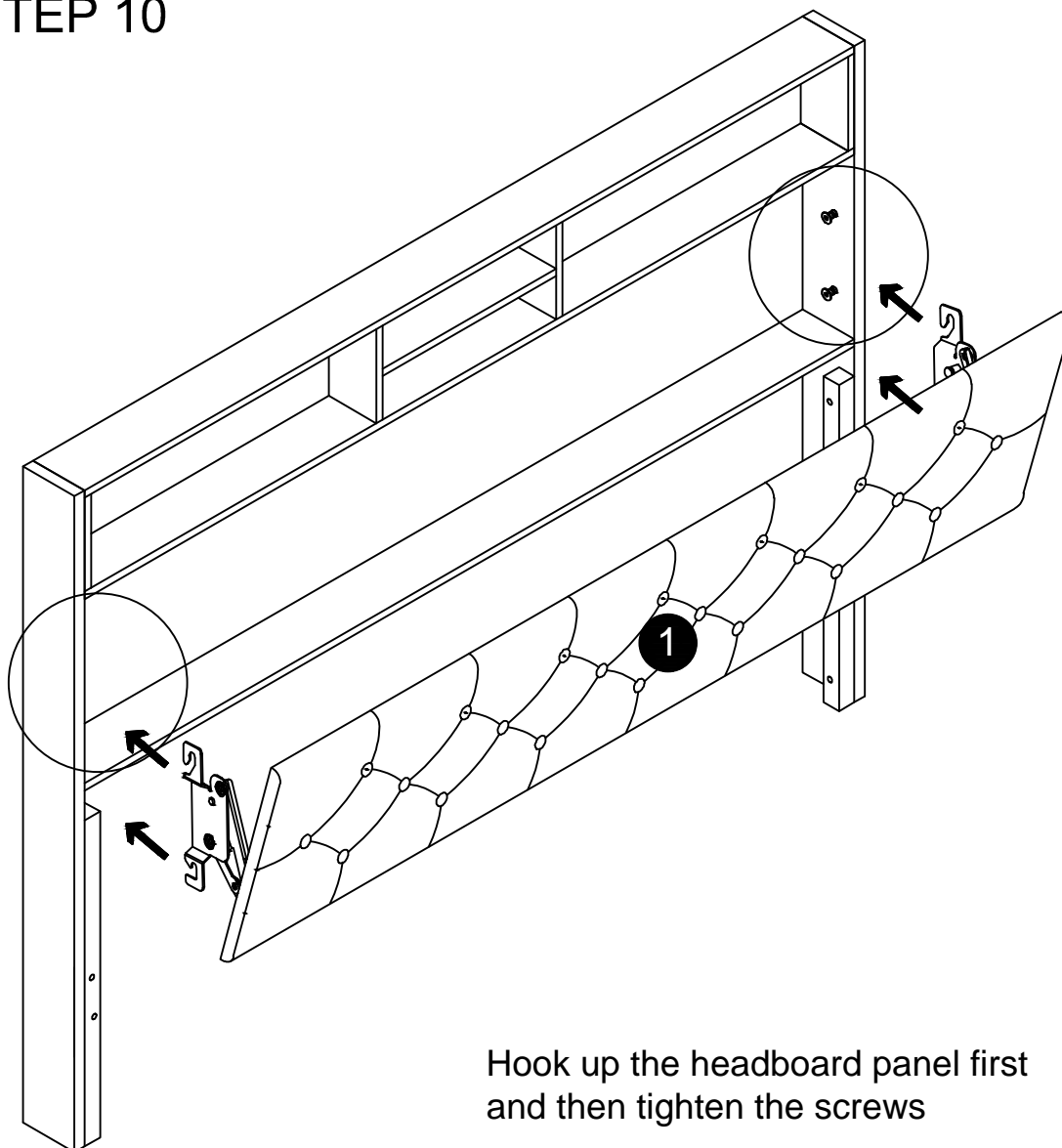
# STEP 9

Part B  
6pcs  
M8\*20mm

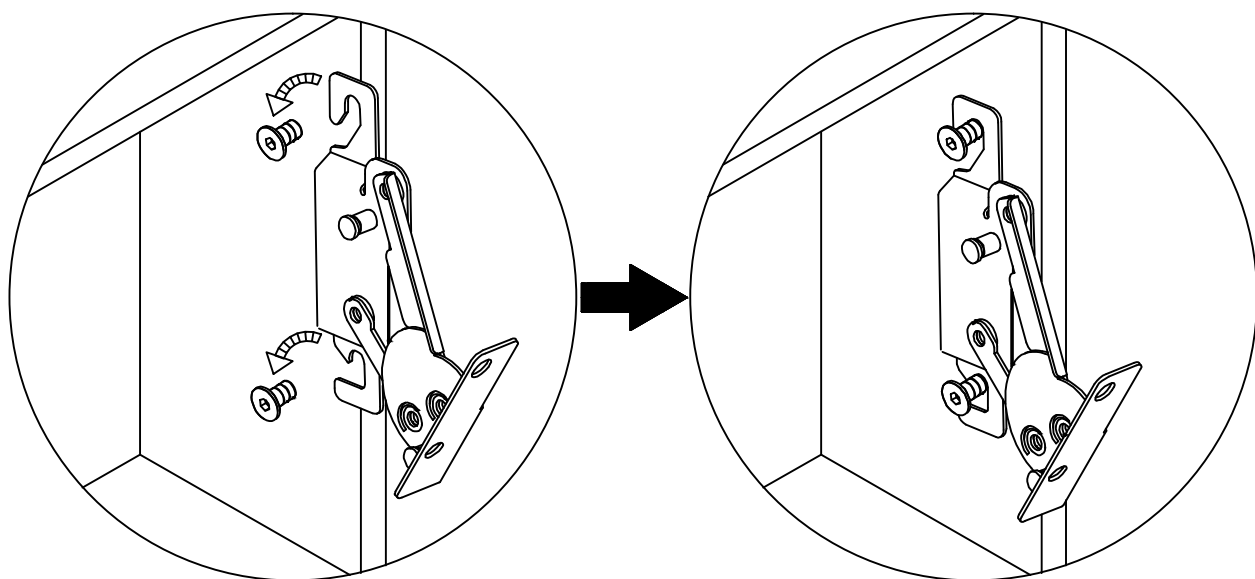


Do not fully tighten  
the screws at this stage

# STEP 10



Hook up the headboard panel first  
and then tighten the screws



# STEP 11

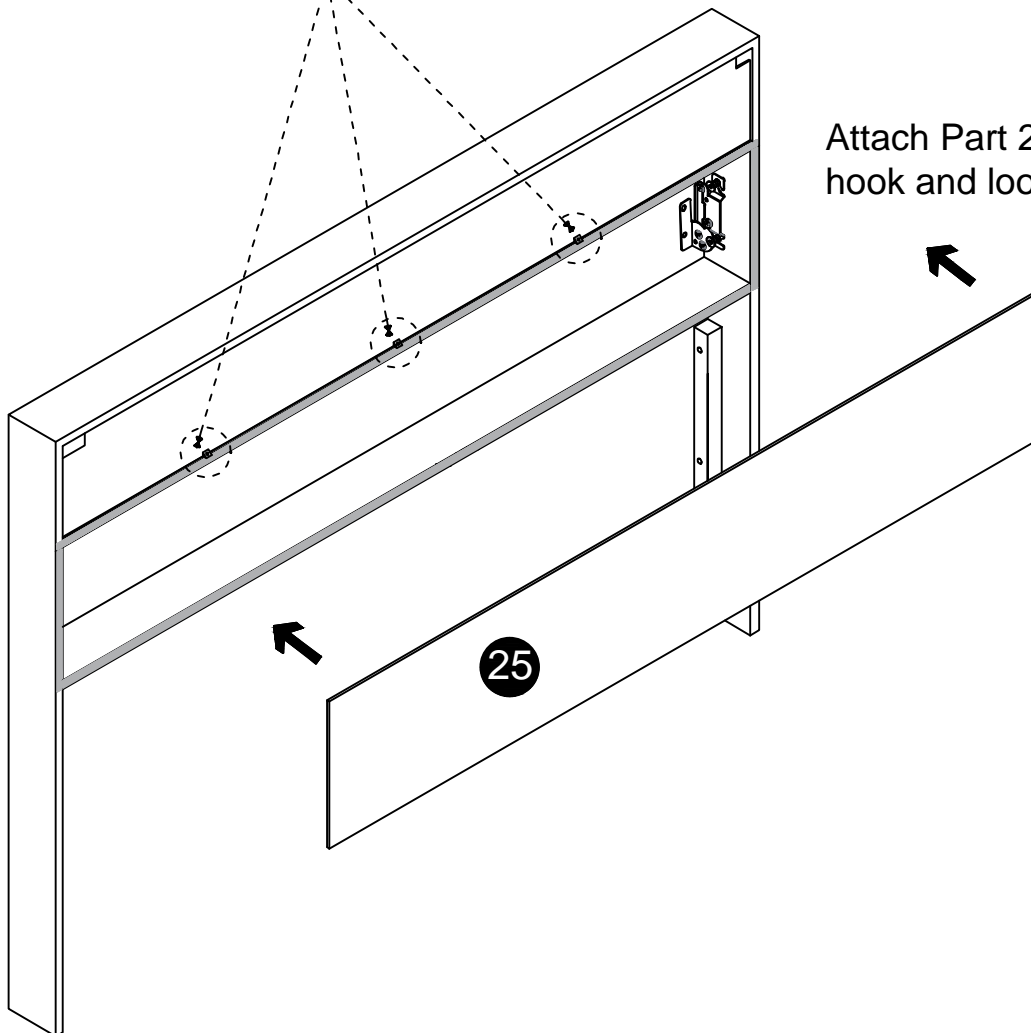
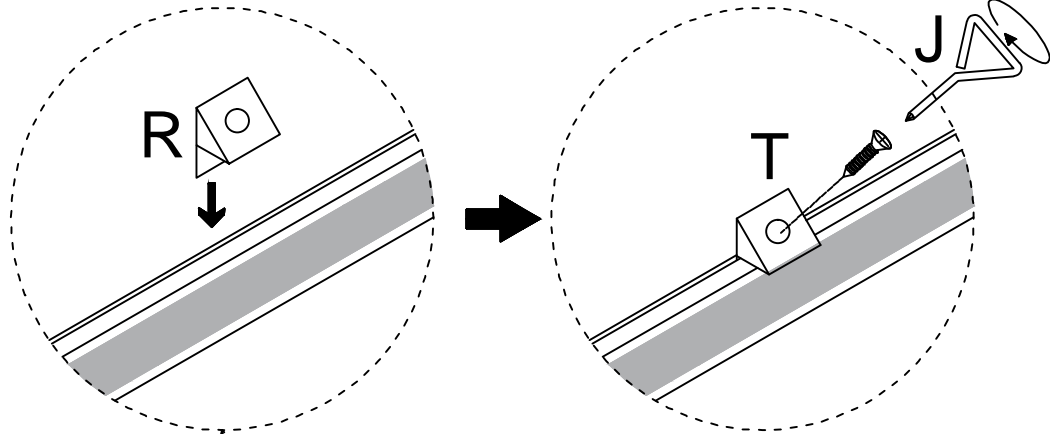
Part T  
3pcs  
M3\*16mm



Part J  
1pc



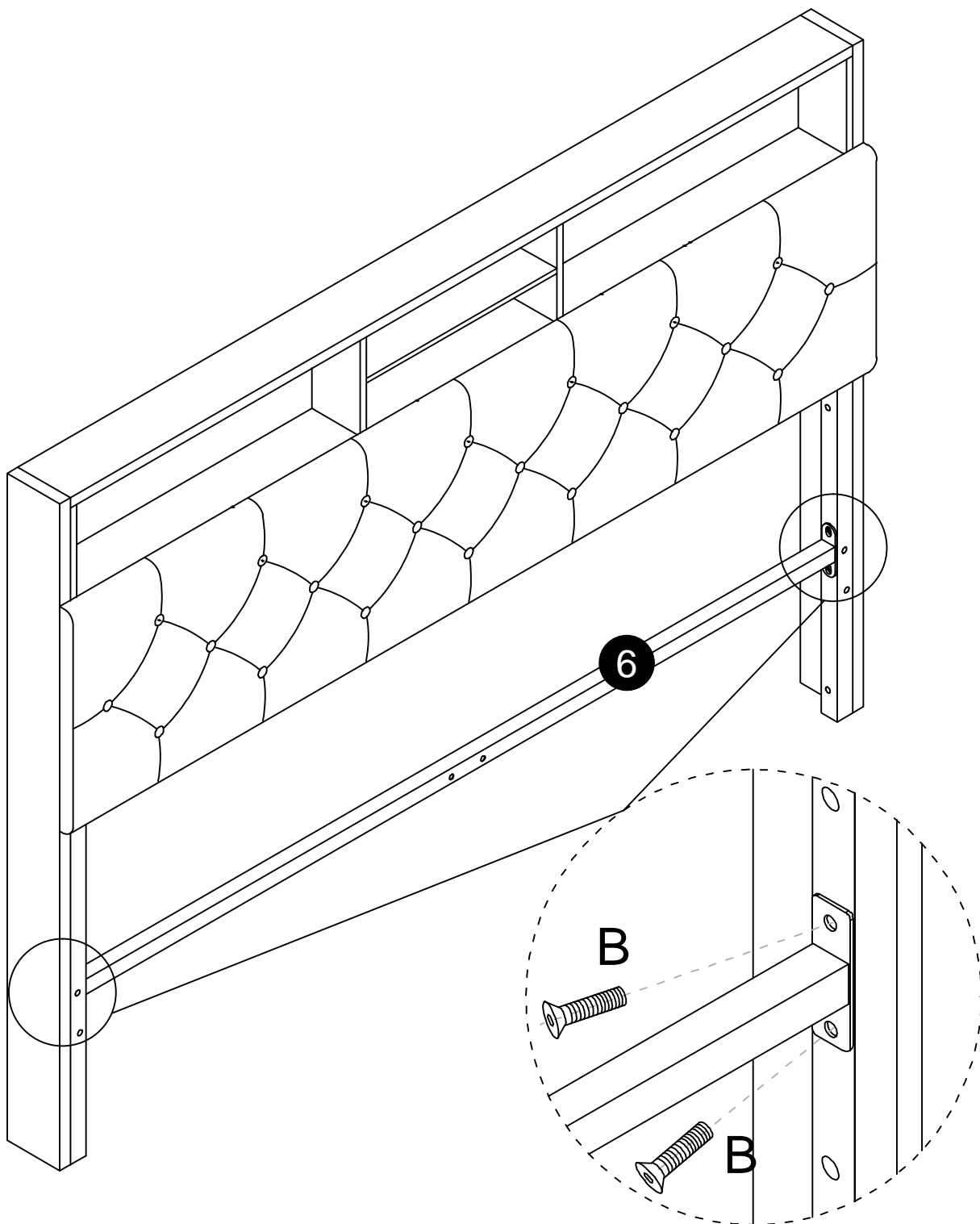
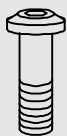
Part R  
3pcs



Attach Part 25 using the hook and look fastener.

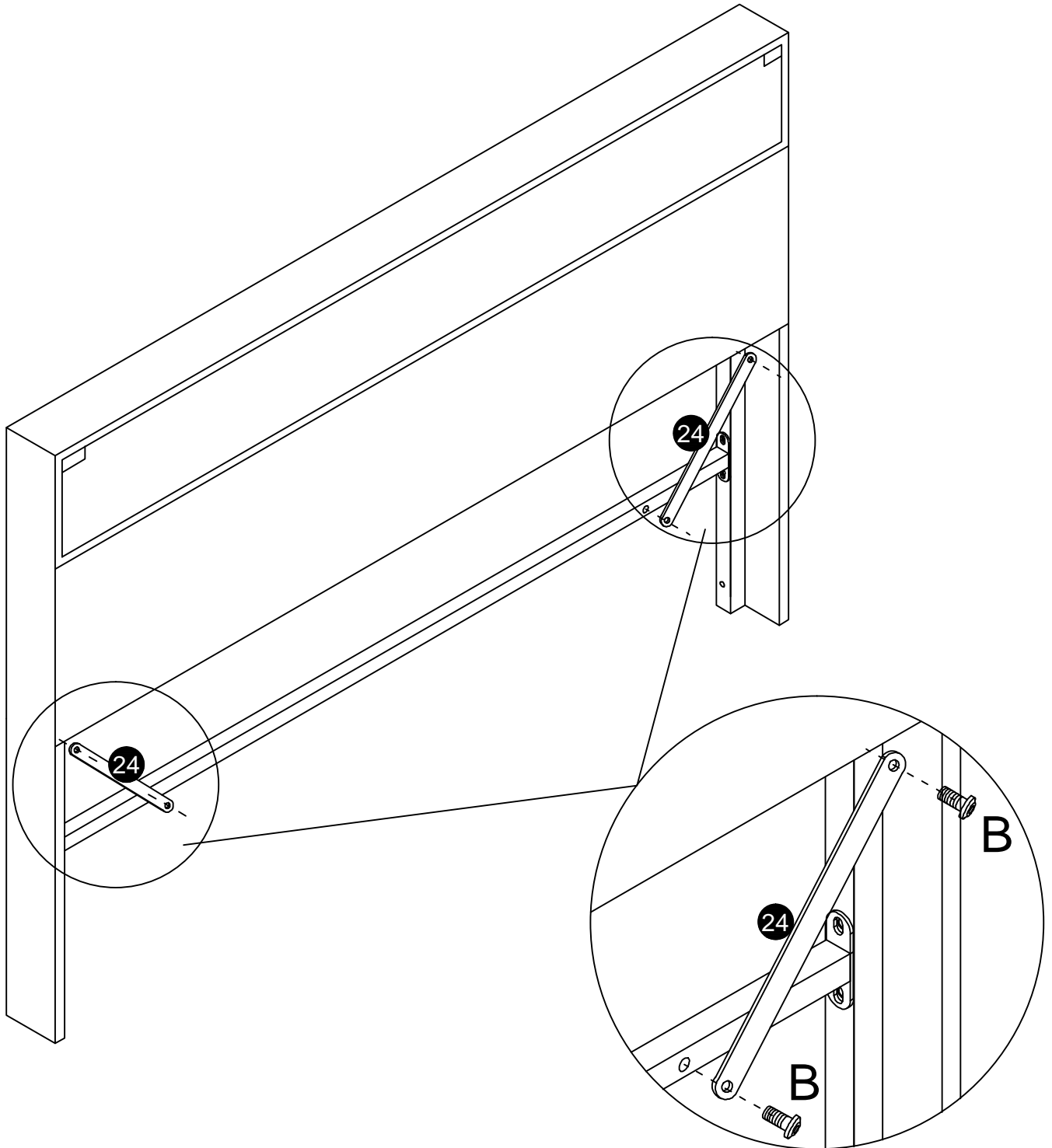
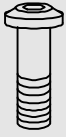
# STEP 12

Part B  
4pcs  
M8\*20mm

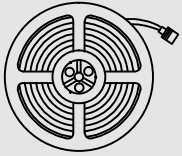


# STEP 13

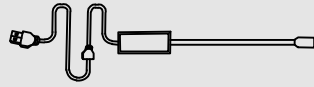
Part B  
4pcs  
M8\*20mm



# LED Light Bar Installation



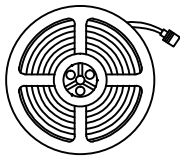
1pc  
Light bar



1pc  
Power cord



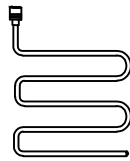
1pc  
Remote control



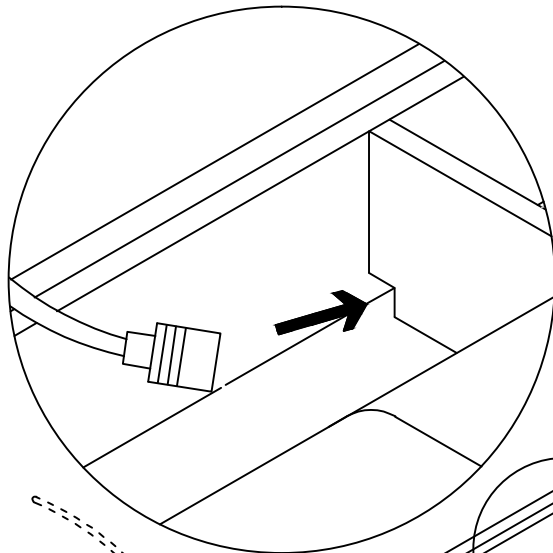
Light bar



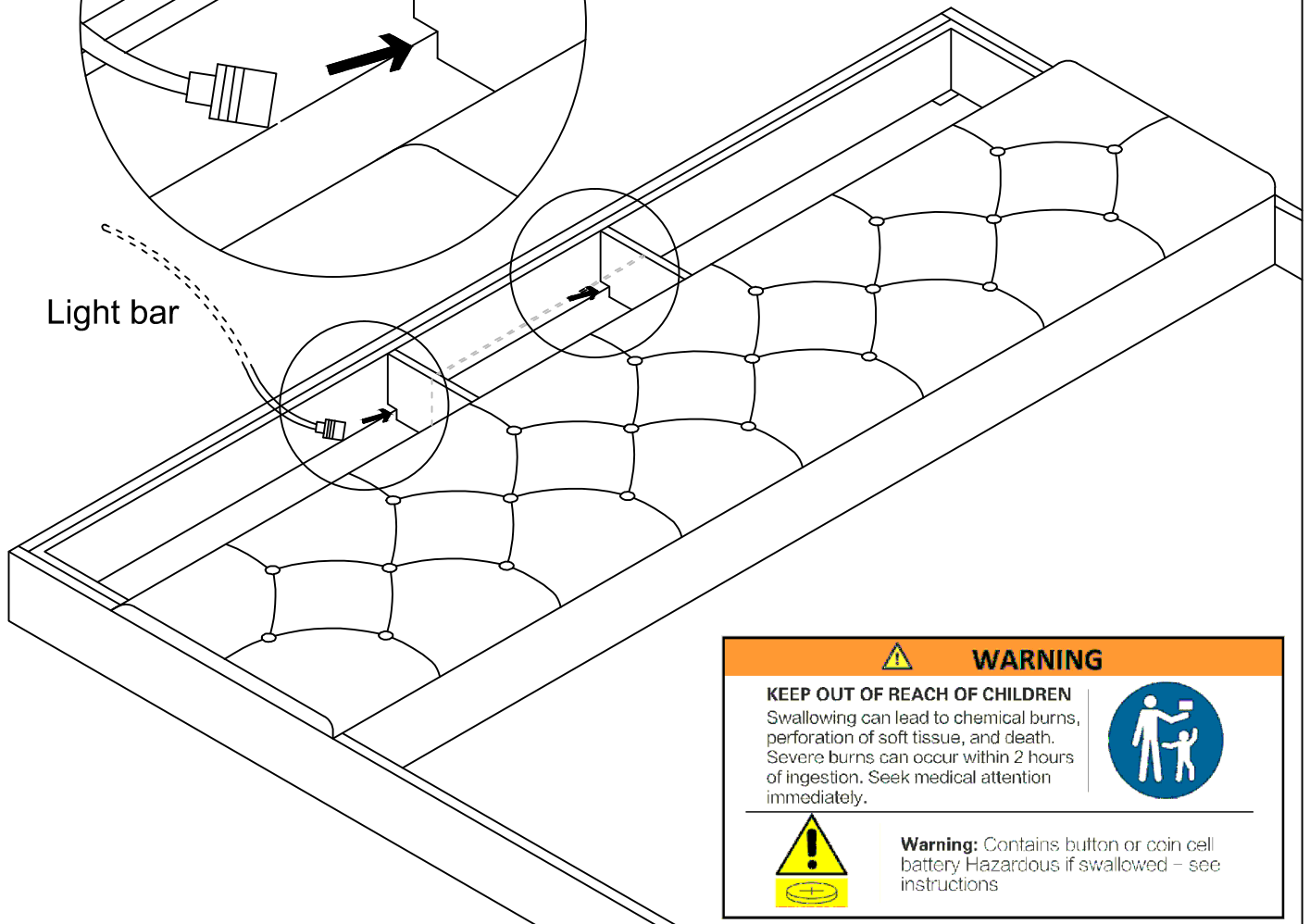
Pull out



light bar



Please insert the light bar through the openings.



## WARNING

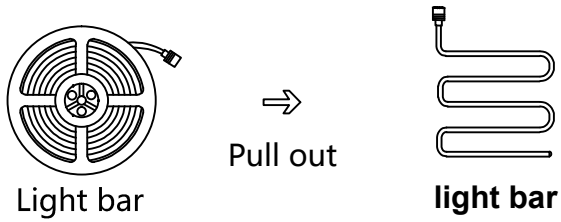
### KEEP OUT OF REACH OF CHILDREN

Swallowing can lead to chemical burns, perforation of soft tissue, and death. Severe burns can occur within 2 hours of ingestion. Seek medical attention immediately.



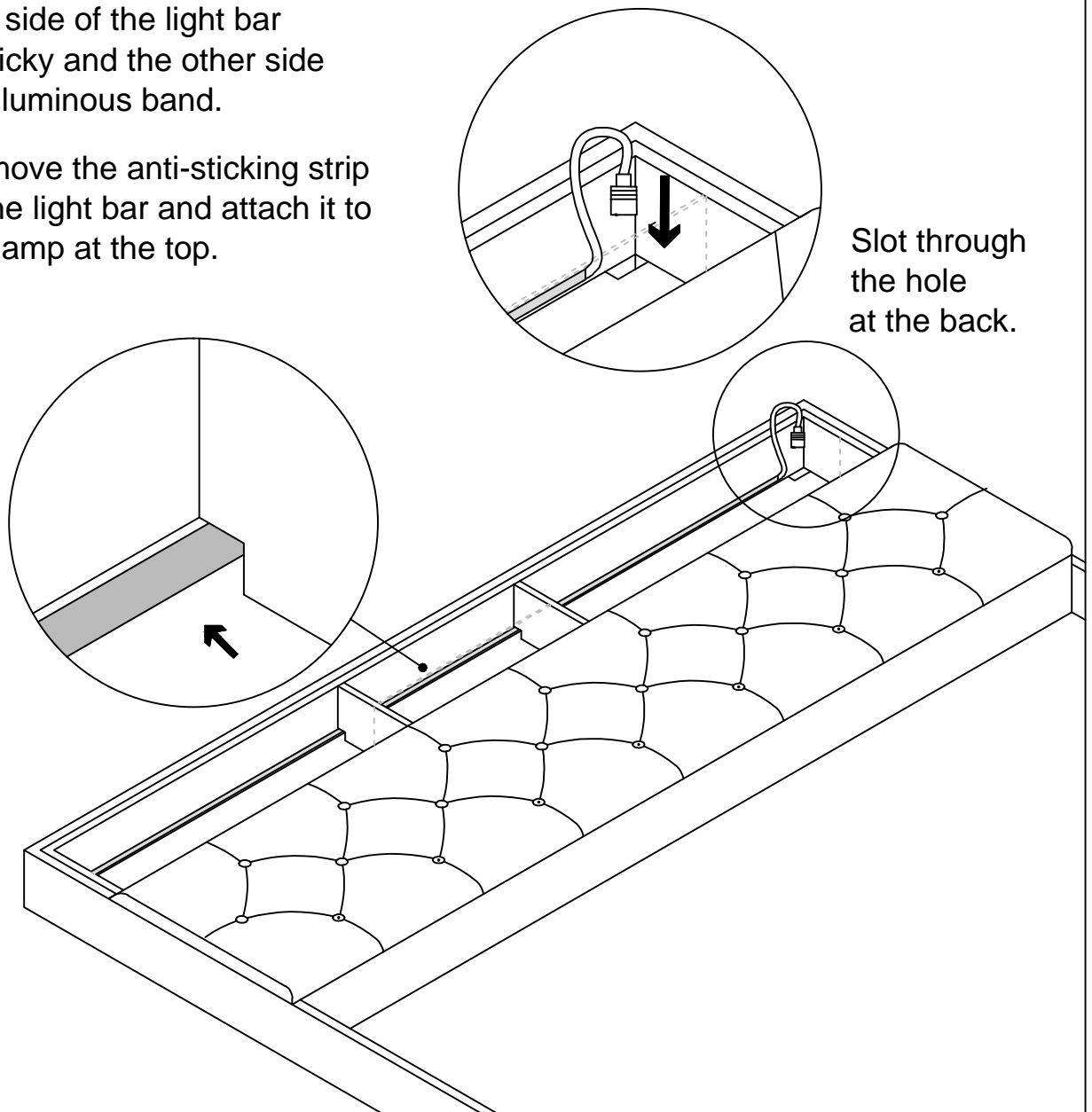
**Warning:** Contains button or coin cell battery Hazardous if swallowed – see instructions

# LED Light Bar Installation



Please take note that one side of the light bar is sticky and the other side is a luminous band.

Remove the anti-sticking strip of the light bar and attach it to the lamp at the top.



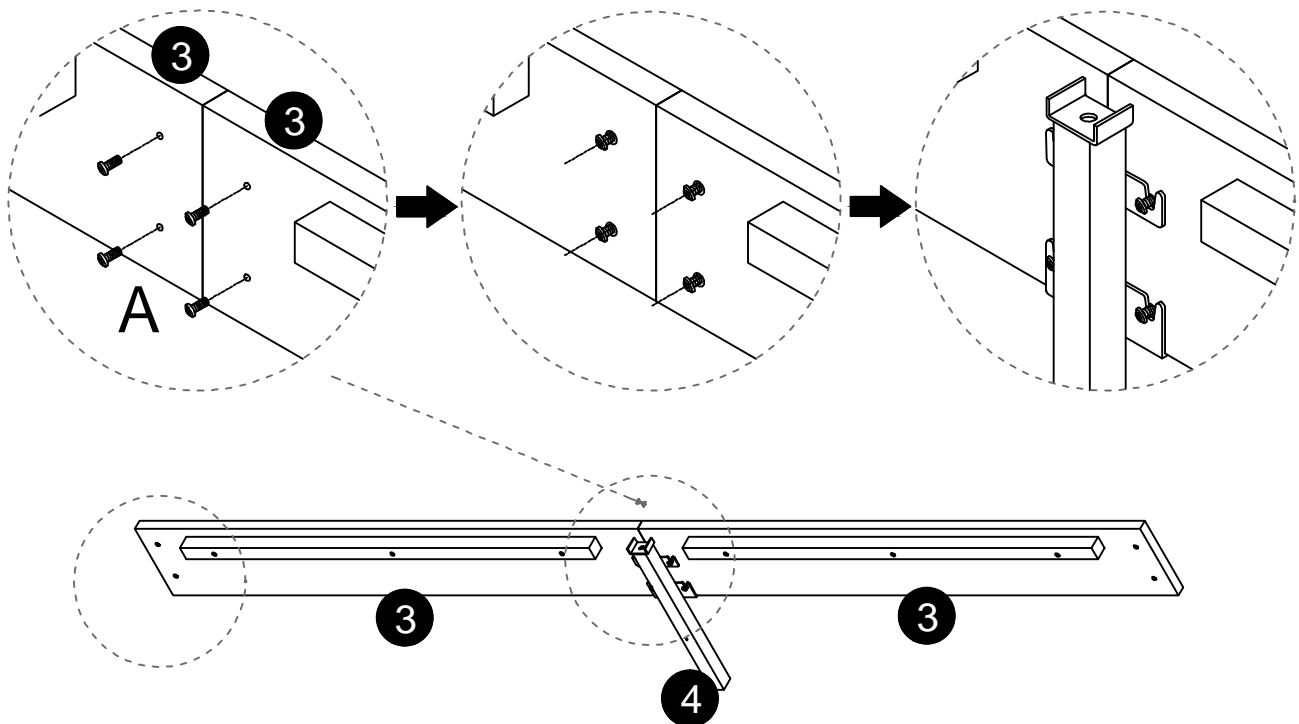
# STEP 14

Part A  
8pcs  
M8\*15mm



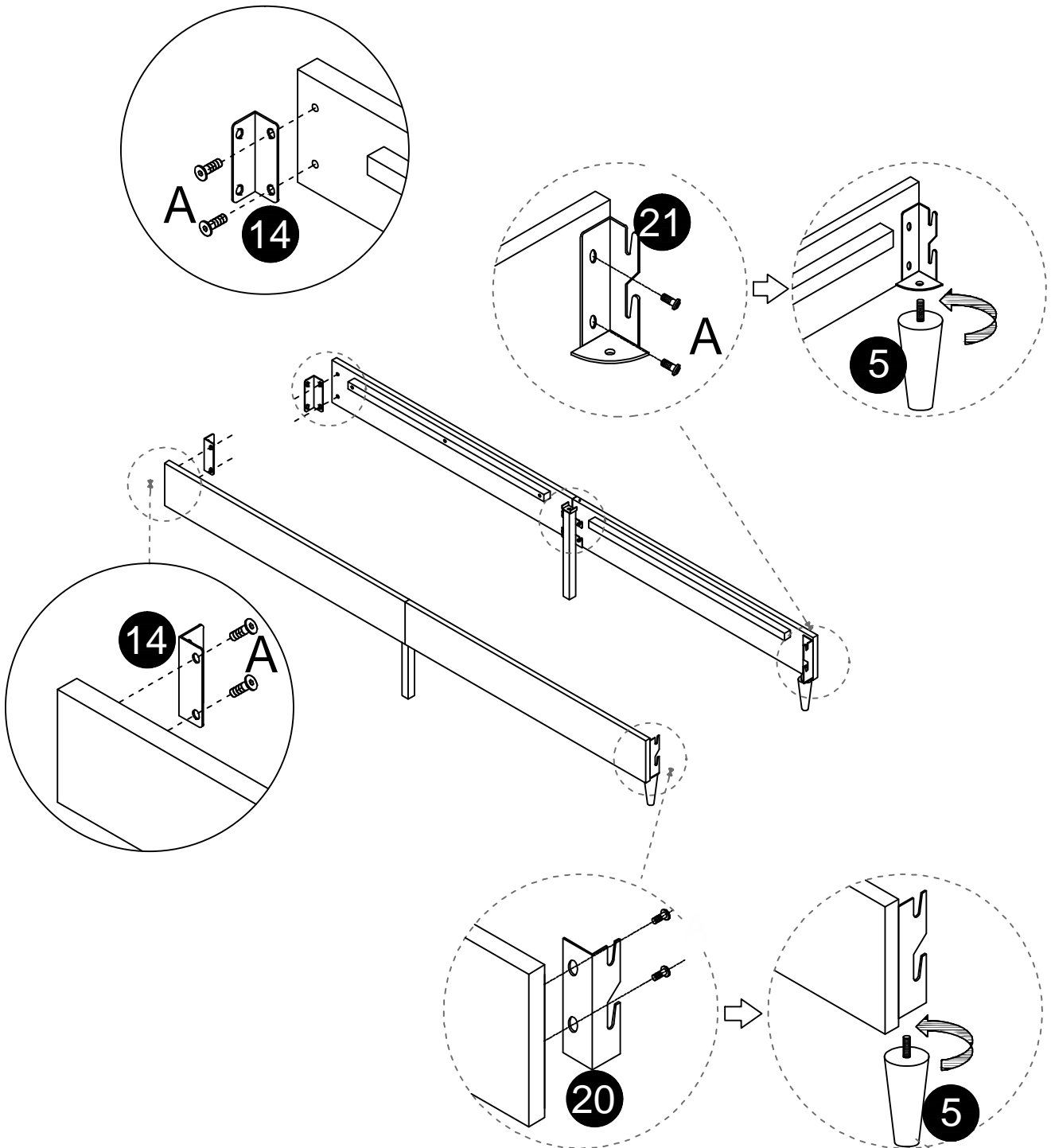
x2  
Assemble 2 Sets

Do not fully tighten the screws at this stage.



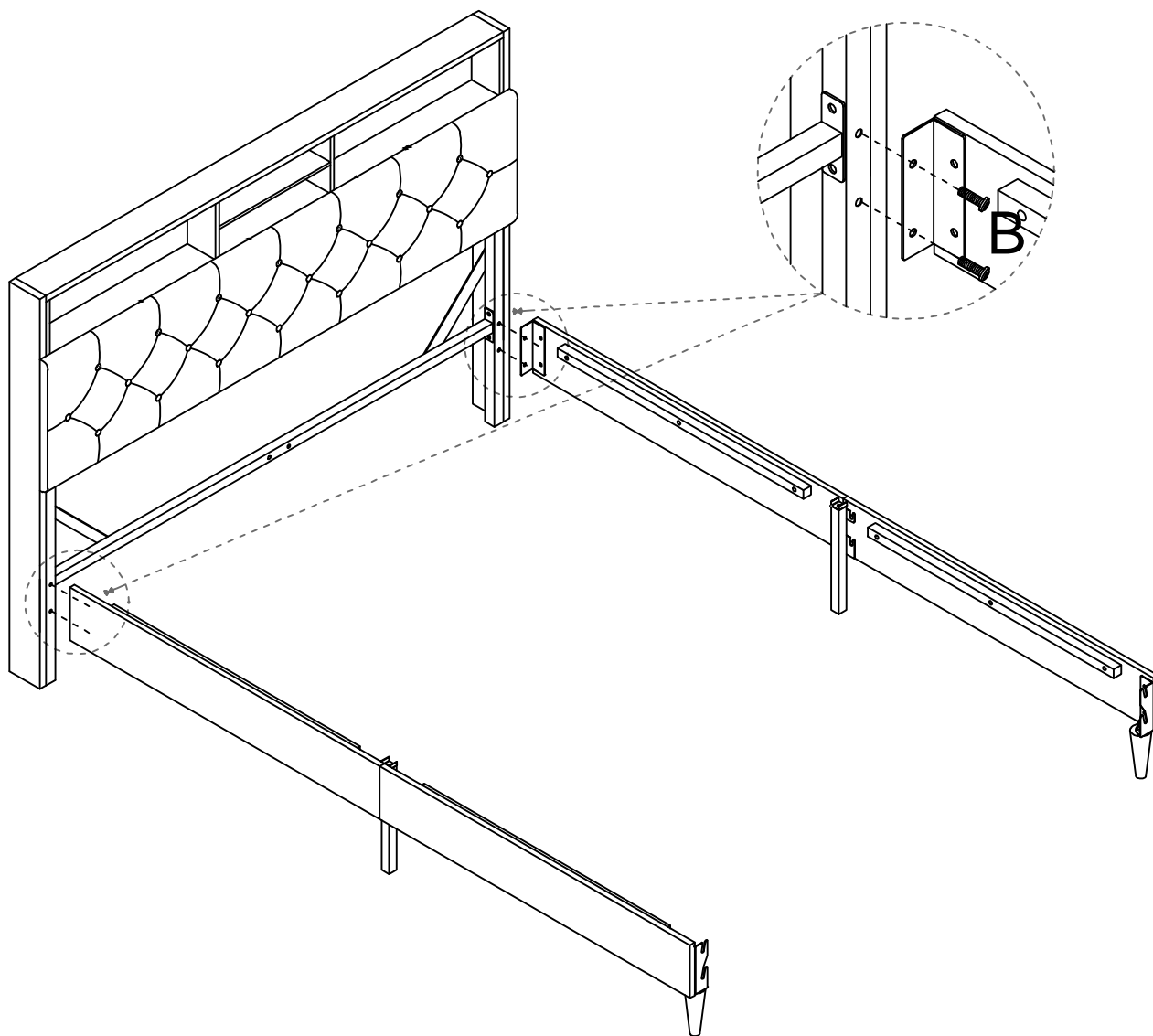
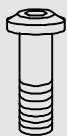
# STEP 15

Part A  
8pcs  
M8\*15mm



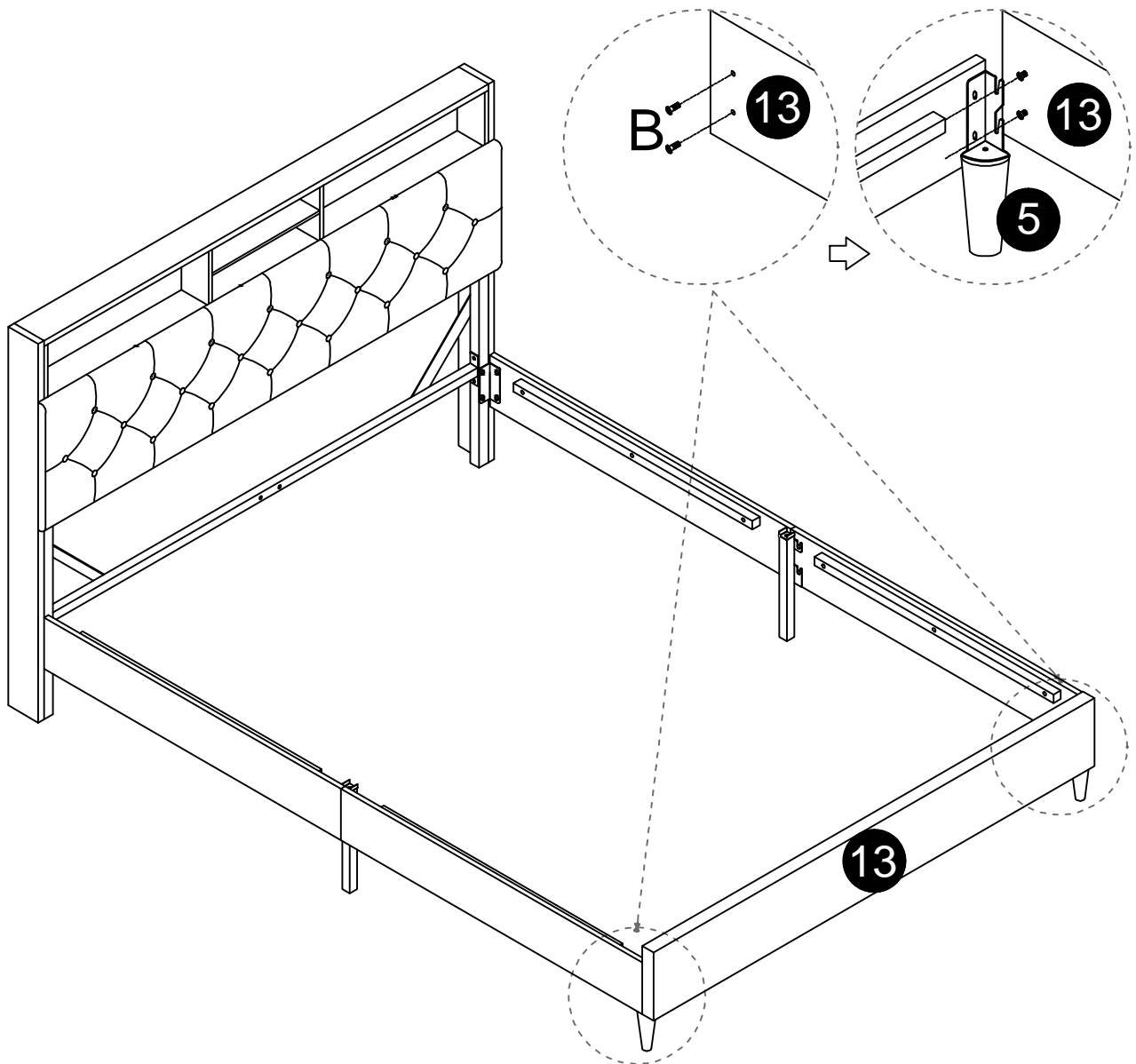
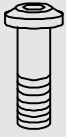
# STEP 16

Part B  
4pcs  
M8\*20mm



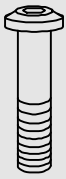
# STEP 17

Part B  
4pcs  
M8\*20mm

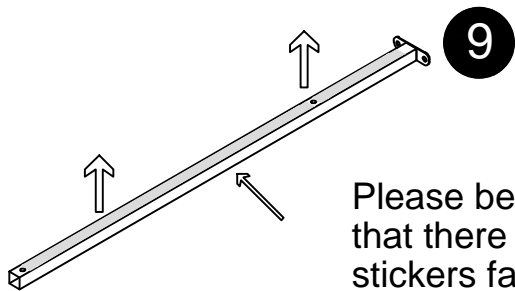


# STEP 18

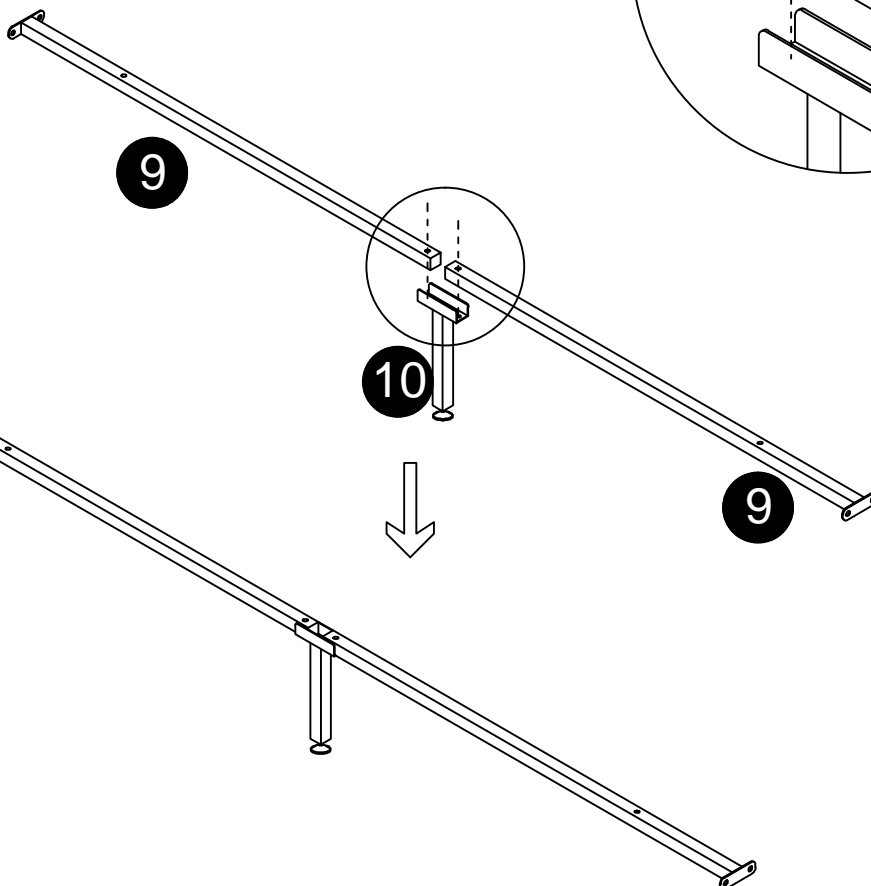
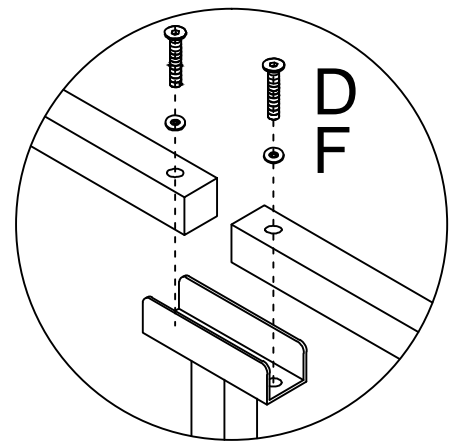
Part D  
2pcs  
M8\*35mm



Part F  
2pcs  
M8\*Φ22mm

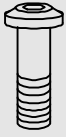


Please be aware that there are mute stickers facing upwards and the material feels soft to the touch.

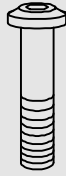


# STEP 19

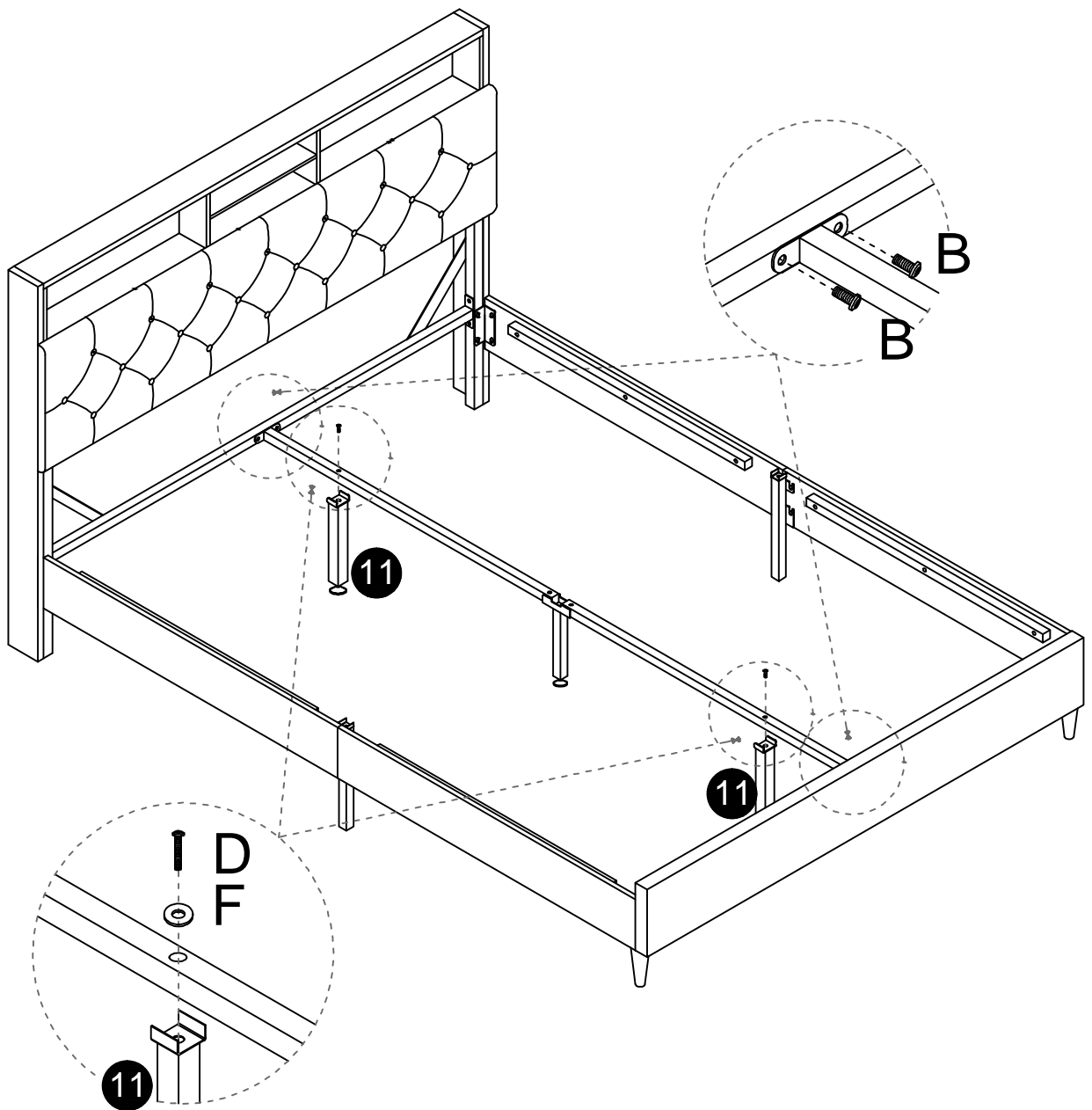
Part B  
4pcs  
M8\*20mm



Part D  
2pcs  
M8\*35mm

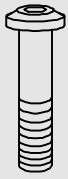


Part F  
2pcs  
M8\*Φ22mm

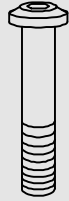


# STEP 20

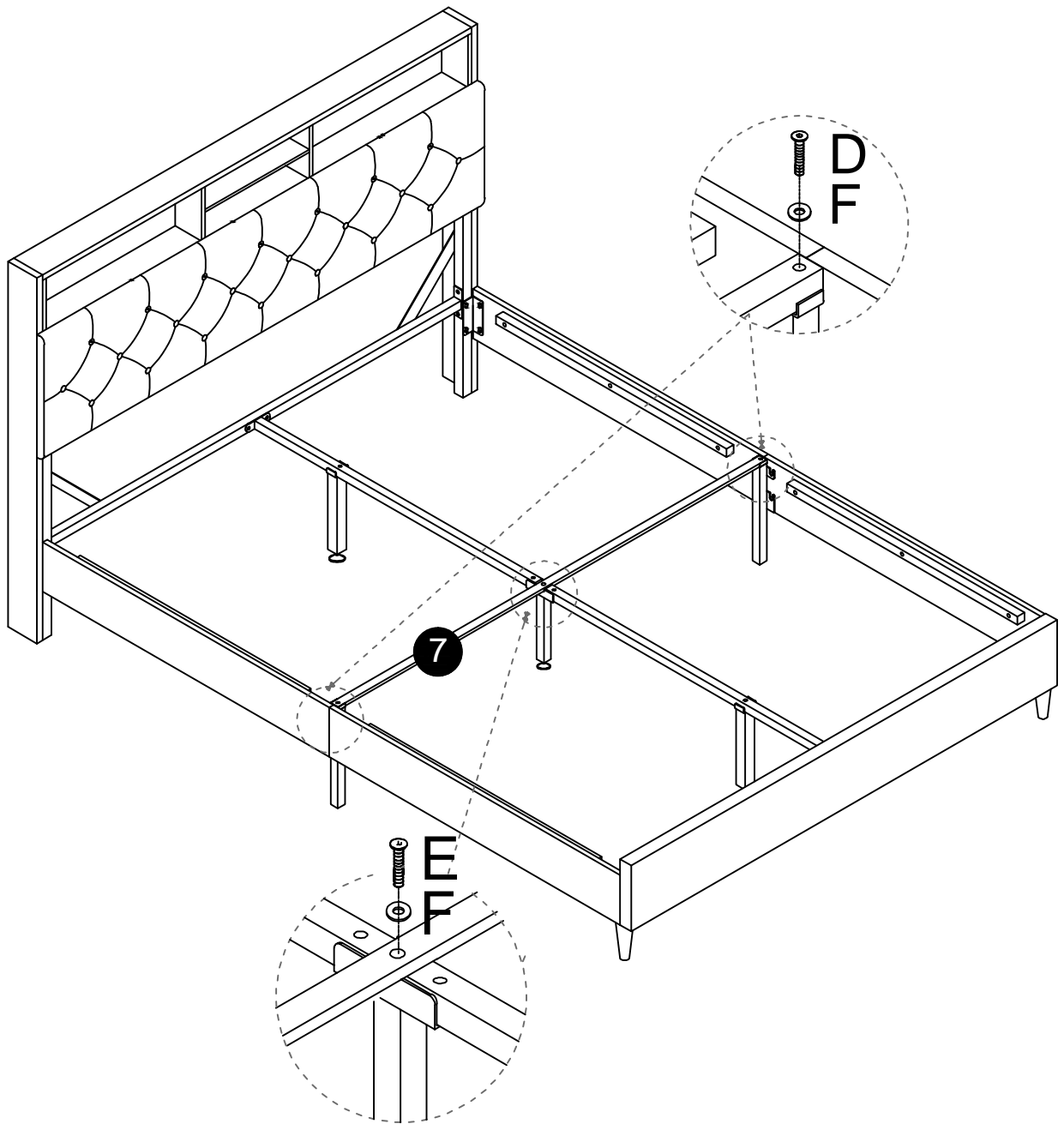
Part D  
2pcs  
M8\*35mm



Part E  
1pc  
M8\*48mm



Part F  
3pcs  
M8\*Φ22mm

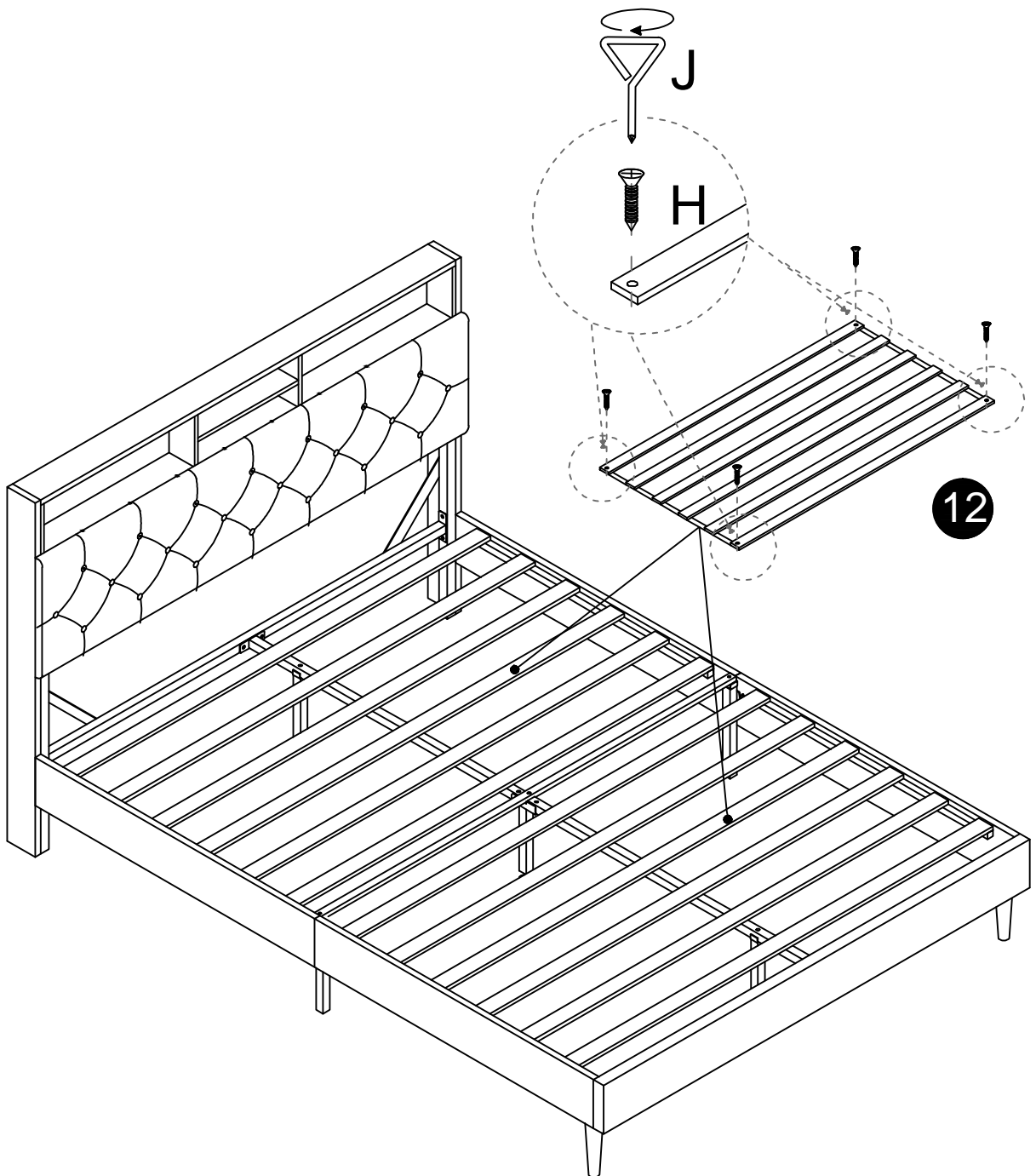


# STEP 21

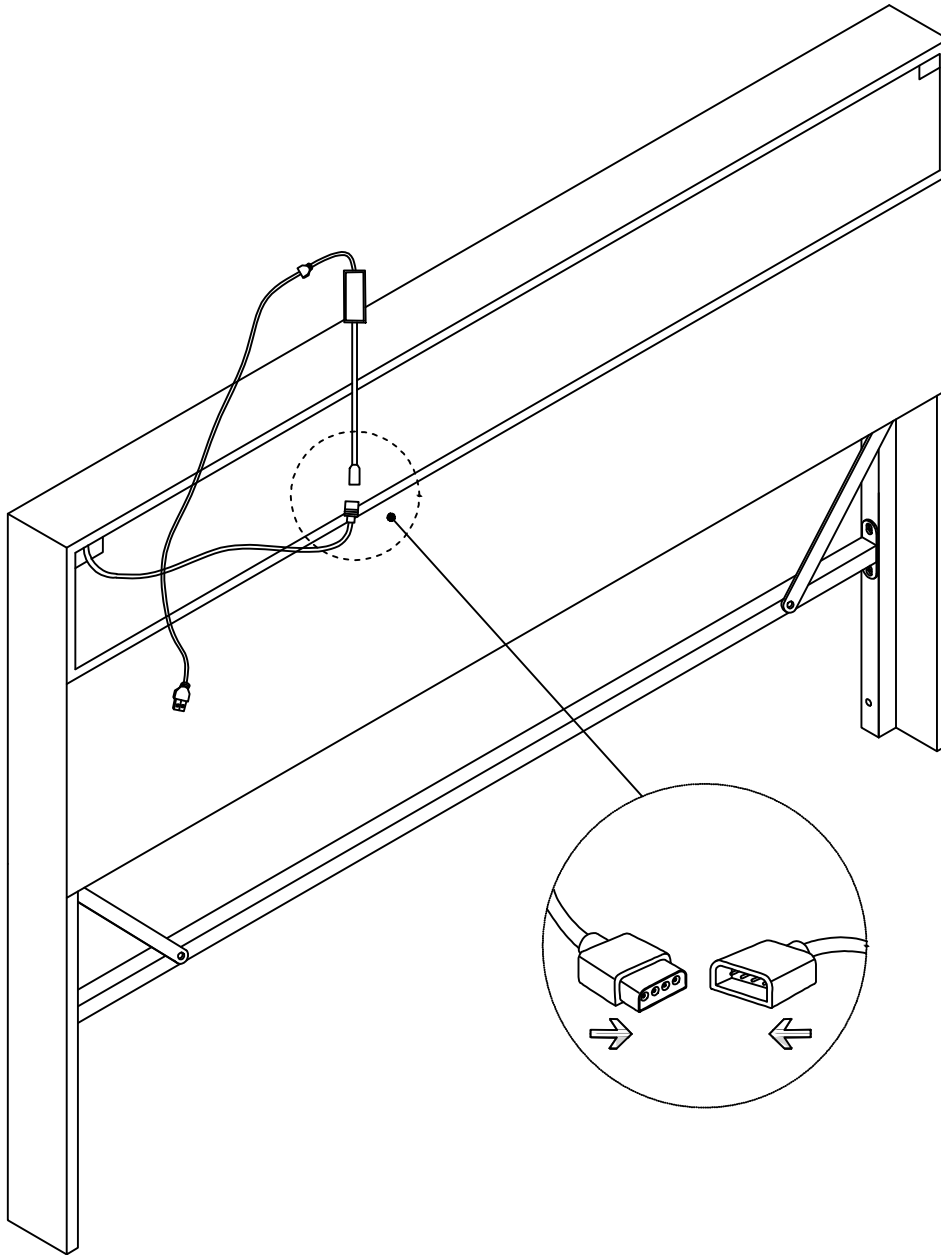
Part H  
8pcs  
M4\*30mm



Part J  
1pc



# LED Light Bar Connection



## ATTENTION

- Plug in the connectors as shown.
- Tuck away all other wires except for the power cable and bind them with the large magic tape.
- Three additional hook and loop fasteners are provided to help bind the wires if the magic tape is insufficient.

**Well done!**

**Love our furniture?  
Share it!**

Tag us on instagram or facebook

@KampradsOikos1943

**ikiture**