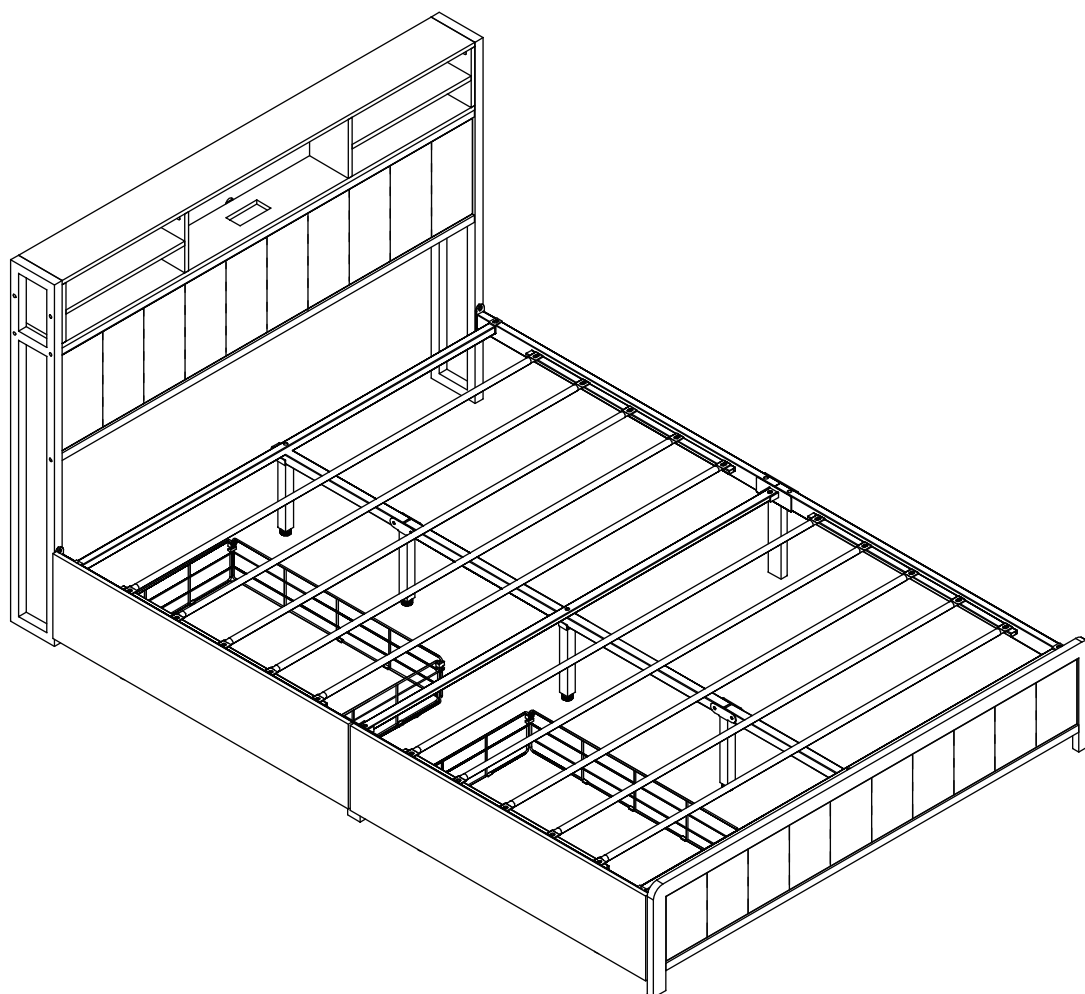
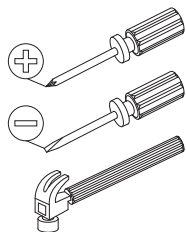


# ASSEMBLY INSTRUCTIONS

Please read the instructions carefully before assembly and keep it for future reference.

**TWO PERSONS AND TOOLS REQUIRED**



## LED BED FRAME

**Model :** BF-C-WIKI-2D-D

**Version 1.0**

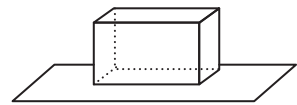
## Assembly and Maintenance Tips



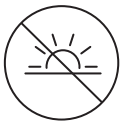
1. Keep children and pets away from the working area as small parts may cause choking if swallowed.



2. Some furniture may require two persons to assemble for safety reasons.



3. To protect the surfaces of the furniture, lay the parts and perform the assembly on top of a soft mat (such as a carpet or cardboard).



4. Keep the furniture away from direct sunlight to avoid fading.



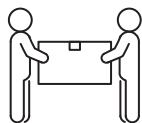
5. Use a soft, damp cloth to clean or wipe surfaces.



6. Never use ammonia-based or abrasive cleaning products to clean as they may damage the finish.

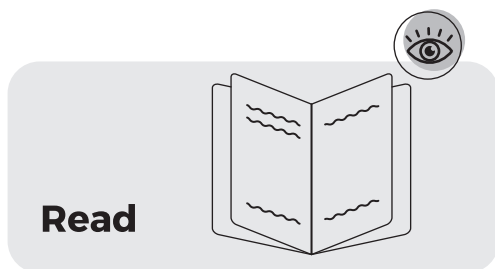


7. Do not place liquids or wet items on furniture as they may leave water marks/stains. Always use a coaster or runner to protect the furniture surface.



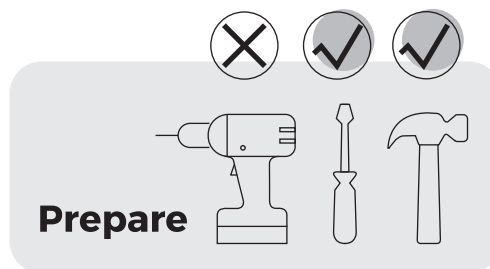
8. When moving the bed frame, please lift it up with two persons to help move it. Do not drag, push or pull the bed frame as these actions may damage the bed frame legs.

# Assembly Checklist



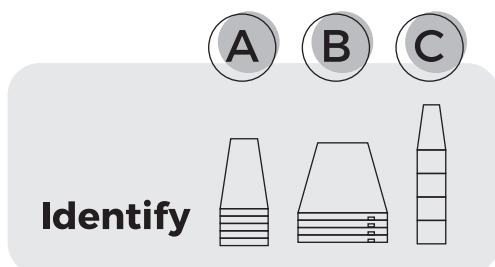
## Read

Read through the instructions carefully before you begin.



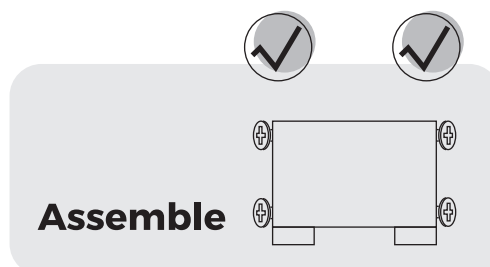
## Prepare

Make sure you have all the required tools. Never use power tools unless instructed.



## Identify

Identify and lay out all of the components before you begin assembly.



## Assemble

Please fully tighten all screws during the assembly process unless instructed not to do so.

## Helpful Information

! Never use power tools unless specifically instructed. They can damage your components or hardware if used incorrectly.

! The most common mistakes made during assembly are using the wrong hardware or getting components back to front.

! When assembling the product, it is recommended to do so on top of a soft surface such as a carpet or cardboard to avoid scratches and damages to the furniture surfaces.

! Bulky items such as wardrobes should be assembled in the location when the assembled piece will be used to avoid moving them through doors or tight passages.

! Never use any glue until you are certain that the parts belong together.

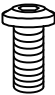
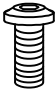
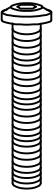
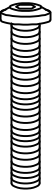
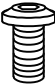
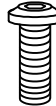
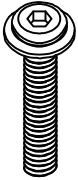
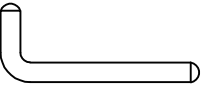
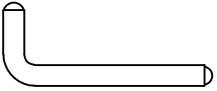
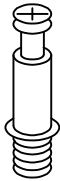

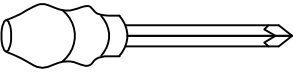

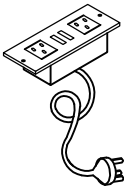
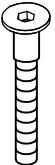
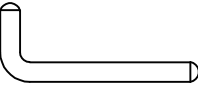
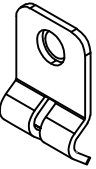
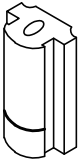
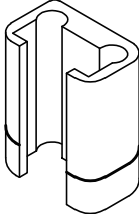
! Periodically check that all connections are secured and follow all care and maintenance instructions stated.

! If you encounter any assembly difficulties or missing components and/or hardware, please contact our Customer Service for further assistance.

# Hardware List

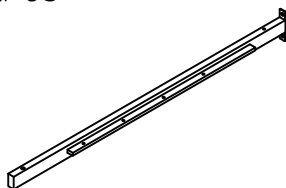
Please ensure that all parts and hardware are in the packaging contents. If there are any missing parts and/or hardware, please contact our Customer Support as soon as possible.

**Note:** If you see a +1 or +2, this means that the hardware has extra numbers as spares.

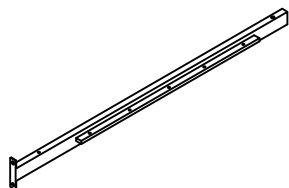
<p><b>Part A</b> 4+1PCS M6x12mm</p> 	<p><b>Part B</b> 24+2PCS M6x15mm</p> 	<p><b>Part C</b> 4+1PCS M6x34mm</p> 	<p><b>Part D</b> 6+1PCS M6x45mm</p> 
<p><b>Part E</b> 16+2PCS M8x15mm</p> 	<p><b>Part F</b> 10+1PCS M8x20mm</p> 	<p><b>Part G</b> 7+1PCS M8x55mm</p> 	<p><b>Part H</b> 1PC M6</p> 
<p><b>Part I</b> 1PC M8</p> 	<p><b>Part J</b> 8+1PCS</p> 	<p><b>Part K</b> 8+1PCS</p> 	<p><b>Part L</b> 1PC</p> 
<p><b>Part M</b> 2+1PCS M3x12mm</p> 	<p><b>Part N</b> 1PC</p> 	<p><b>Part S</b> 16+2PCS M5x35mm</p> 	<p><b>Part T</b> 1PC M5</p> 
<p><b>Part U</b> 8+1PCS</p> 	<p><b>Part W</b> 4+1PCS</p> 	<p><b>Part V</b> 4+1PCS</p> 	

# Parts List

**Part 1**  
2PCS



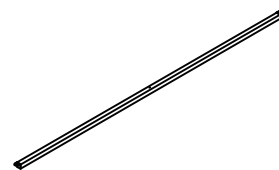
**Part 2**  
2PCS



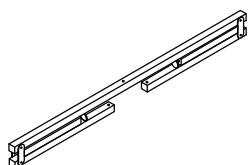
**Part 3**  
2PCS



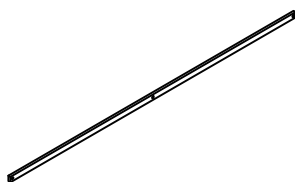
**Part 4**  
2PCS



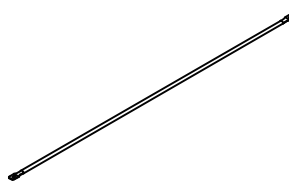
**Part 5**  
1PC



**Part 6**  
1PC



**Part 7**  
10PCS



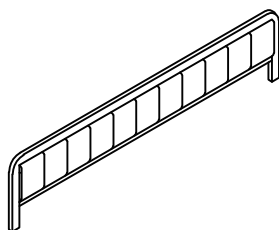
**Part 8**  
2PCS



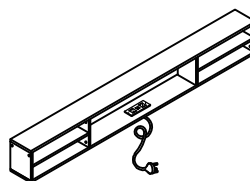
**Part 9**  
1PC



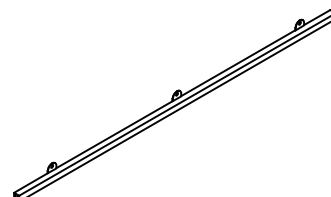
**Part 10**  
1PC



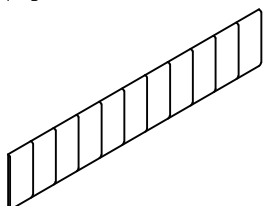
**Part 11**  
1PC  
Bedhead shelving



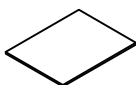
**Part 12**  
1PC



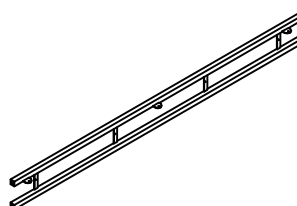
**Part 13**  
1PC



**Part 26**  
5PCS  
Black sticker



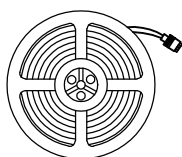
**Part 28**  
1PC



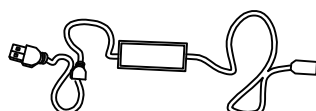
**Part 29**  
2PCS



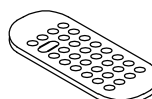
**Part 31**  
1PC  
LED light strip



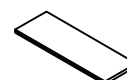
**Part 32**  
1PC  
USB power cord



**Part 33**  
1PC  
Remote control



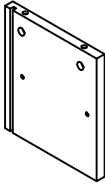
**Part 34**  
5PCS  
Strap magic tape



# Parts List (Bedhead shelving)

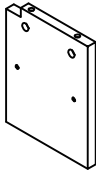
**Part 20**

1PC



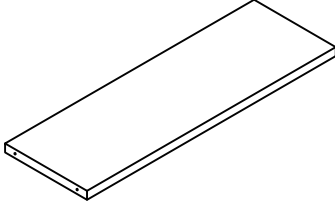
**Part 21**

1PC



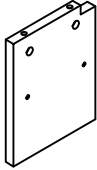
**Part 22**

2PCS



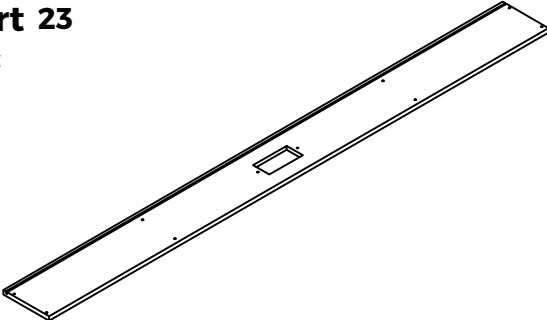
**Part 30**

1PC



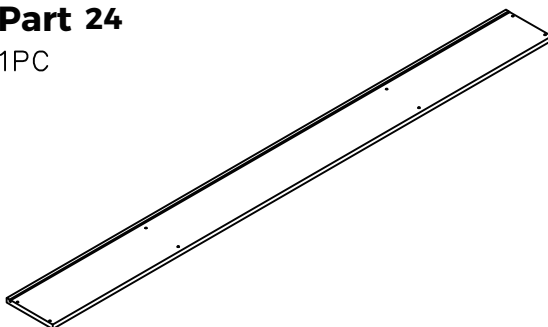
**Part 23**

1PC



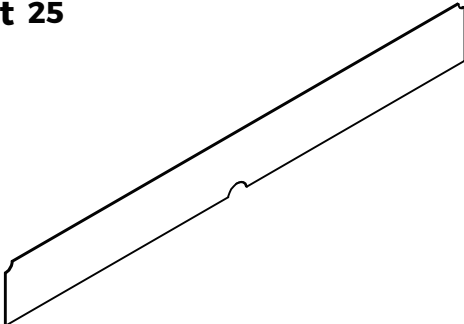
**Part 24**

1PC



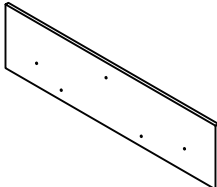
**Part 25**

1PC



**Part 35**

2PCS  
Drawer front panel



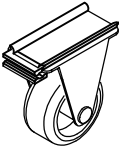
**Part 36**

2PCS



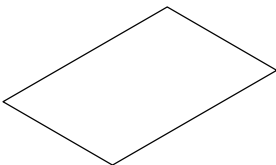
**Part 37**

8PCS  
Castor wheel



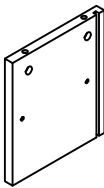
**Part 38**

2PCS  
Drawer base board

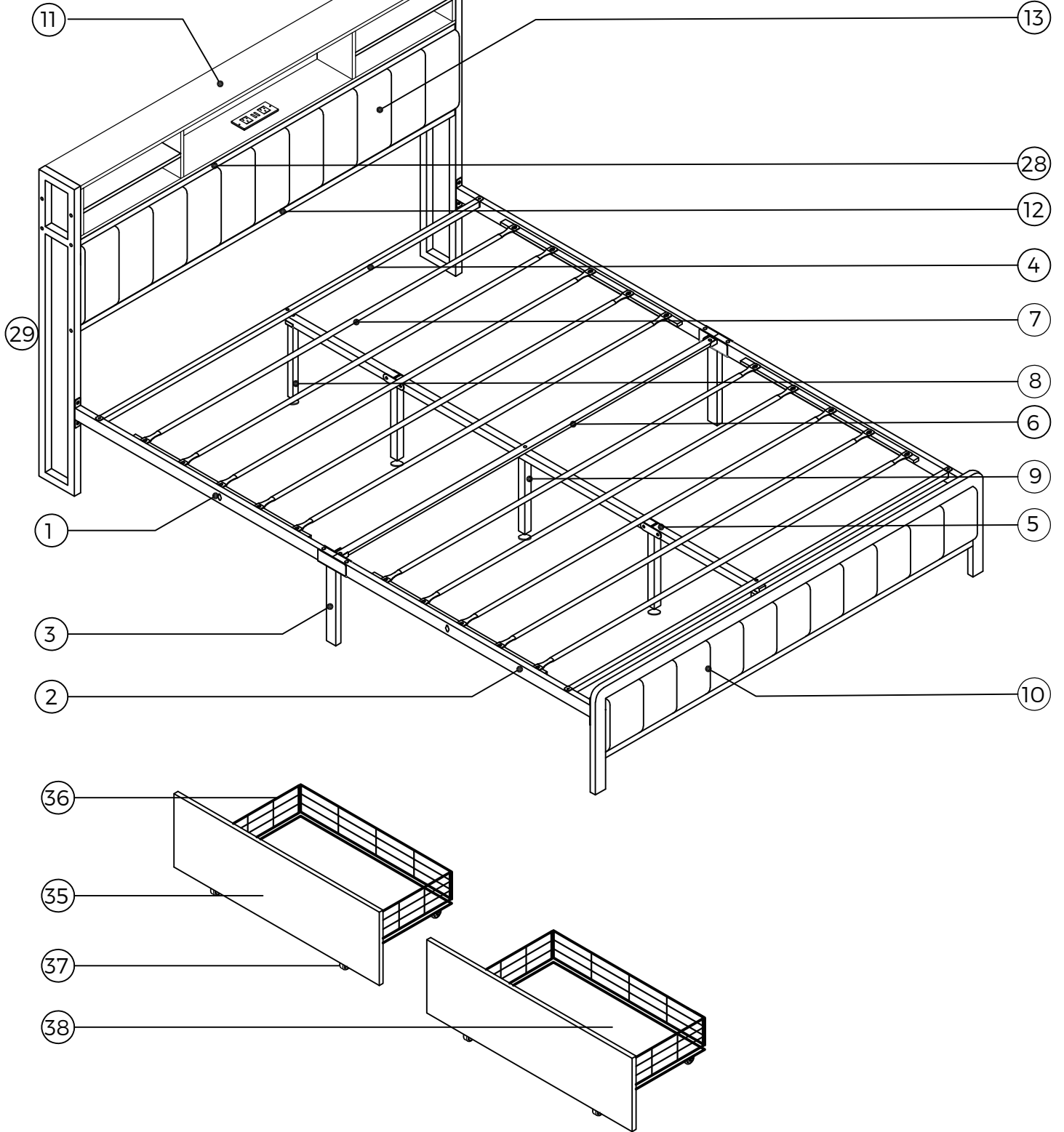


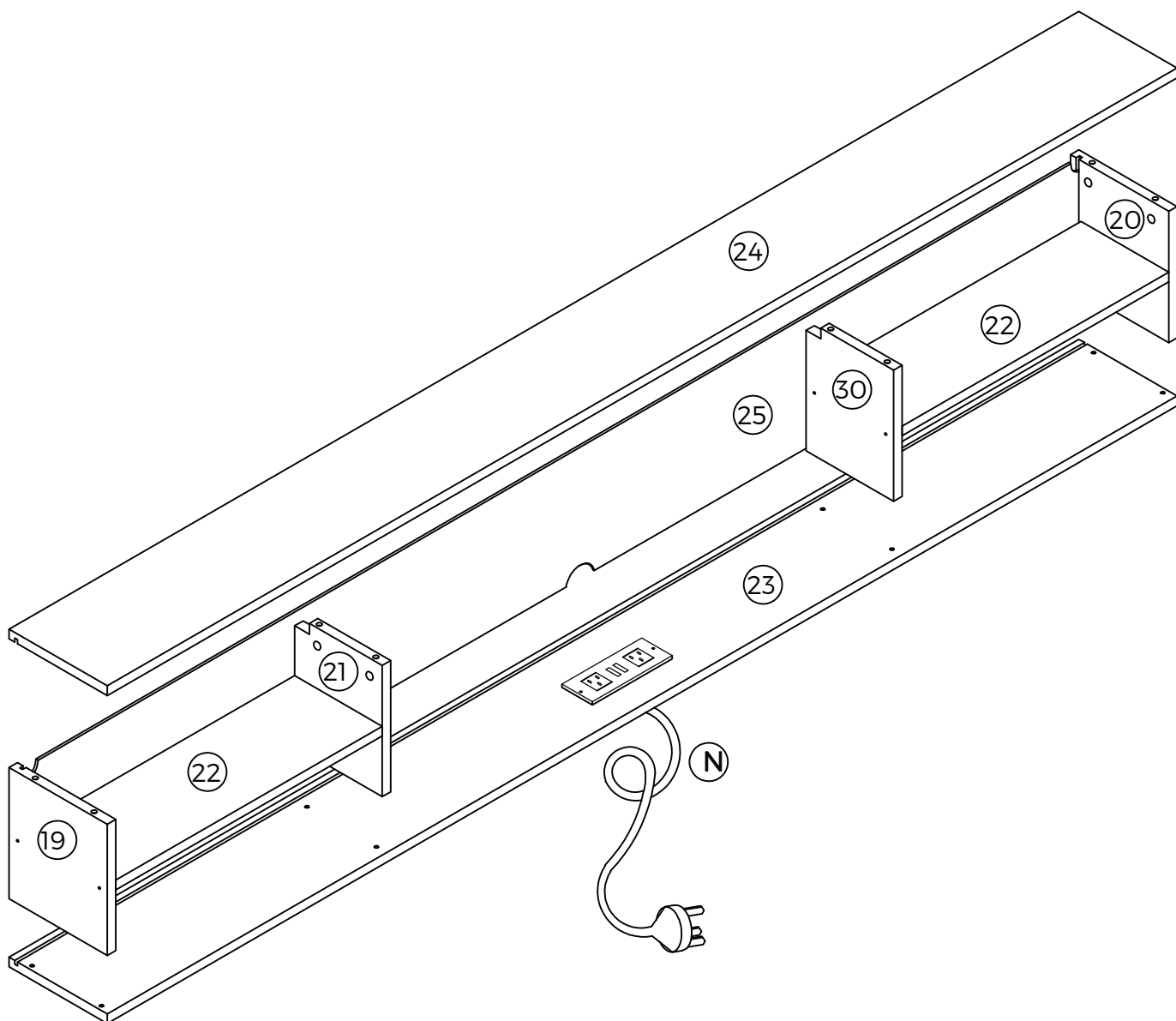
**Part 19**

1PC



Bedhead shelving





# STEP 1

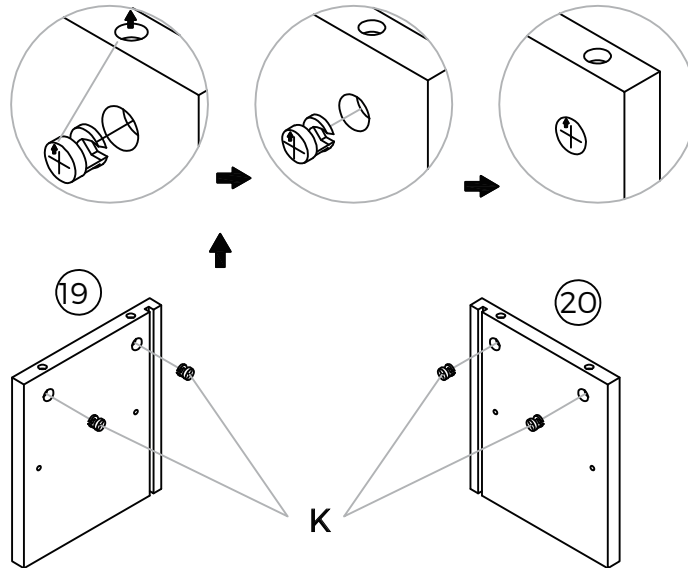
## Part K

4PCS



### Note:

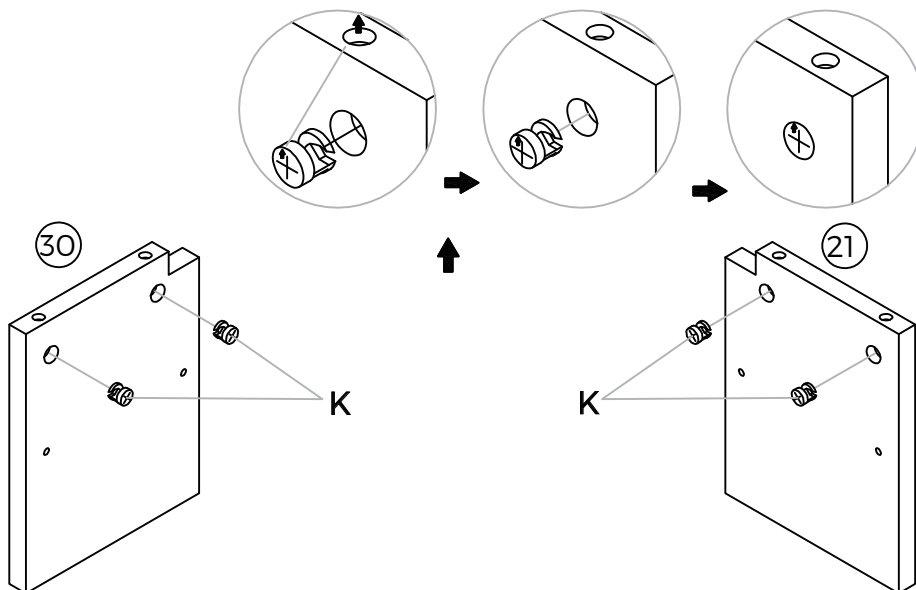
There is an arrow on the cam nut. Please align the arrow with the hole above as shown.



# STEP 2

## Part K

4PCS



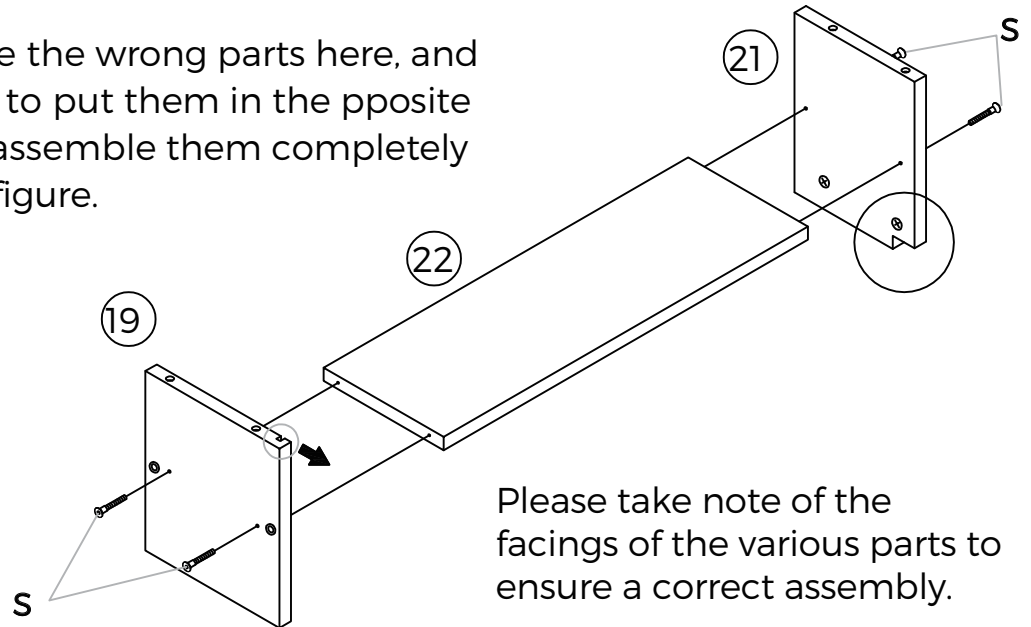
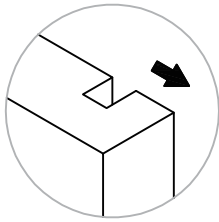
## STEP 3

### Part S

4PCS



Please do not take the wrong parts here, and pay attention not to put them in the pposite direction. Please assemble them completely according to the figure.



Please take note of the facings of the various parts to ensure a correct assembly.

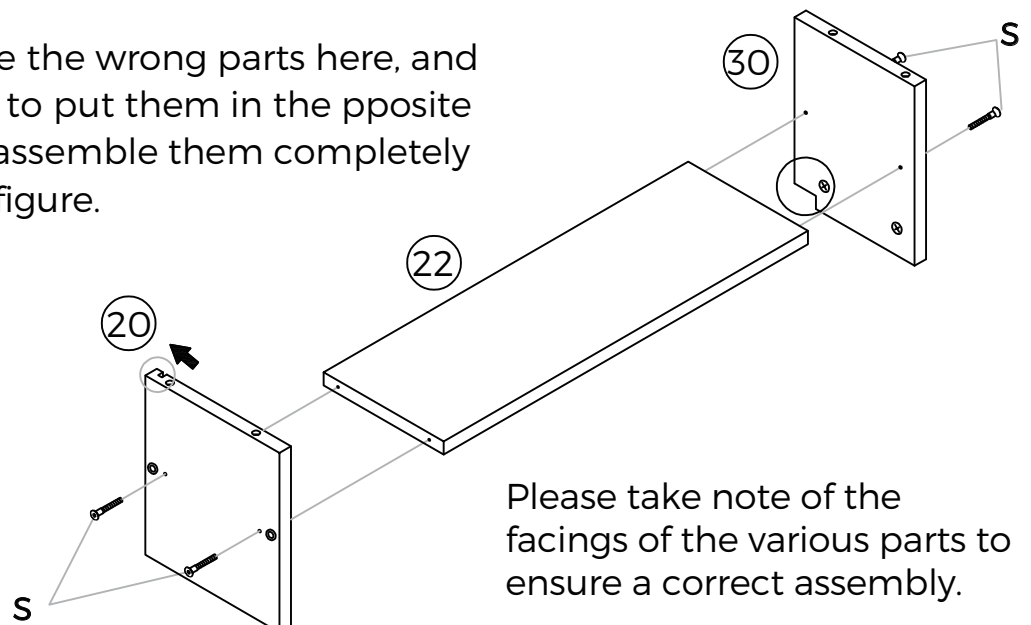
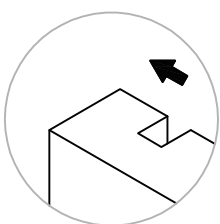
## STEP 4

### Part S

4PCS



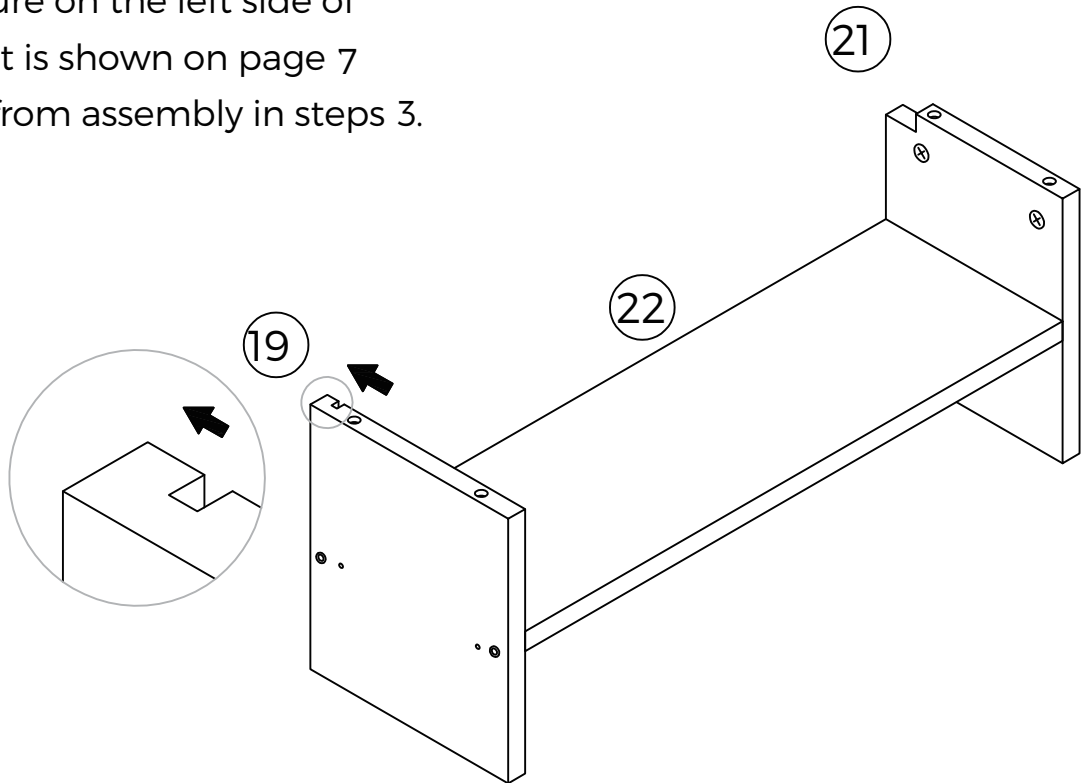
Please do not take the wrong parts here, and pay attention not to put them in the pposite direction. Please assemble them completely according to the figure.



Please take note of the facings of the various parts to ensure a correct assembly.

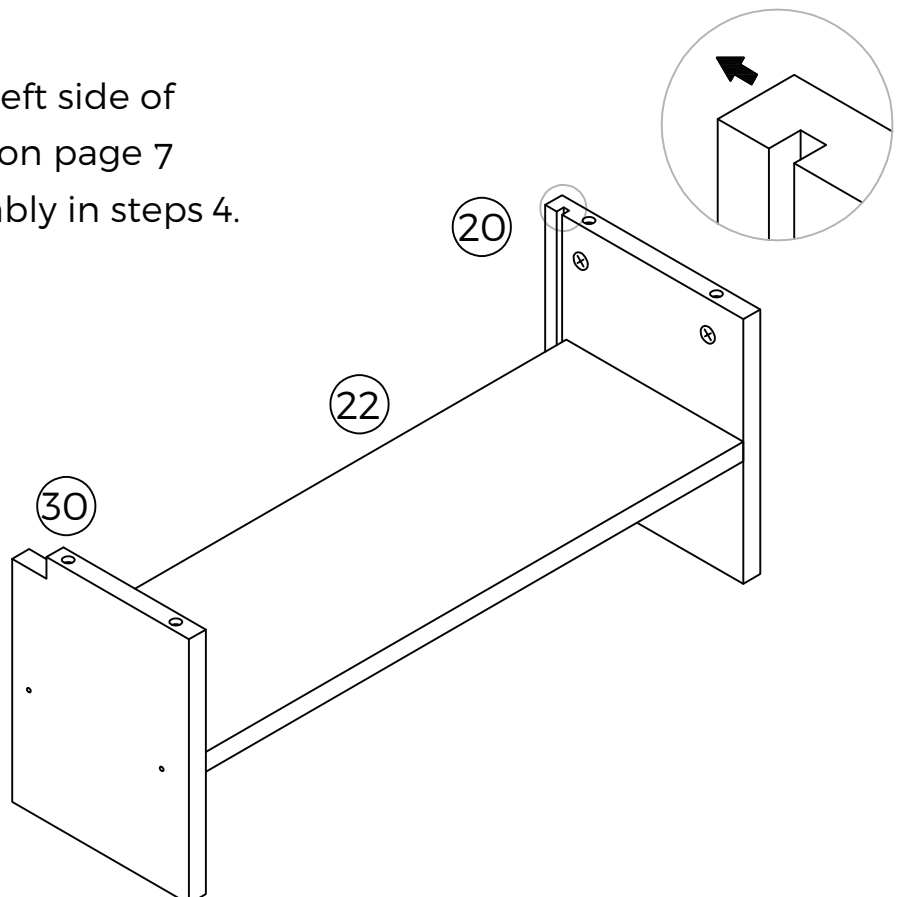
## STEP 5

The structure on the left side of the cabinet is shown on page 7  
Obtained from assembly in steps 3.



## STEP 6

The structure on the left side of the cabinet is shown on page 7  
Obtained from assembly in steps 4.



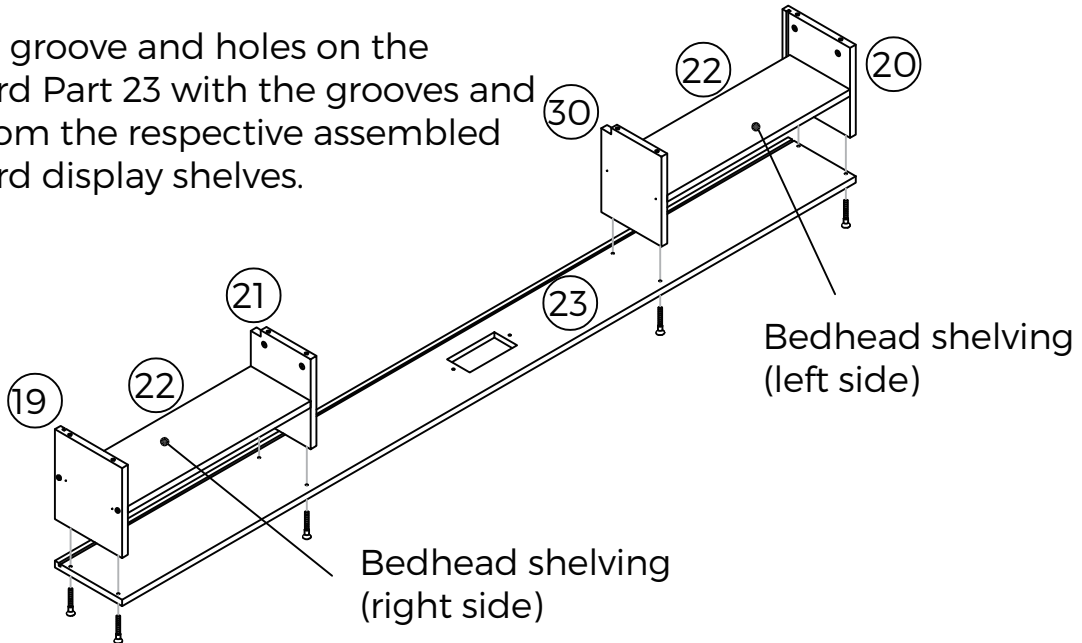
# STEP 7

## Part S

8PCS



Align the groove and holes on the headboard Part 23 with the grooves and screws from the respective assembled headboard display shelves.



# STEP 8

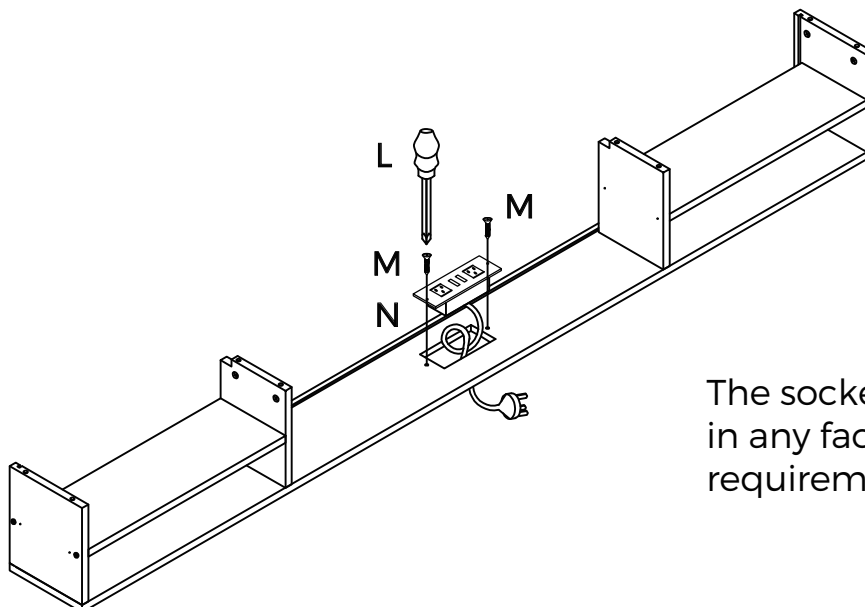
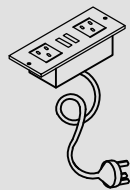
## Part M

2PCS  
M3x12mm



## Part N

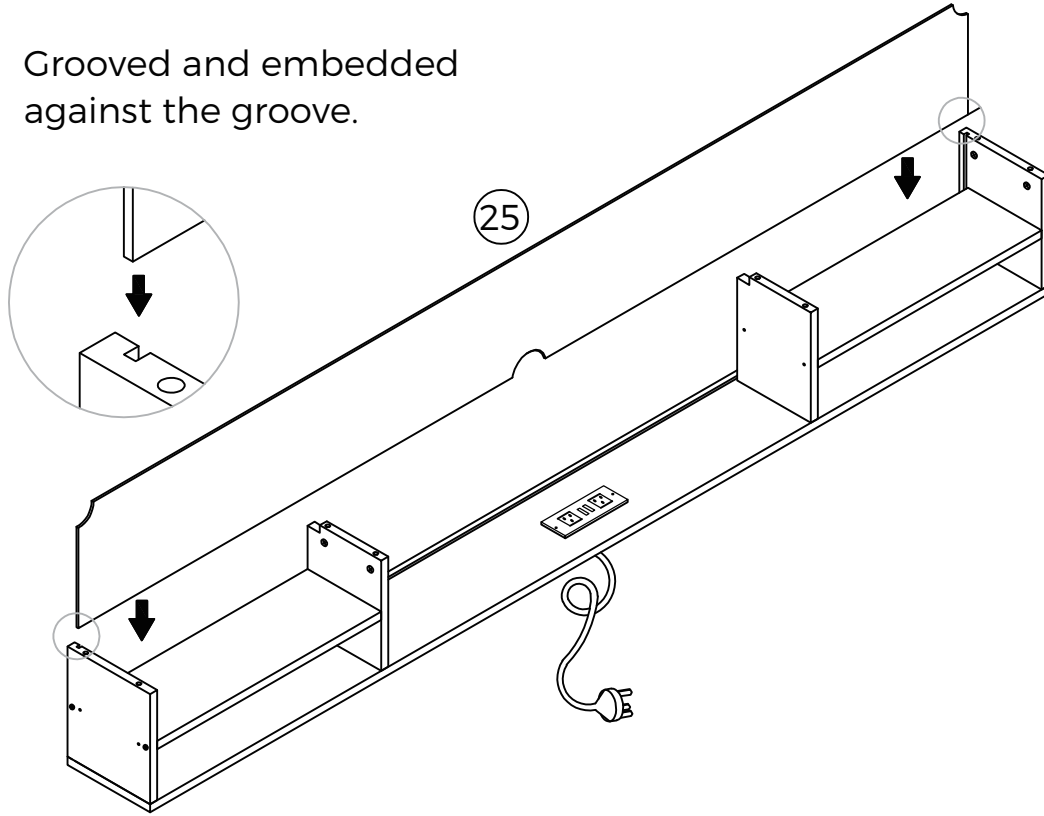
1PC



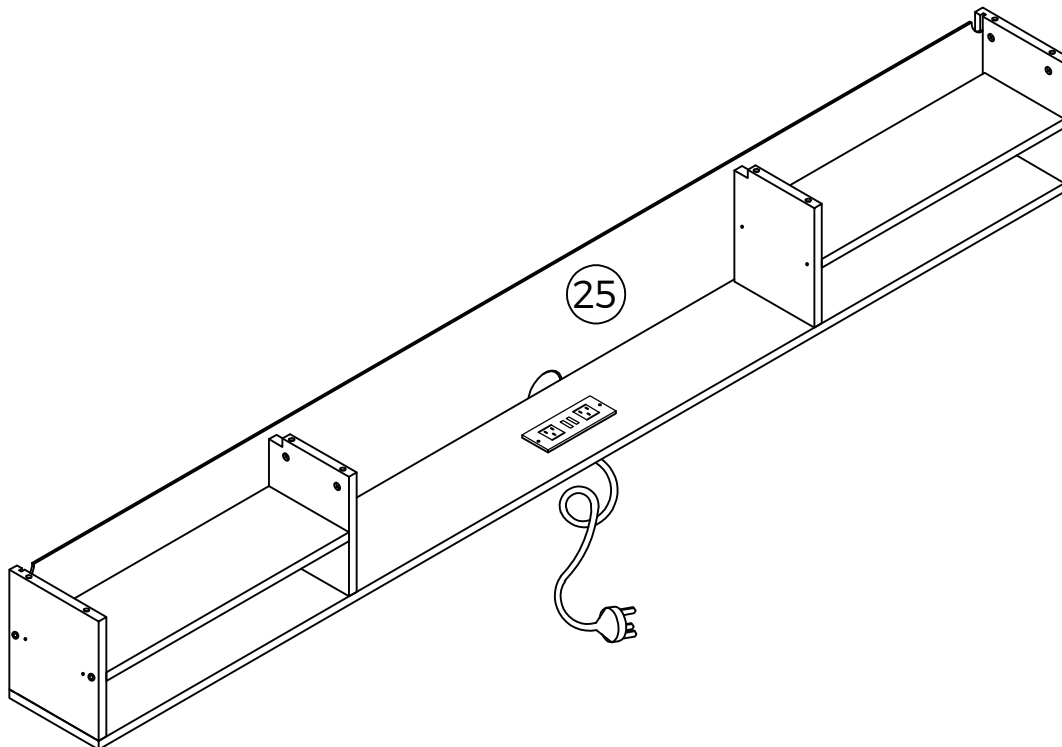
The socket can be installed in any facing according to requirements.

# STEP 9

Grooved and embedded  
against the groove.



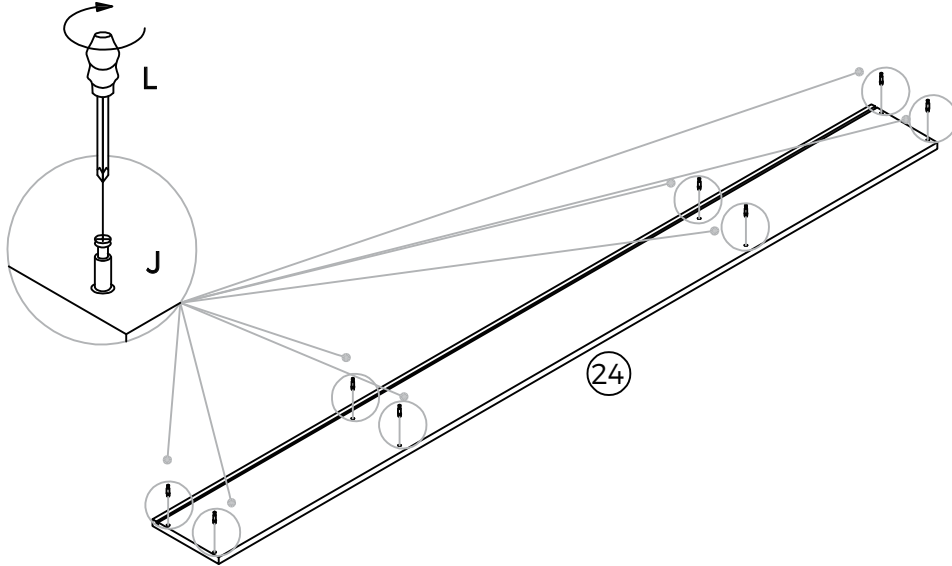
# STEP 10



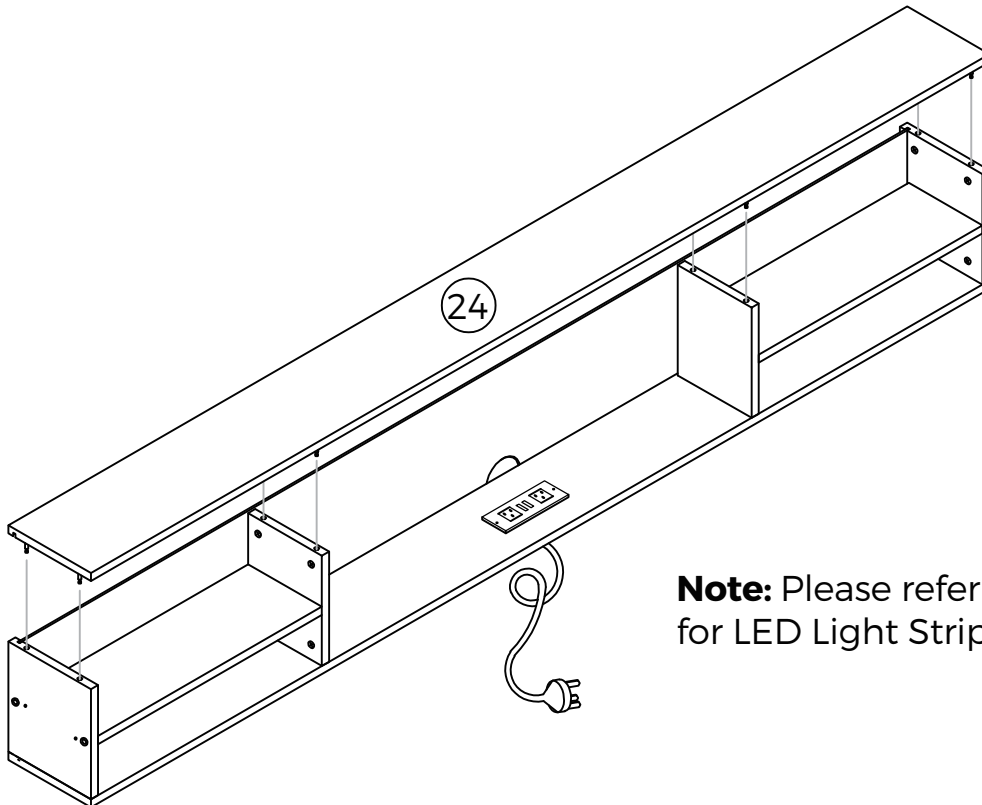
# STEP 11

## Part J

8PCS

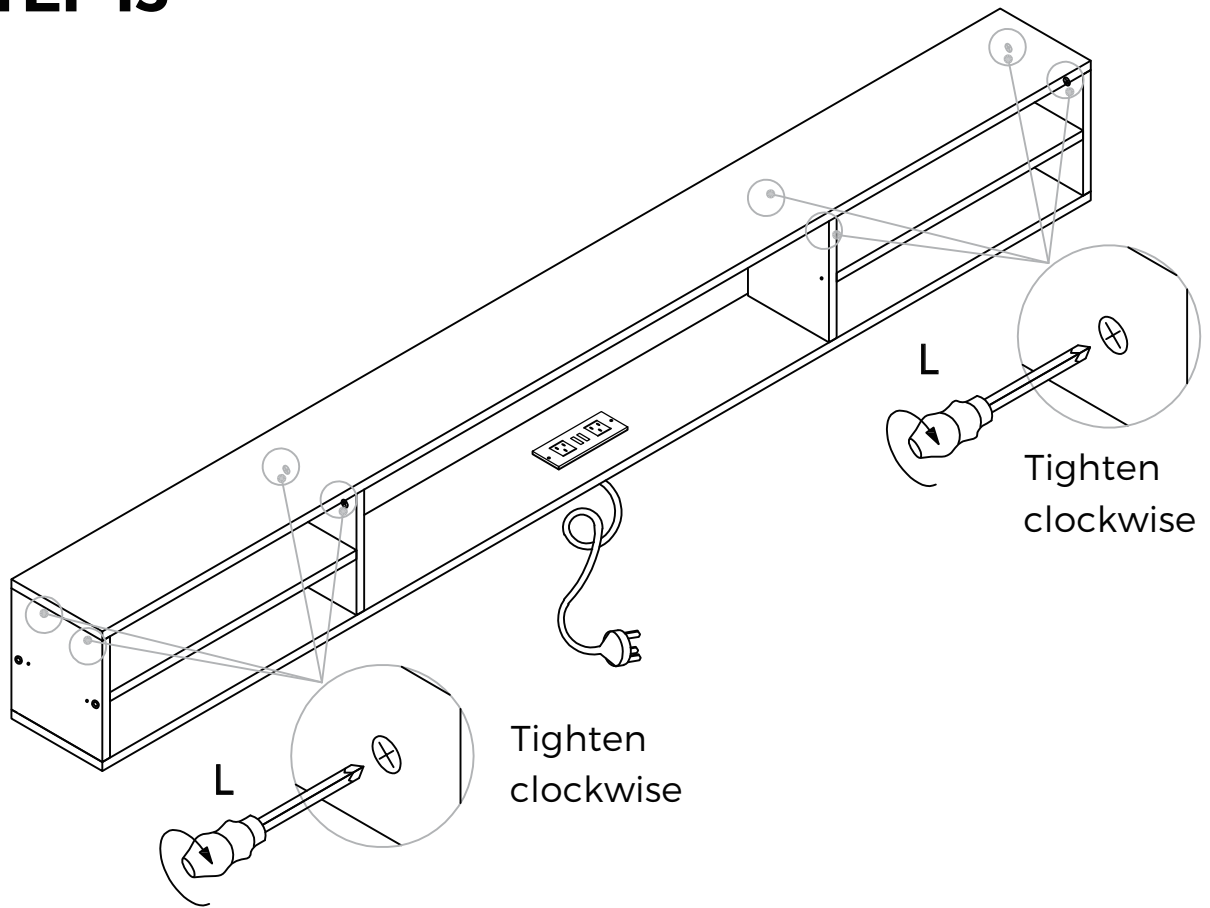


# STEP 12

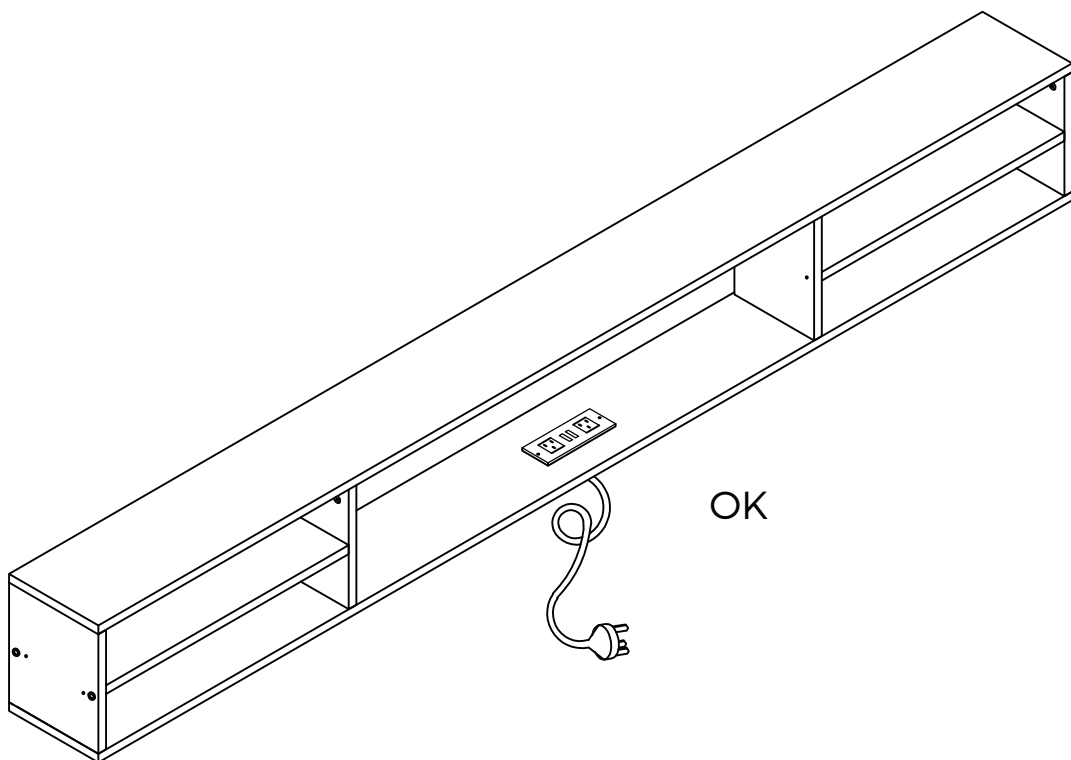


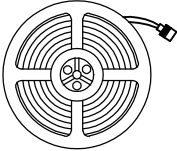
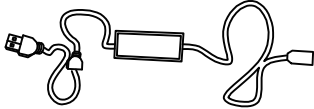

**Note:** Please refer to page 15 for LED Light Strip Installation.

# STEP 13

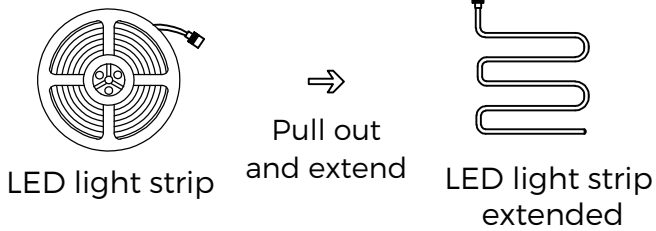
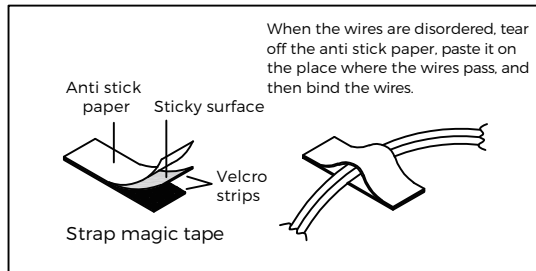


# STEP 14



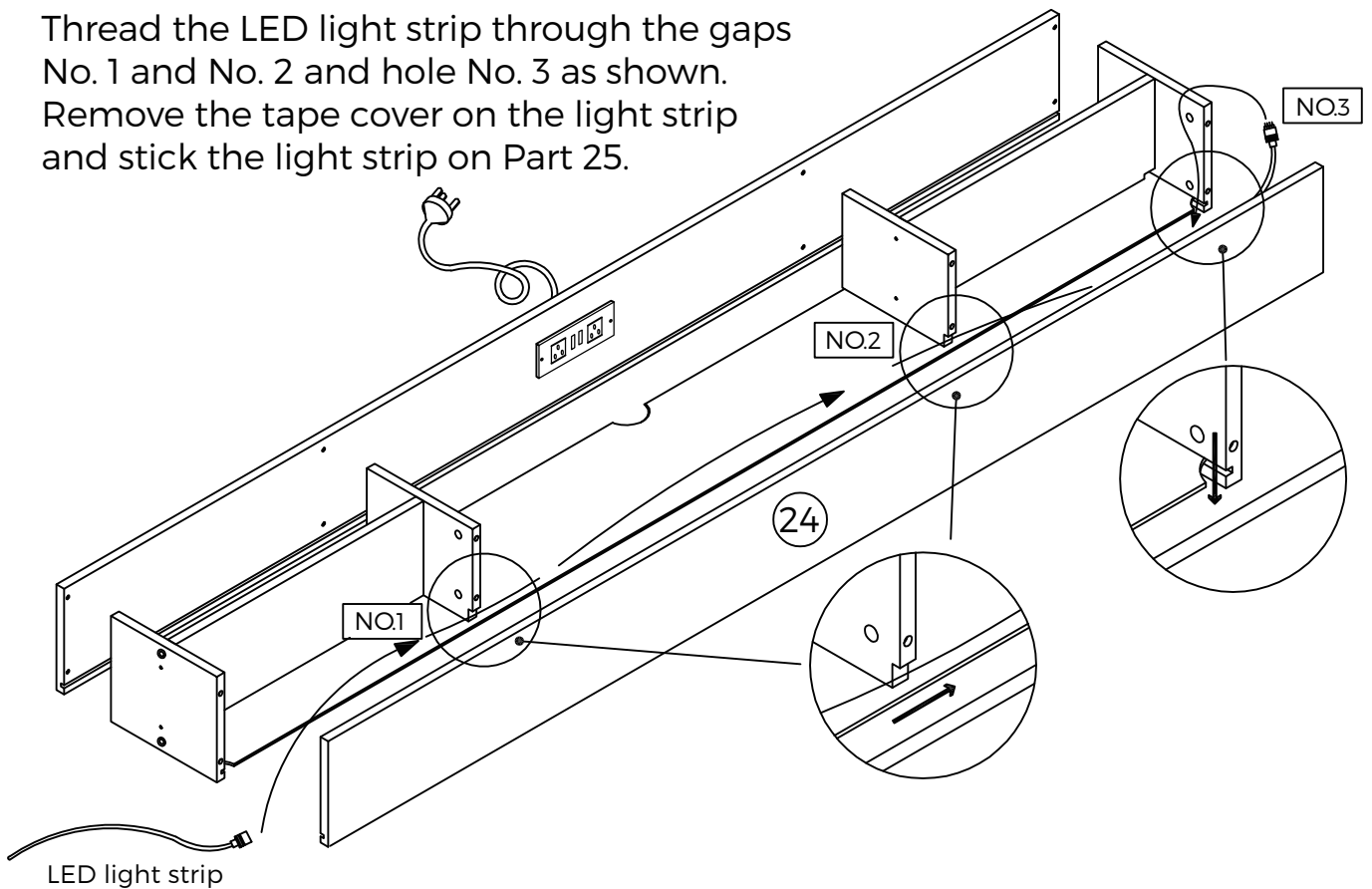
-   
 1PC  
 (31) LED light strip
-   
 1PC  
 (32) USB power cord
-   
 1PC  
 (33) Remote control

  
 5PCS  
 Strap magic tape



## LED Light Bar Installation

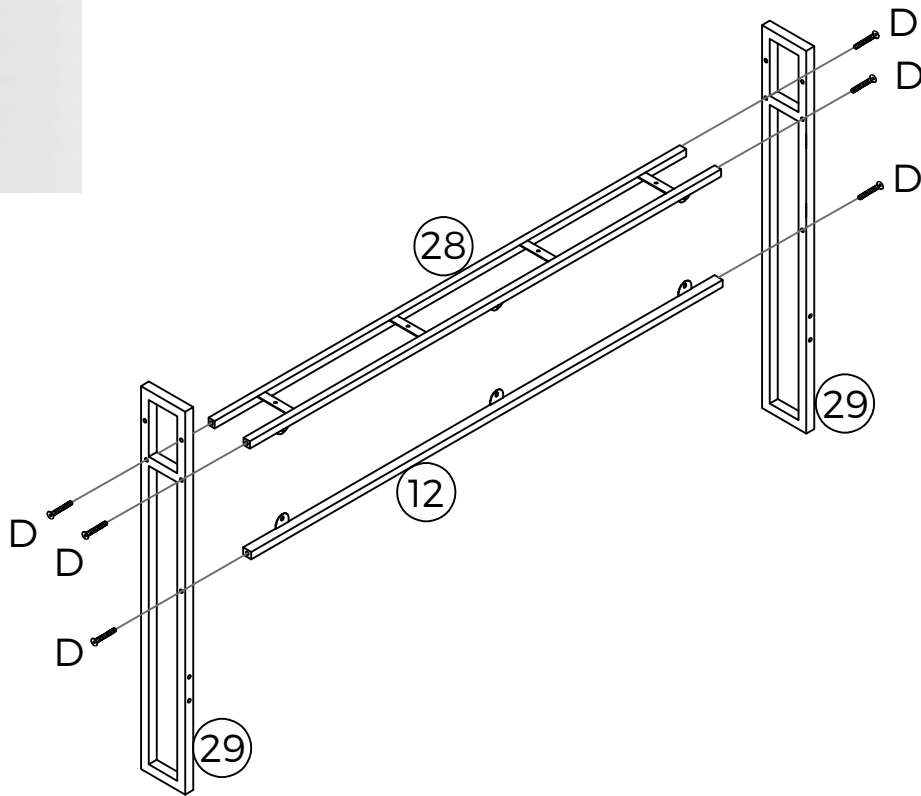
Thread the LED light strip through the gaps No. 1 and No. 2 and hole No. 3 as shown. Remove the tape cover on the light strip and stick the light strip on Part 25.



# STEP 15

## Part D

6PCS  
M6x45mm



# STEP 16

## Part A

4PCS  
M6x12mm

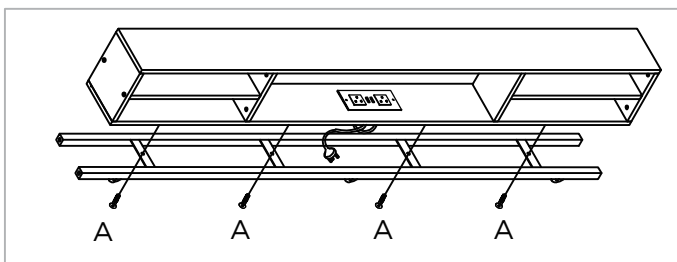
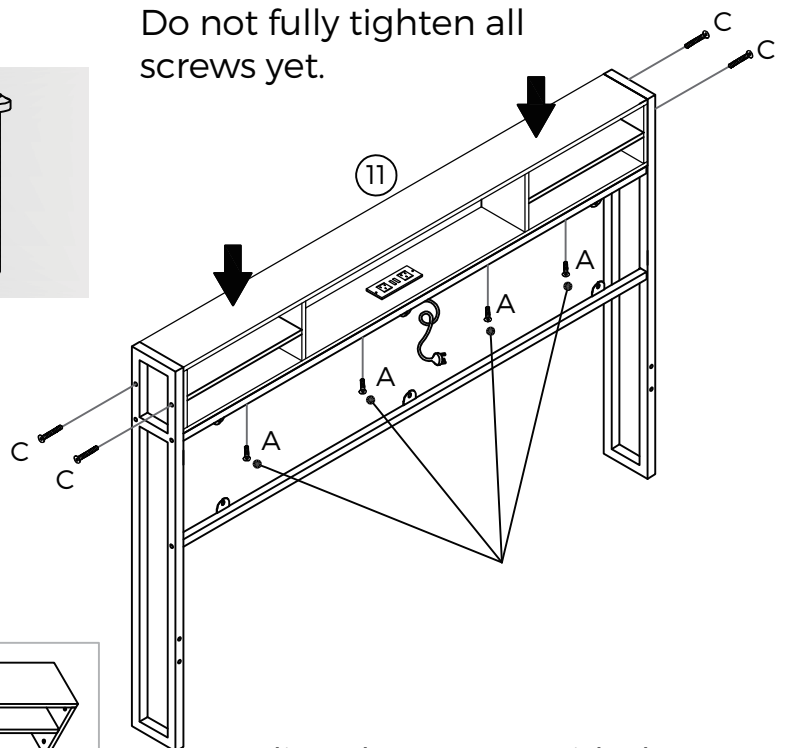


## Part C

4PCS  
M6x34mm



Do not fully tighten all screws yet.

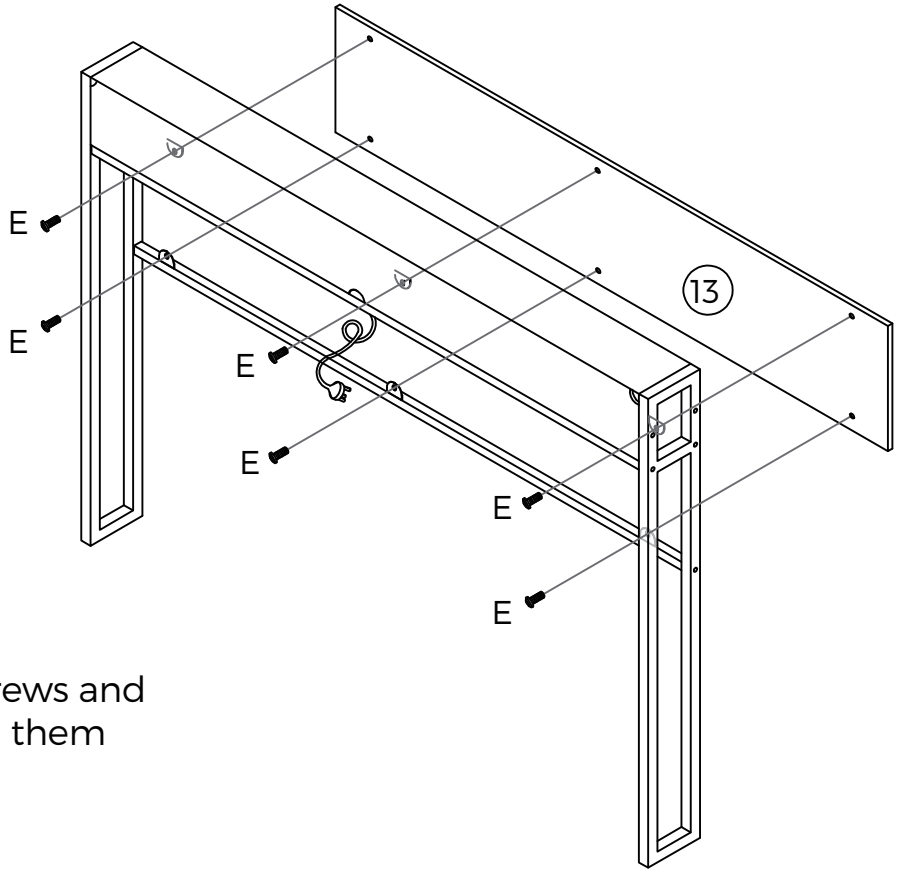


Align the screws with the screw holes underneath the bedhead shelving.

# STEP 17

## Part E

6PCS  
M8x15mm



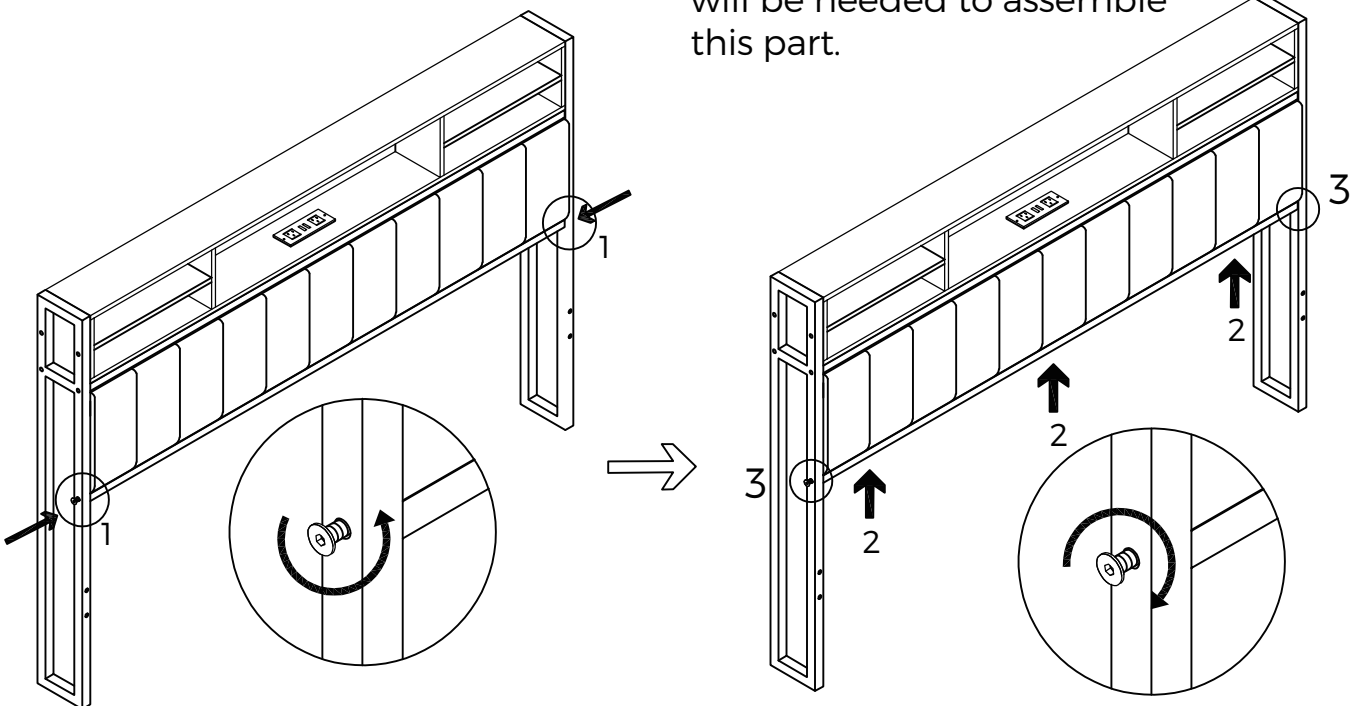
Hand screw the screws and do not fully tighten them yet.

# STEP 18

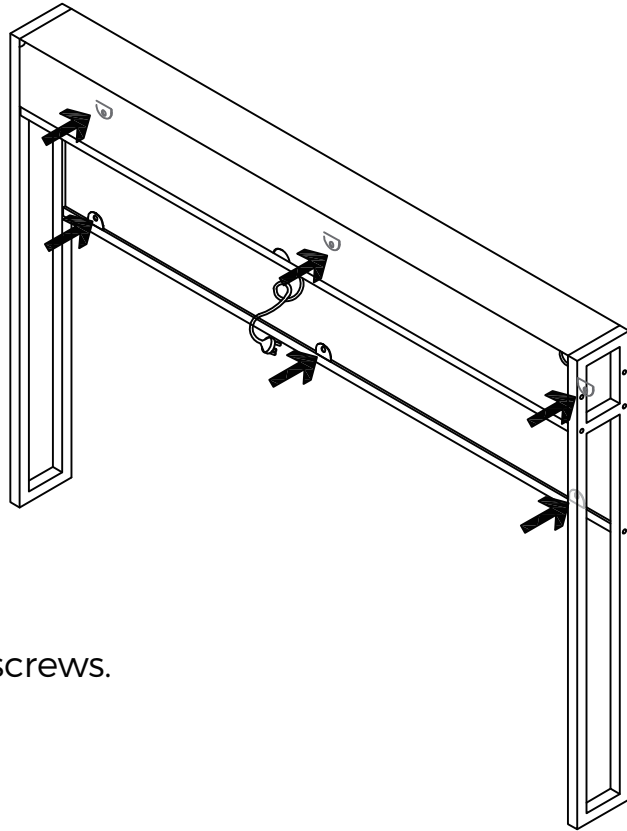
1. Loosen the screws as indicated by the arrow.

2. Lift up in the direction shown.

3. Tighten all screws. It is recommended that two persons will be needed to assemble this part.



# STEP 19

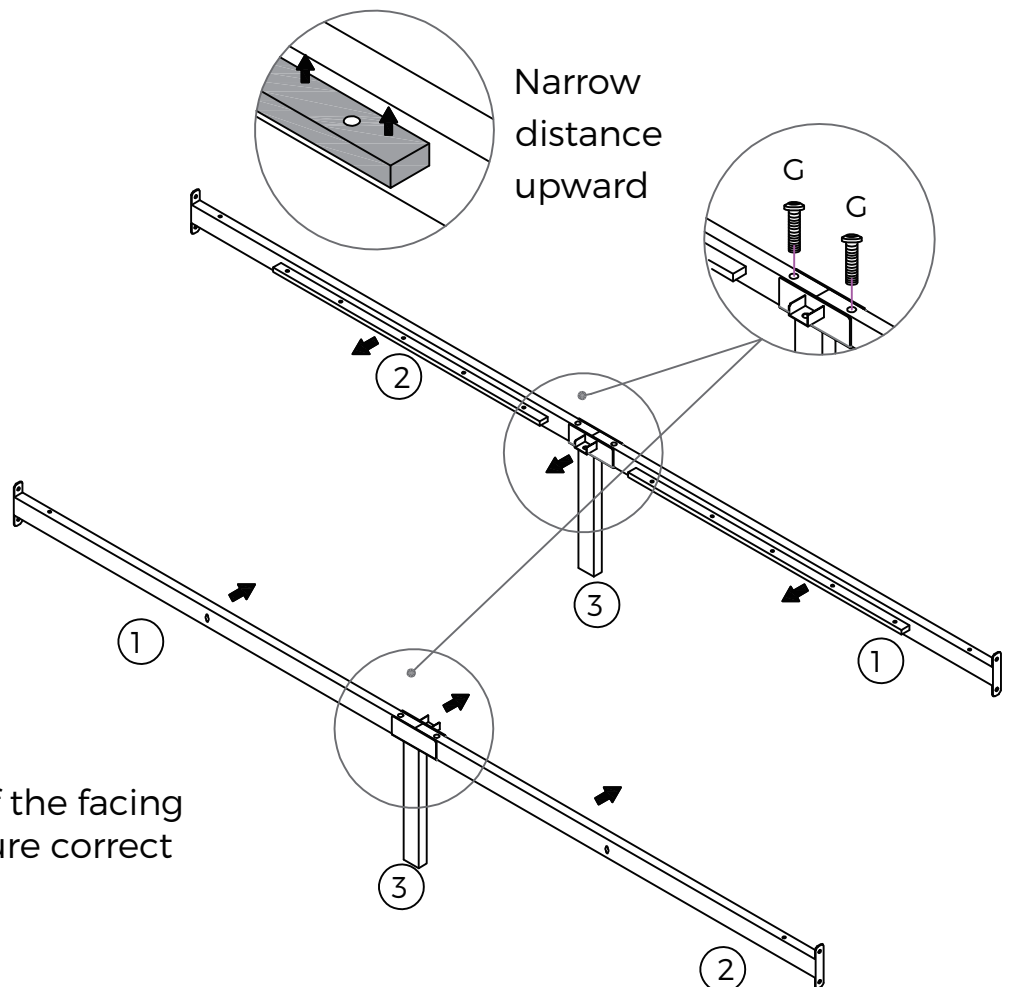


Tighten fully all screws.

# STEP 20

## Part G

4PCS  
M8x55mm

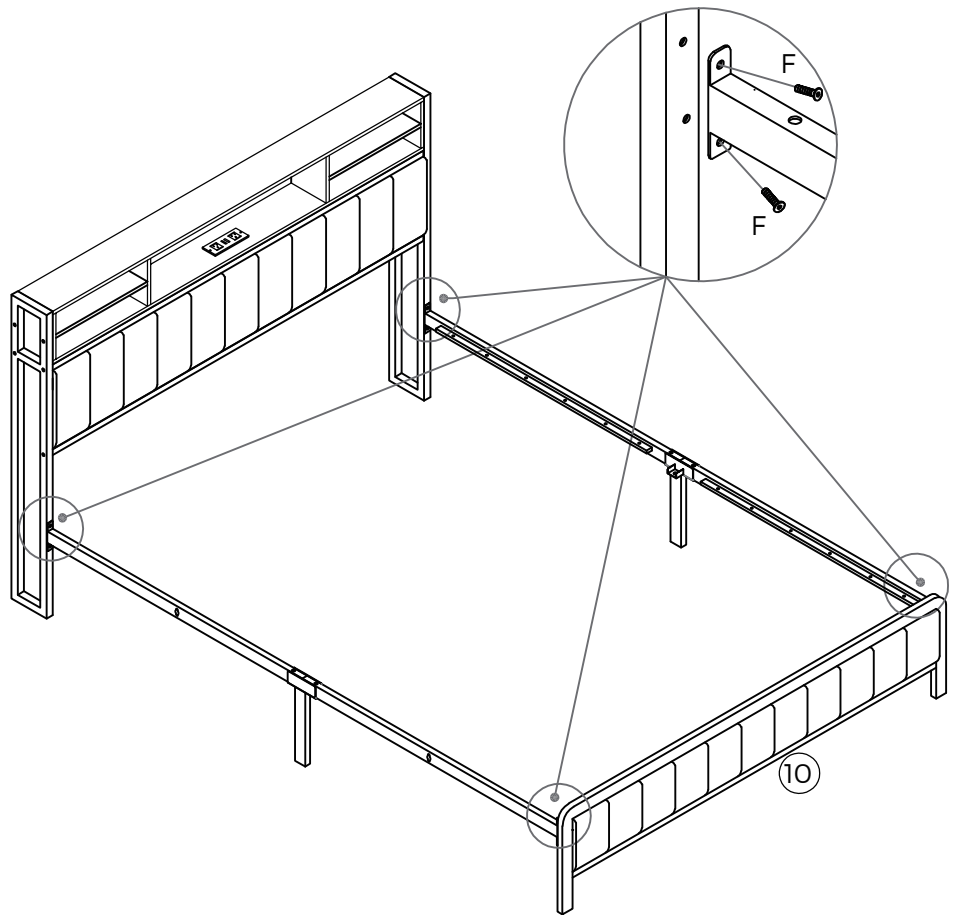


Please take note of the facing of the parts to ensure correct assembly.

# STEP 21

## Part F

8PCS  
M8x20mm



# STEP 22

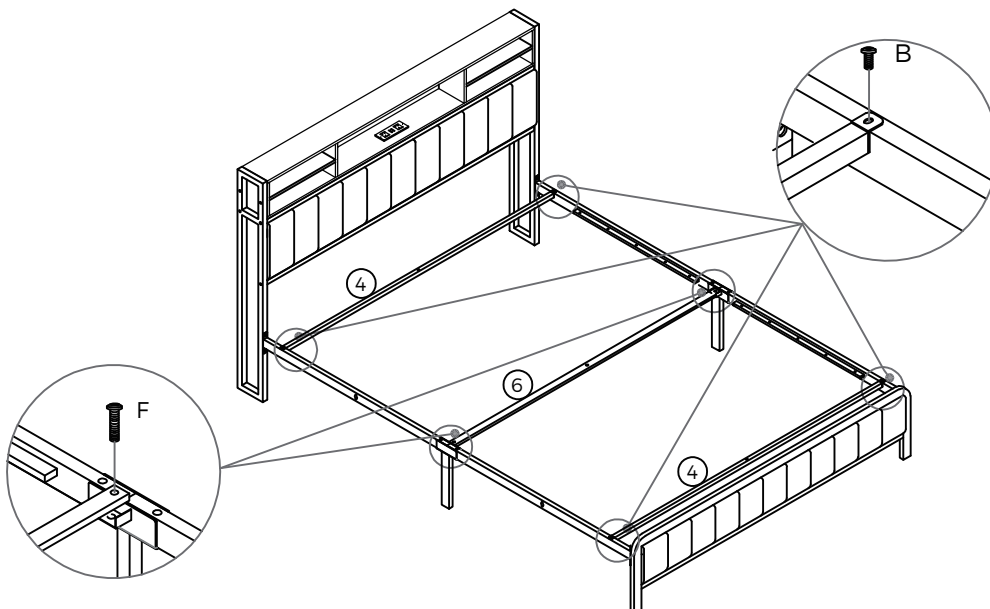
## Part B

4PCS  
M6x15mm



## Part F

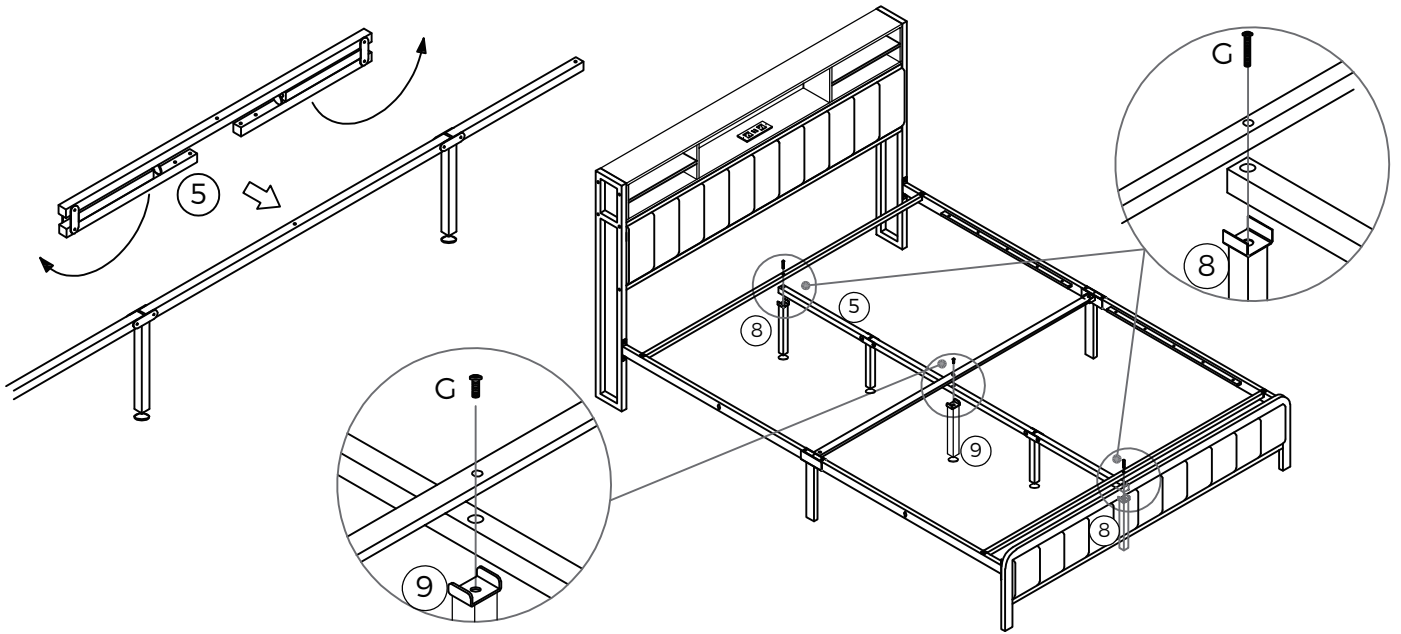
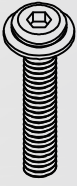
2PCS  
M8x20mm



# STEP 23

## Part C

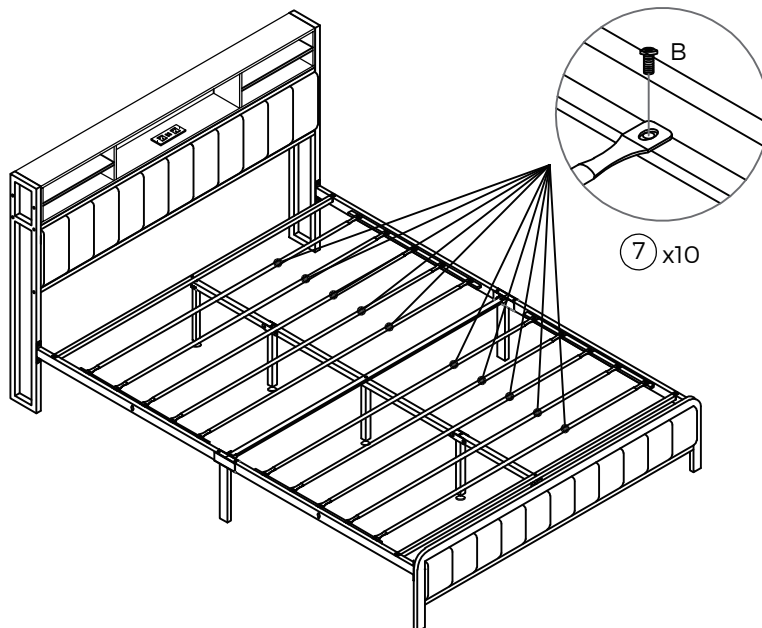
3PCS  
M8x55mm

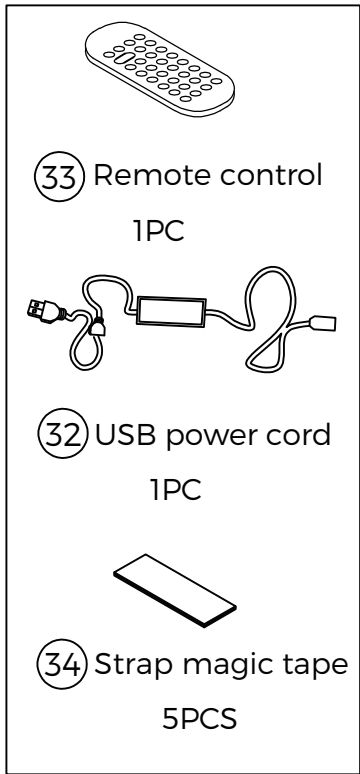


# STEP 24

## Part B

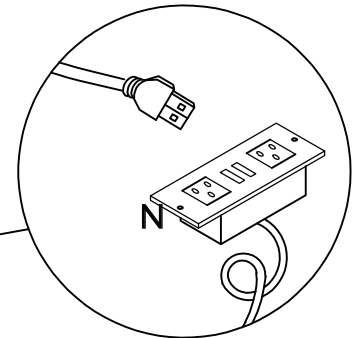
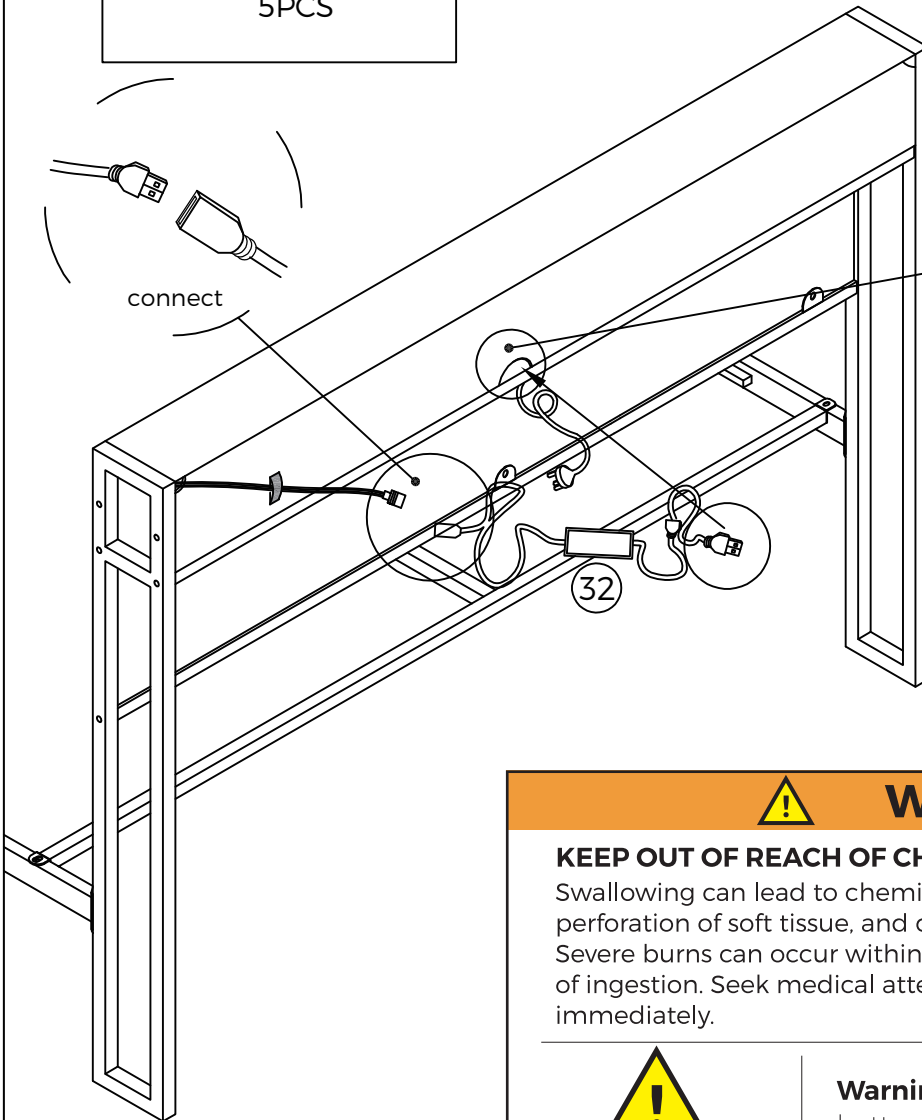
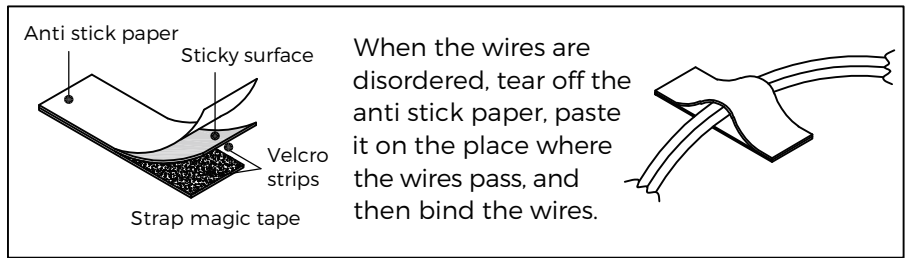
20PCS  
M6x15mm





1. After all wires are connected, except for the large power plug that must be connected to the power supply, other wires can be folded and tied into the large magic tape on the back.


2.If you feel that the magic tape is not enough, we also provided adhesive Velcro stickers, but they cannot be used on the cloth surface. Can be used behind the bedside cabinet




Connect one end of the USB power cord to the socket and plug the other end into a mains power outlet.

**⚠ WARNING**

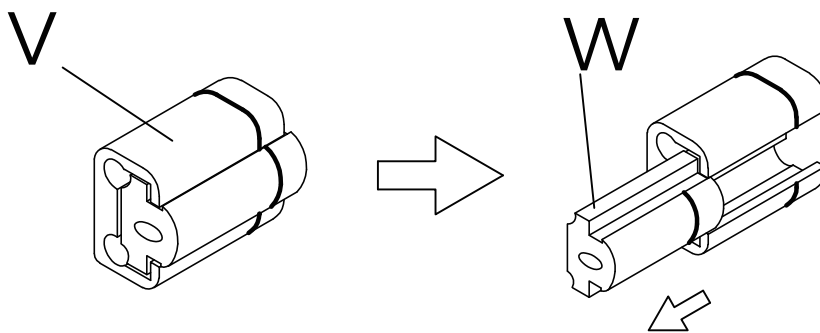
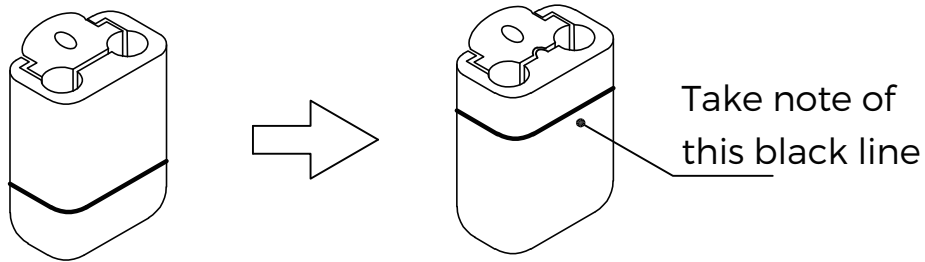
**KEEP OUT OF REACH OF CHILDREN**  
Swallowing can lead to chemical burns, perforation of soft tissue, and death. Severe burns can occur within 2 hours of ingestion. Seek medical attention immediately.



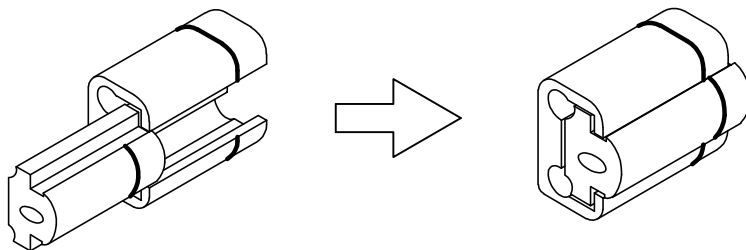
**Warning:** Contains button or coin cell battery. Hazardous if swallowed. See instructions.



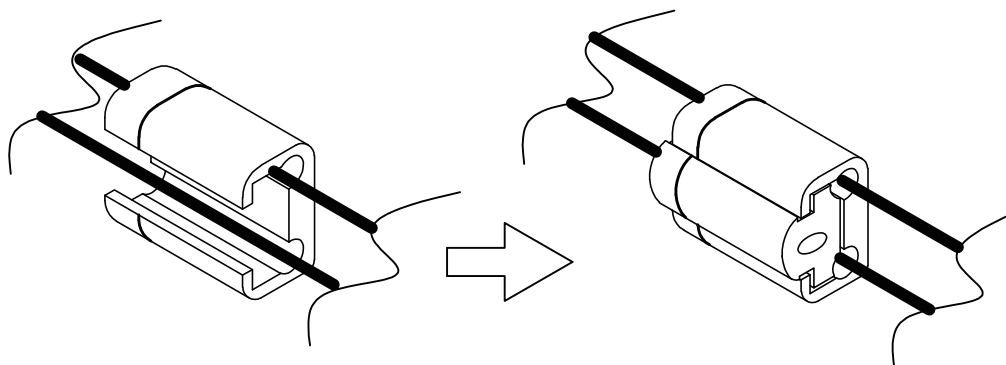
# Black Plastic Buckle



Part W can removed from Part V by pulling it out in the direction shown.



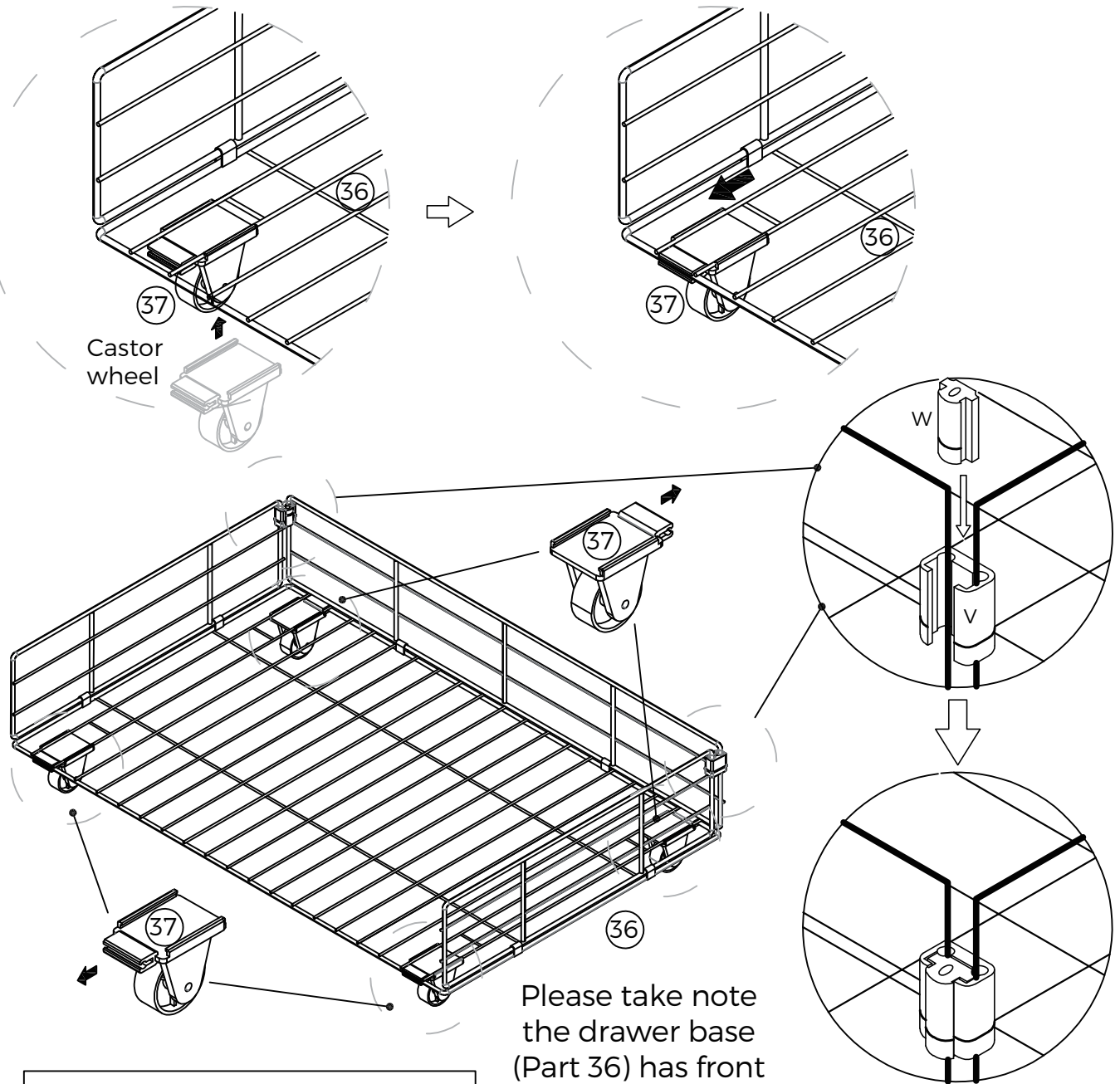
Part W and Part V can only be locked in one direction.



The black plastic buckle is used to lock the two metal bars.

As shown in the figure Clip the pulley into position first.

Then push the pulley to the side  
At the same time, clamp the iron wire at the edge. It takes a little strength.



Please take note the drawer base (Part 36) has front and rear sides.

Castor wheel →

Castor wheel

Please note the facing of the castor wheel to ensure proper installation.

**x2**

Assemble 2 sets

# STEP 25

## Part E

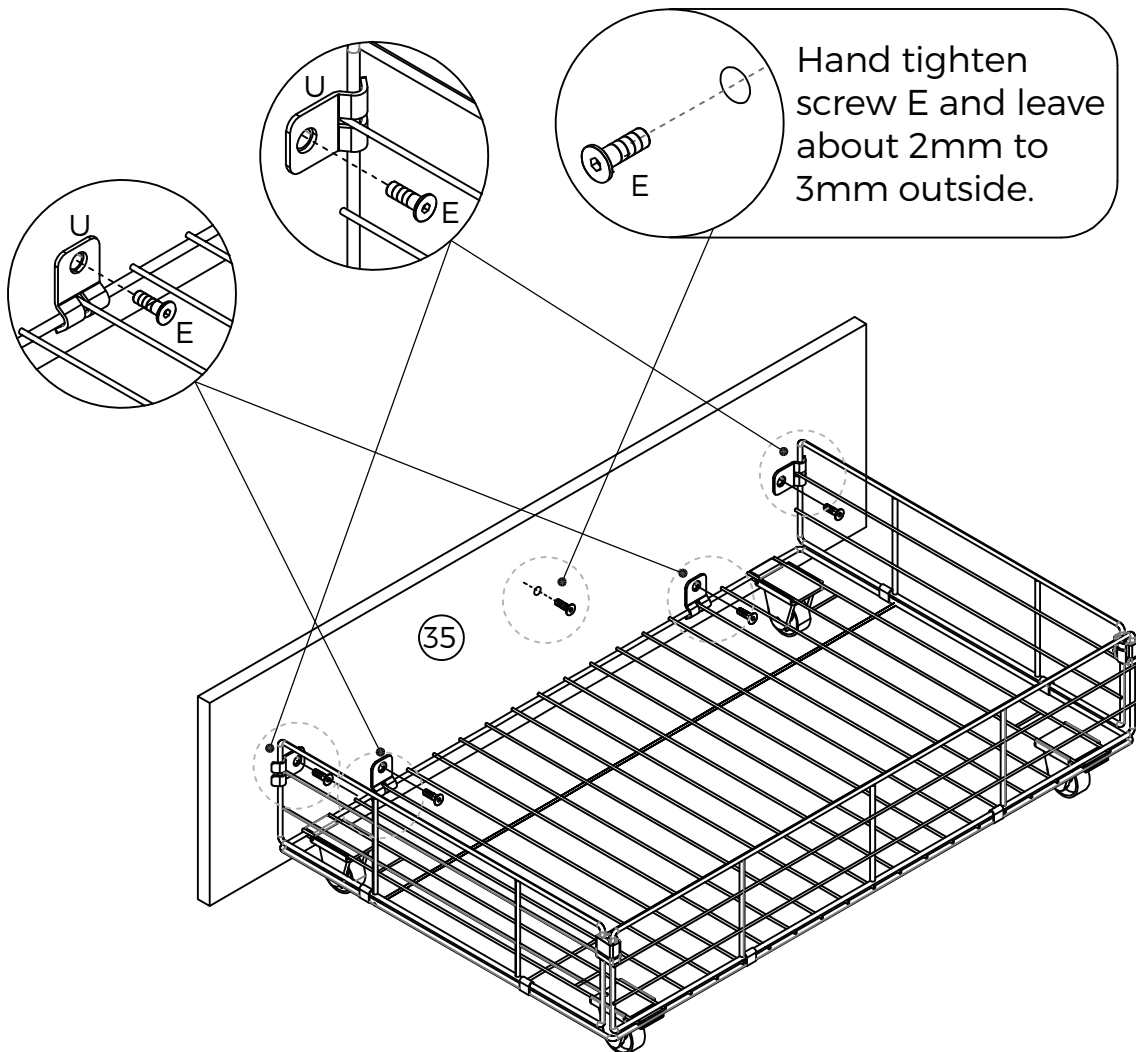
10PCS  
M8x15mm



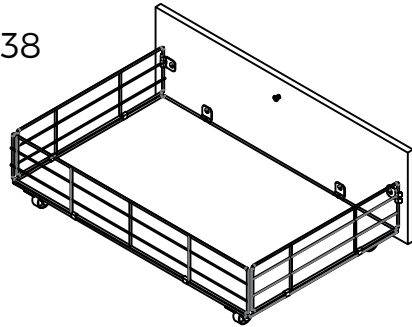
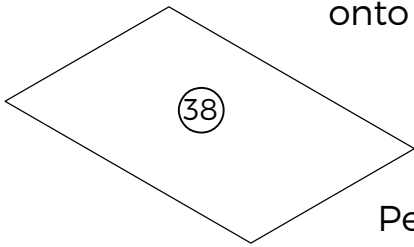
# x2

Assemble 2 sets

Perform this step for all  
the drawer boards Part 35.



Place the drawer pad Part 38 onto the drawer as shown.



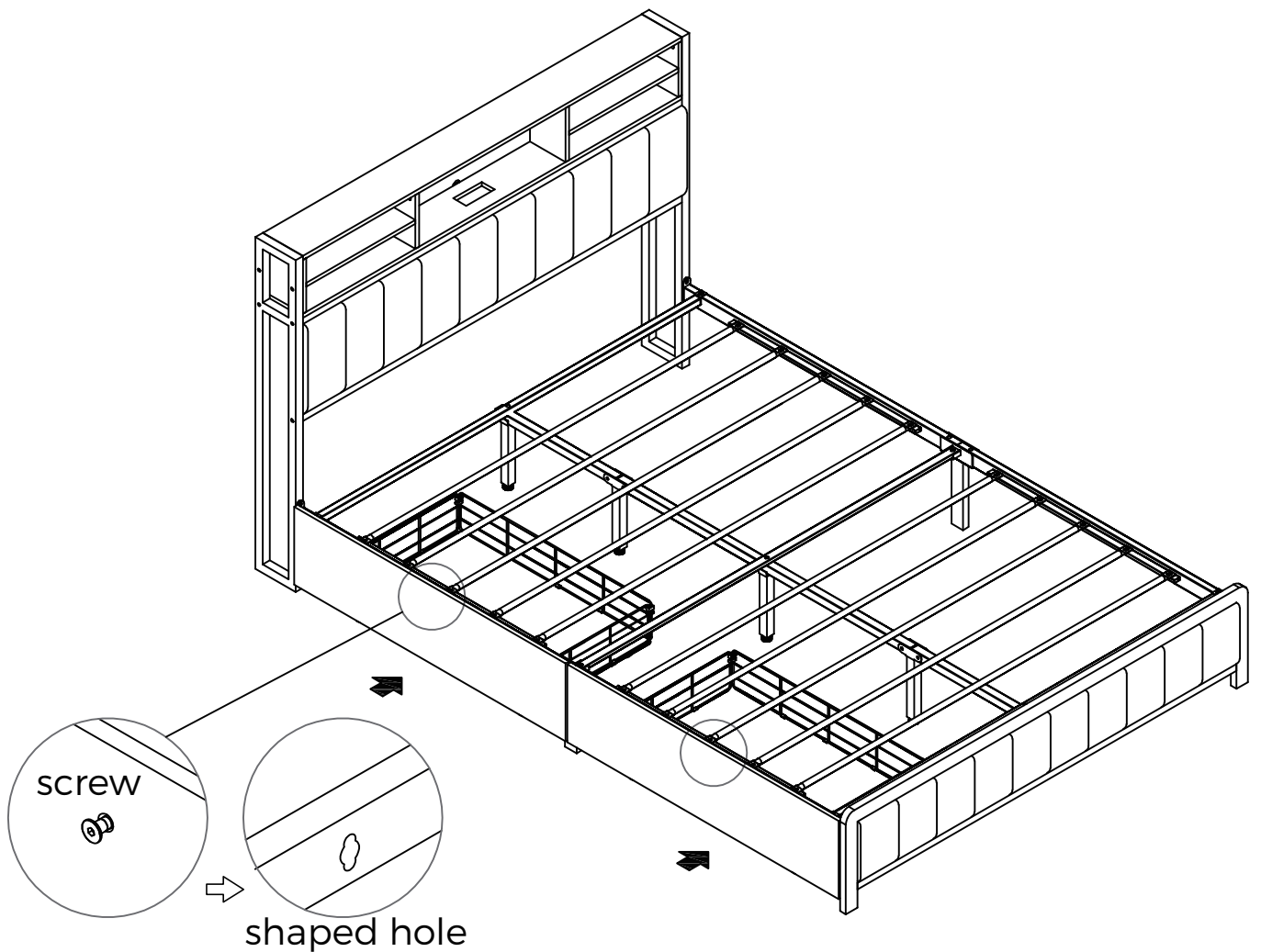
drawer

Perform this step for all the drawer pads Part 38.

### ATTENTION

When pushing the drawer in, lift it up slightly and align the screw with the shaped hole as shown and then gently push the drawer in.

When pulling the drawer out, lift it slightly, align the screw with the shaped hole and gently pull the drawer out.



**Well done!**

**Love our furniture?  
Share it!**

Tag us on instagram or facebook  
@KampradsOikos1943

**ikiture**