

# ASSEMBLY INSTRUCTIONS

Please read all instructions carefully before assembly.

## WAREHOUSE RACK

Model : WR-A1-S3

Version 1.0

### ATTENTION

- This storage rack is intended for indoor use only. Do not use this product other than what it is intended for or modify/alter any part of it. Otherwise, it may result in personal injury or damage to the product.
- The product must be strictly assembled and used in accordance with the provisions of this manual. Please check to ensure all parts are accounted for after unpacking. Please inform our Customer Service immediately if there are parts missing or damaged.
- It recommended that the product be assembled by two competent adults. Please wear gloves when assembling the product to prevent any injury.
- Place the product on a flat and hard surface to ensure its stability.
- Do not attempt to shake the product after assembling.
- The rack should be placed against and attached to a wall. Please use only wall plugs and screws that are suitable for the type of wall. If unsure, consult your local hardware dealer for advice.
- Please keep away from water and electrical pipes when drilling into walls.
- The load on the shelves must be evenly distributed so that no harm can come to the shelves. Never exceed the maximum shelf load of the product.
- Do not place this rack in a room with high humidity to avoid damage to the MDF board shelves.
- Please wipe with a wet cloth and then use a dry cloth to remove all moisture during cleaning.

### WARNING

- Do not climb or step on the rack.
- Serious or critical damage may be caused if the product tips over.
- This rack is not intended for children use. It is prohibited to let children climb or play with the rack to avoid any serious mishaps caused by any rack tip-over.
- Do not alter components or abandon the use of some components since such action will greatly affect the function of the product.
- To avoid the potential danger of suffocation, dispose of all packaging responsibly and keep it away from children.

## Parts and Hardware

**A**

5pcs  
Shelf



**B**

8pcs  
Support frame



**C**

10pcs  
Long frame brace



**D**

10pcs  
Short frame brace



**E**

4pcs  
Connector



**F**

10pcs  
Centre frame brace



**G**

8pcs  
End cover



**H**

2pcs  
Screw

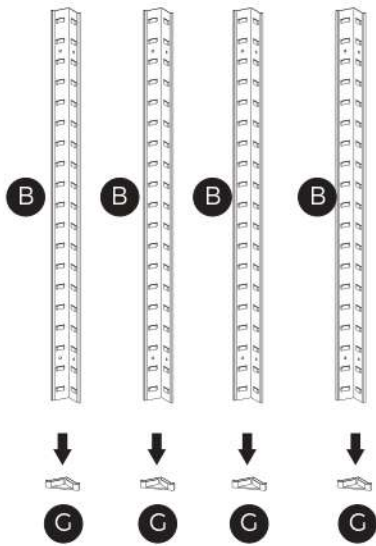


**I**

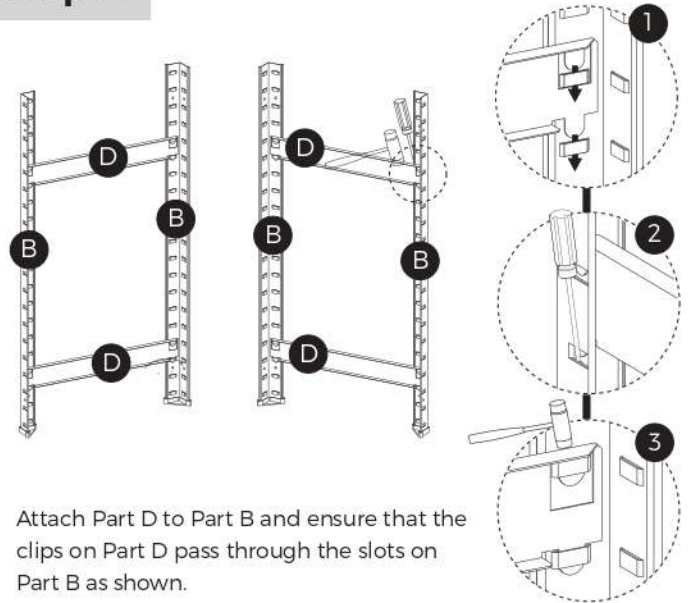
2pcs  
Screw plug



### Step 1

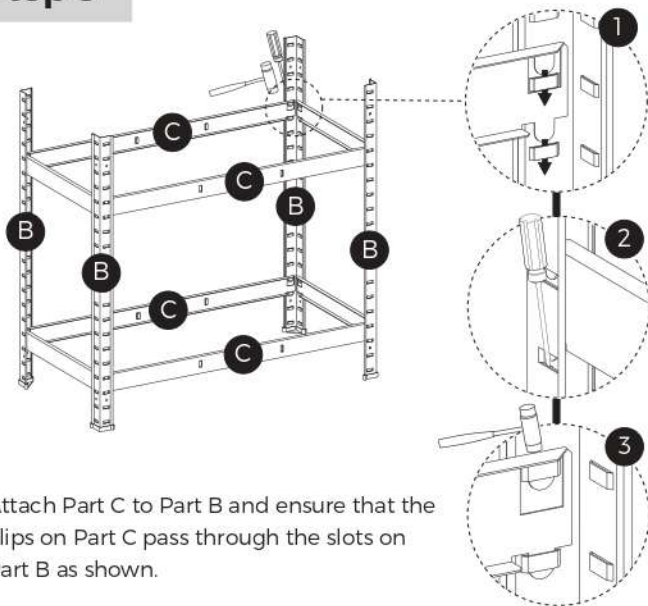


### Step 2



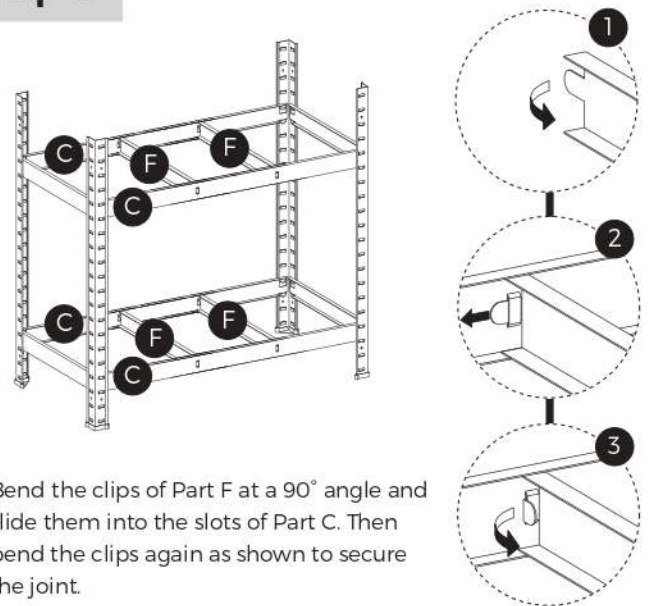
Attach Part D to Part B and ensure that the clips on Part D pass through the slots on Part B as shown.

### Step 3



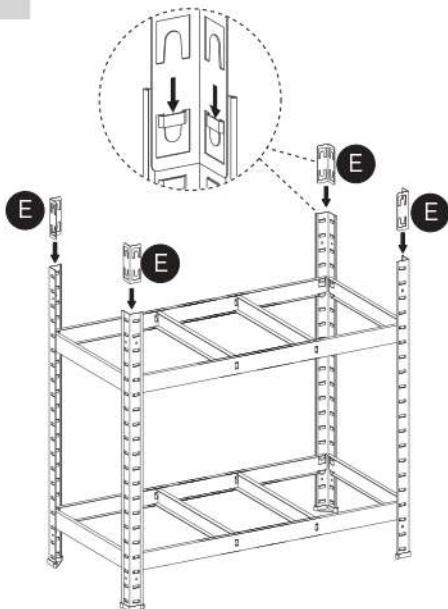
Attach Part C to Part B and ensure that the clips on Part C pass through the slots on Part B as shown.

### Step 4

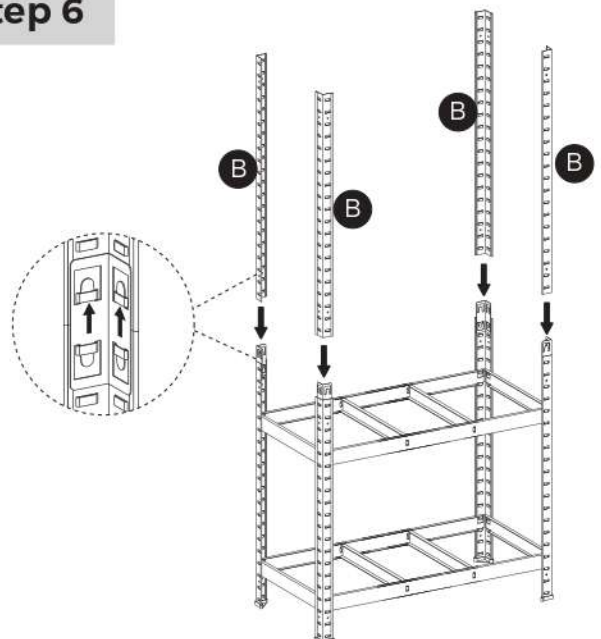


Bend the clips of Part F at a 90° angle and slide them into the slots of Part C. Then bend the clips again as shown to secure the joint.

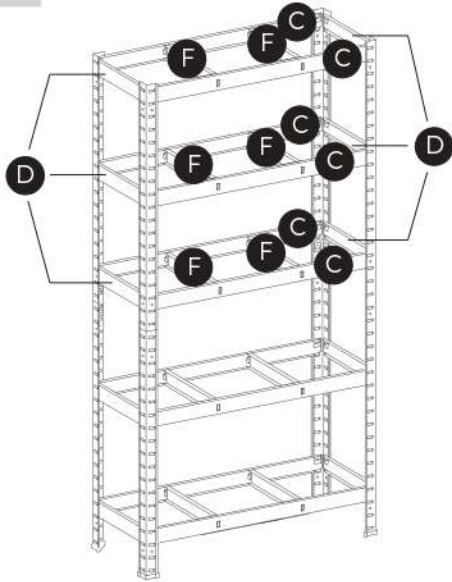
### Step 5



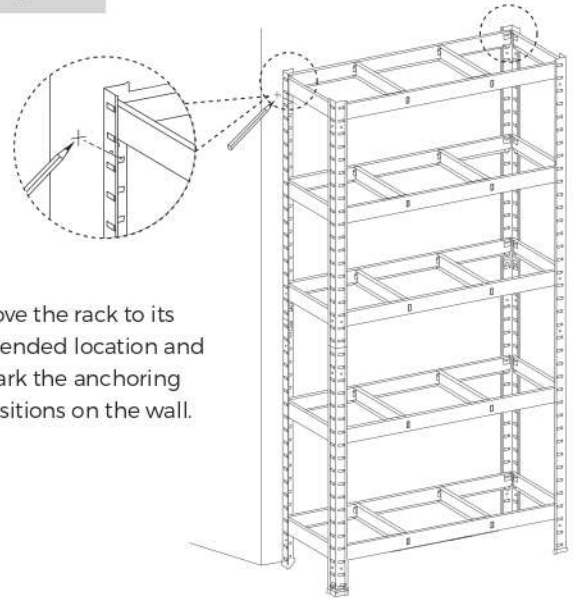
### Step 6



### Step 7



### Step 8



Move the rack to its intended location and mark the anchoring positions on the wall.

### Step 9

Part I  
2pcs



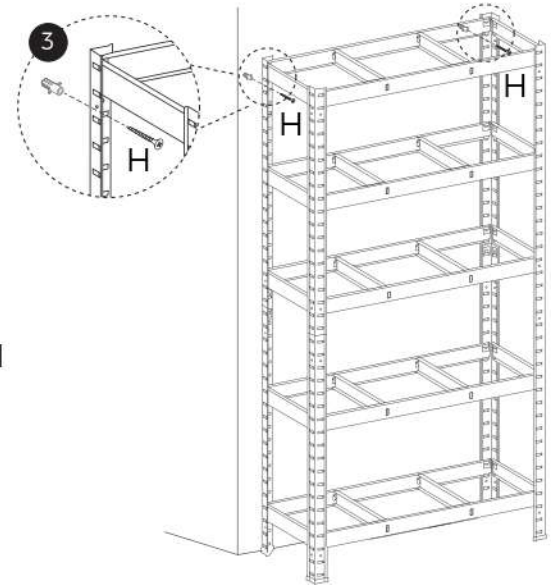
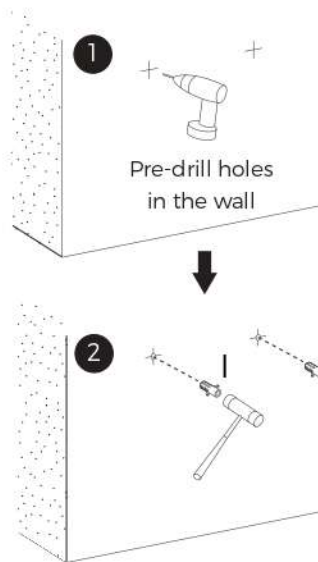
Part H  
2pcs



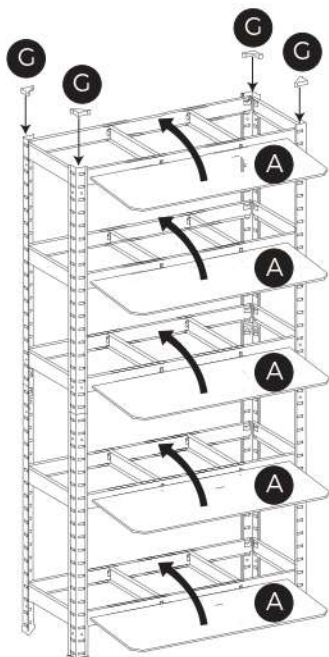
#### ! WARNING

It is very important to secure this furniture with an anchoring device for your safety in use.

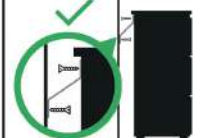
After assembly of the rack, anchor it to a wall with the supplied hardware to prevent any accidental tip-over.



### Step 10



#### ! WARNING



**Children have died from furniture tipover.**

- ALWAYS secure this furniture with an anchor device.
- NEVER allow children to stand, climb or hang on drawers, doors, or shelves.
- NEVER open more than one drawer at a time.
- Place heavy items down low.

NEVER put a TV on this furniture

