

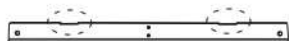
ASSEMBLY INSTRUCTIONS

Please read all instructions carefully before assembly.

SHOE RACK BENCH

Model : SS-BN-BM-70/90

Parts and Hardware



A 1pc
Rear support beam



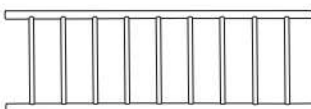
B 1pc
Front support beam



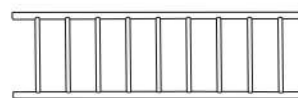
C 1pc
Bench cushion



D 1pc
Bench base board



E 1pc
Lower rack



F 1pc
Upper rack



G 2pcs
Leg Frame



(For 90cm model only)

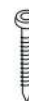
H 1pc
Bench support brace



I 2pcs
Hinge



K 1pc
Hinge lift



L 16pcs
Large screw



M 12pcs
Small screw



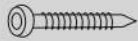
N 1pc
Allen key

NOTE

1. Beware of burrs and sharp edges of the panels. Wear gloves if necessary.
2. A screwdriver (not included) is required for the assembly process.
3. Do not fully tighten the screws until all of them are aligned properly with the holes.

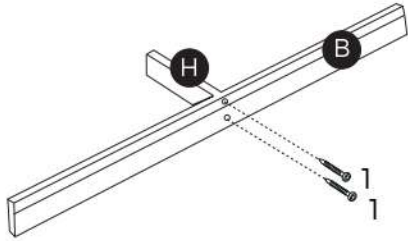
Step 1

Part 1
2 pcs



90CM MODEL ONLY

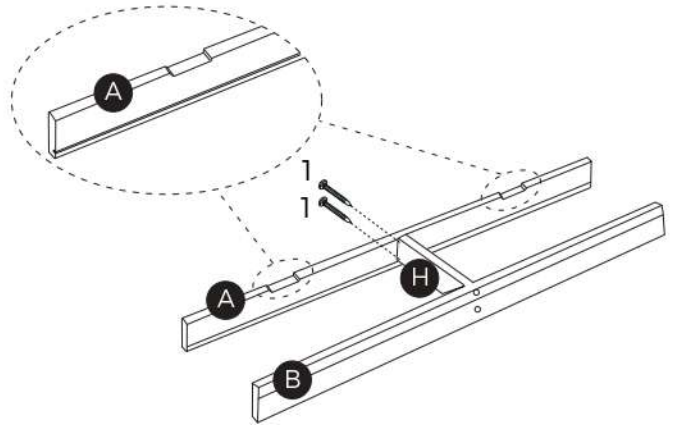
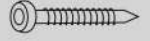
Installation of Part H in Steps 1 and 2 is for the 90cm model only.



Attach Part H (Bench support brace) to Part B (Front support beam) with screws 1.

Step 2

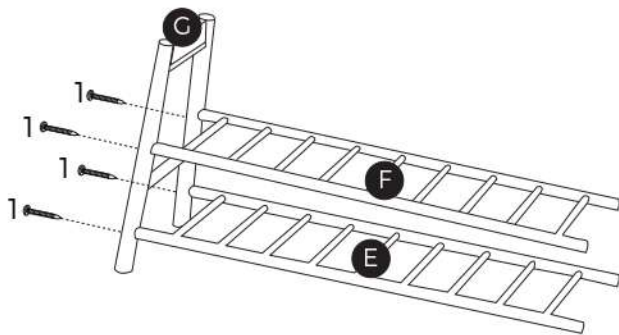
Part 1
2 pcs



Attach Part H (Bench support brace) to Part A (Rear support beam) with screws 1.

Step 3

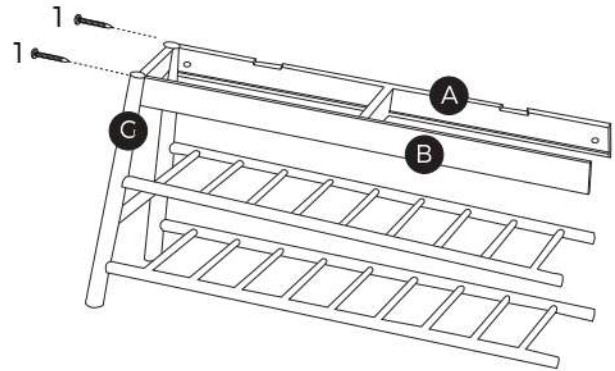
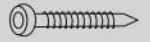
Part 1
4 pcs



Attach Part E (Lower rack) and Part F (Upper rack) to Part C (Leg Frame) with screws 1.

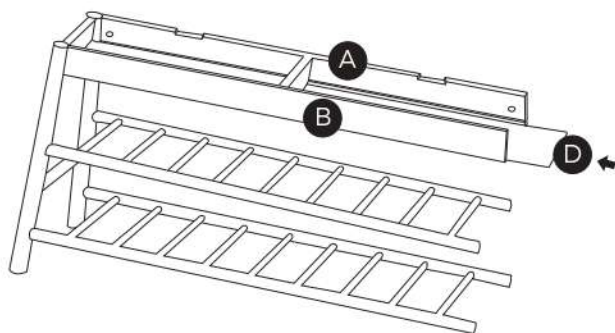
Step 4

Part 1
2 pcs



Attach Part A (Rear support beam) and Part B (Front support beam) to Part C (Leg Frame) with screws 1.

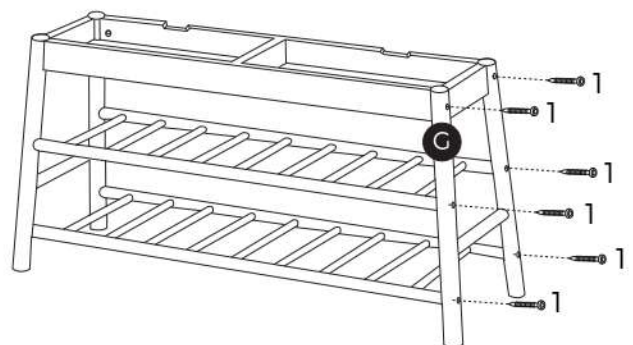
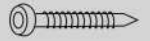
Step 5



Insert Part D (Bench base board) between Part A (Rear support beam) and Part B (Front support beam).

Step 6

Part 1
6 pcs

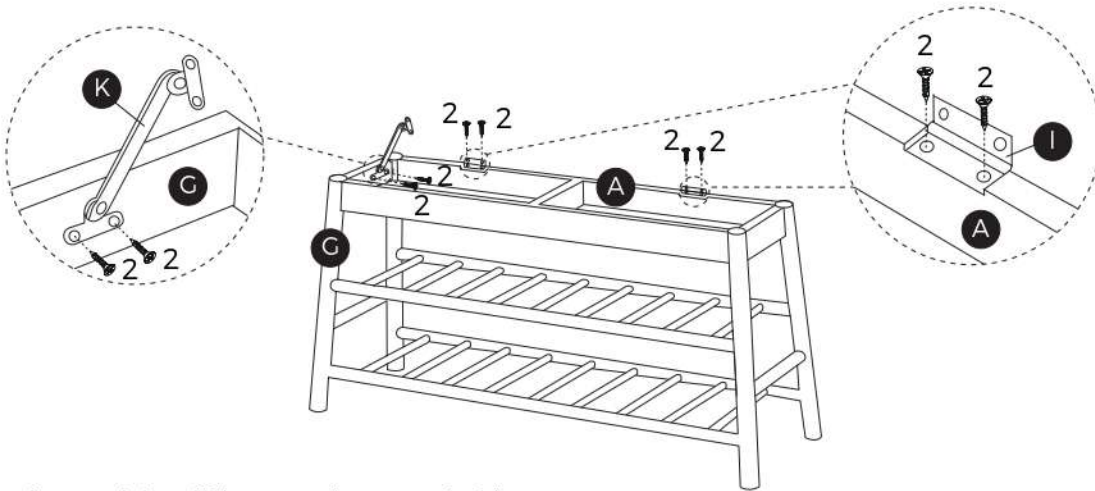


Secure Part C (Leg Frame) to the unit with screws 1.

Step 7

Part 2

6pcs

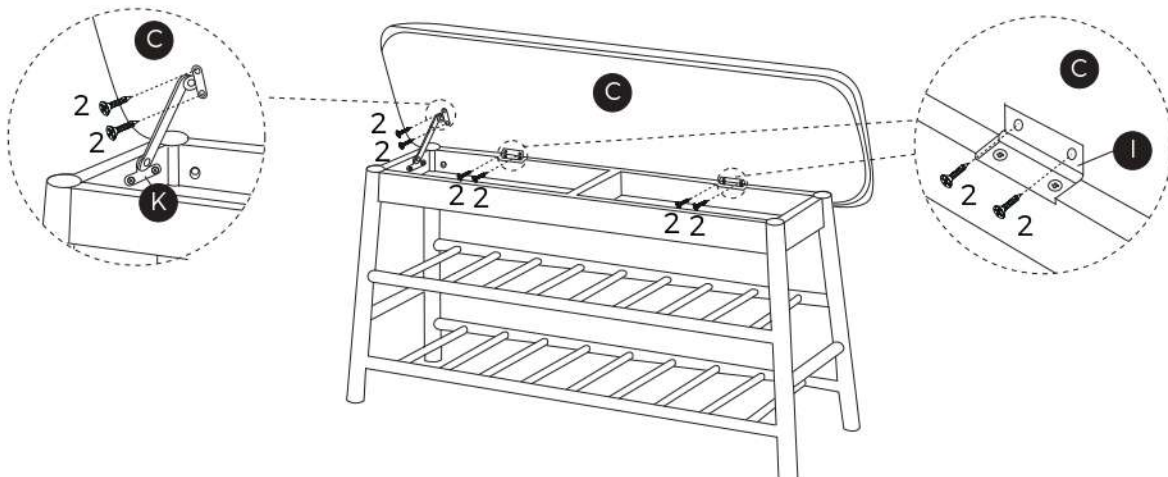


Attach Part K (Hinge lift) to Part G (Leg Frame) with screws 2.
Then attach Part I (Hinge) to Part A (Rear support beam) with screws 2.

Step 8

Part 2

6pcs



Attach Part C (Bench cushion) to Part K (Hinge lift) with screws 2 and then to Part I (Hinge) with screws 2.

ATTENTION

• **Notice:**

Recommended weight capacity: **100kg**

Assembly must be done by adults. Do not jump on the shoe storage bench as it may cause body injury and damage to the product.

• **Caution:**

Do not place the bamboo product in extremely dry or humid environments. Bamboo is prone to cracking in moisture content under 6% or above 16%.