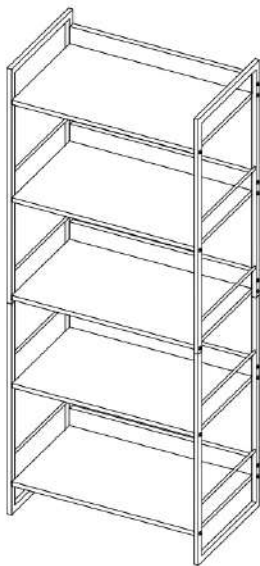


DISPLAY SHELF

MODEL:DS-MAN-BKWD











ASSEMBLY INSTRUCTIONS

Please read instructions carefully before assembly.



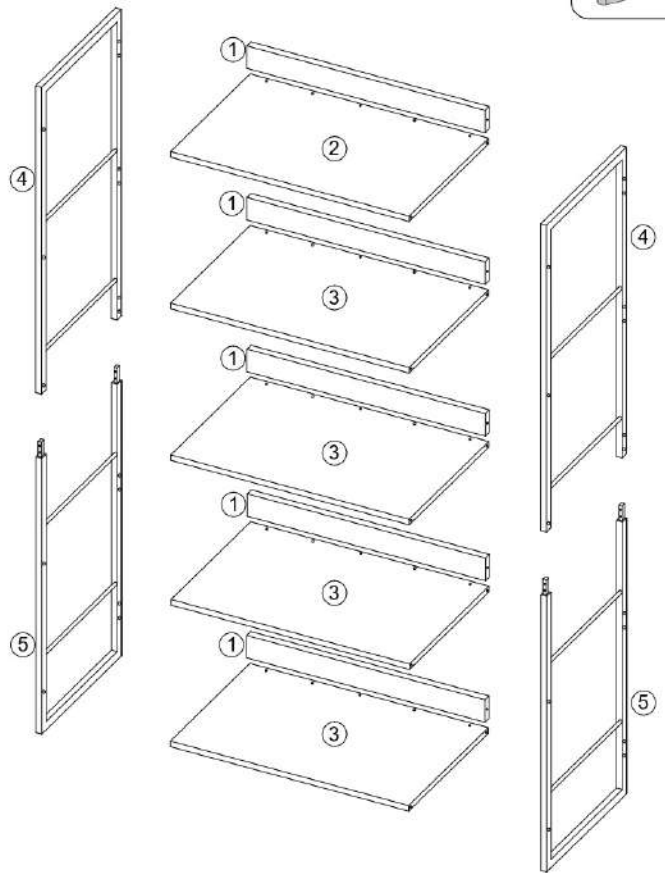
Two persons and tools required for assembly

HARDWARE

A	x30	B	x8	C	x10	D	x15	E	x2	F	x2
											
M4x40mm		M6x12mm		Ø6x30mm		M4x40mm				M4x30mm	
G	x2	H	x2								
											
M4x14mm											

PARTS

Wipe with dry cloths



Secure it!

Preventing furniture tip-over accidents



WARNING: ENSURE THE WALL STRAP IS ATTACHED TO AVOID SERIOUS INJURY.

To avoid any serious or fatal injury, this product has been supplied with a wall strap to prevent toppling. We strongly recommend that this product is permanently fixed to the wall or other suitable surface. Connecting attachments for your wall are not included since different surface materials require different attachments. Please seek professional advice if you are in doubt of what wall connections to use.

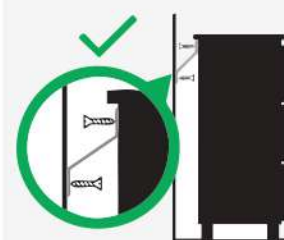
Recommended weight capacity: 10kg/Drawer

⚠ WARNING

Children have died from furniture tipover.

- ALWAYS secure this furniture with an anchor device.
- NEVER allow children to stand, climb or hang on drawers, doors, or shelves.
- NEVER open more than one drawer at a time.
- Place heavy items down low.

NEVER put a TV on this furniture

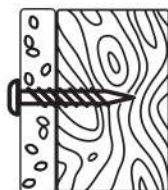


Wall anchoring guide



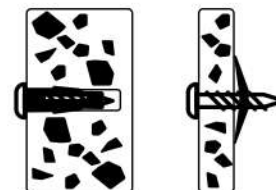
For plasterboard
(with available wood stud)

Securing method:
Self drilling plasterboard anchor.



For plasterboard
(with available wood stud)

Securing method:
Screw inserted directly into stud.

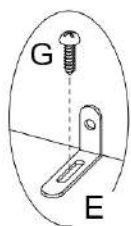
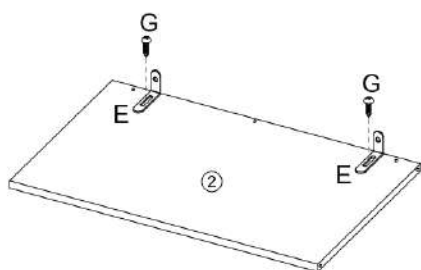




For masonry wall

Securing method:
Solid wall: Plug with screw
Hollow wall: Spring toggle

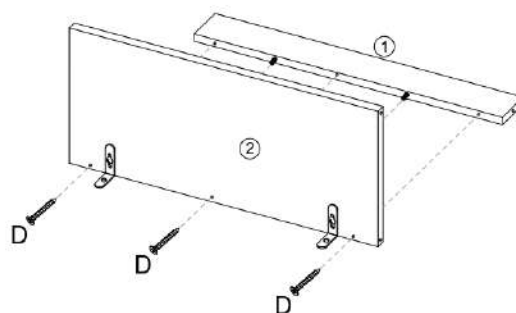
Please seek professional advice if you are in doubt of what fixing device to use.

1



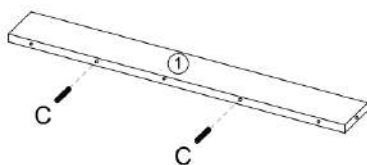
G	x2	E	x2
			
M4x14mm			

3



D	x3
	
M4x40mm	

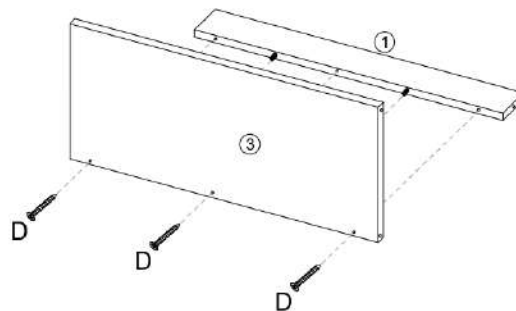
2



x5

C	x10
	
Ø6x30mm	

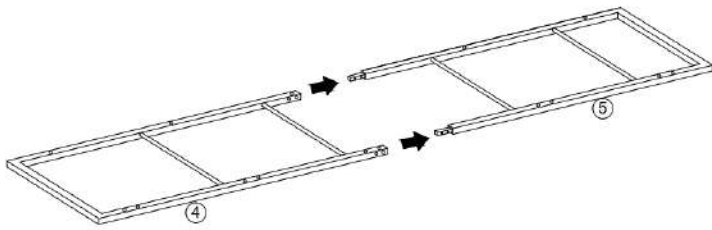
4



x4

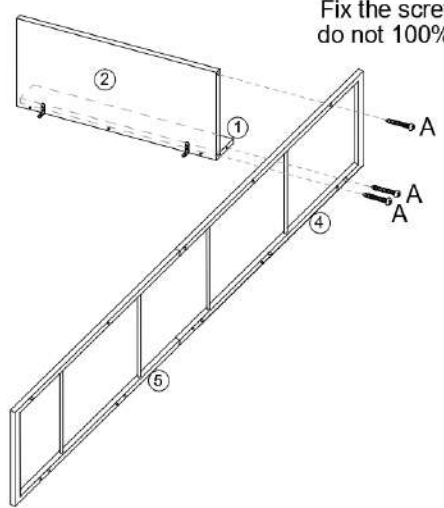
D	x12
	
M4x40mm	

5



x2

7



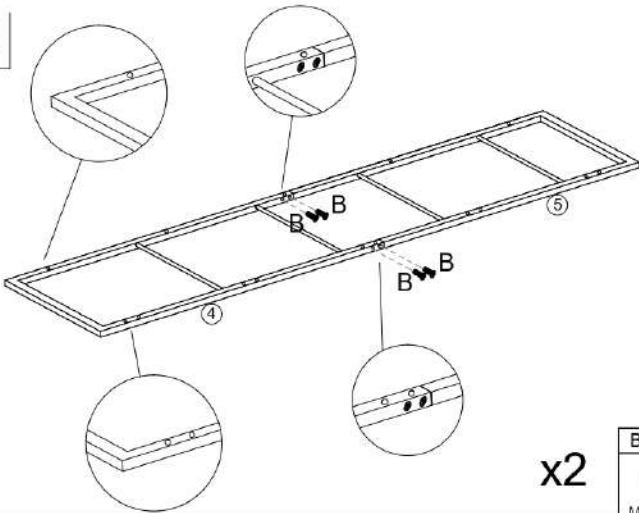
Fix the screws in 80%, do not 100% tighten the screws

A	x3
---	----



M4x40mm

6



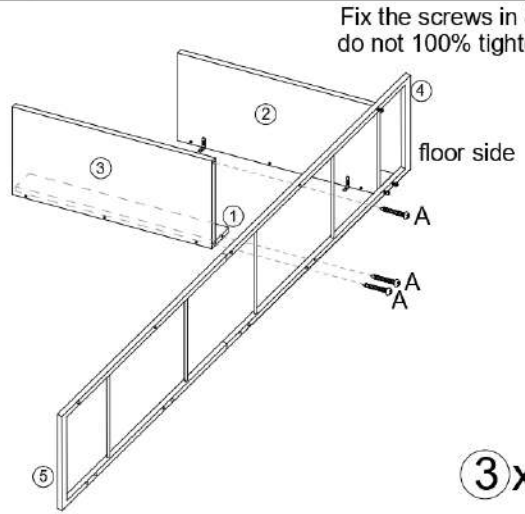
x2

B	x8
---	----



M6x12mm

8



Fix the screws in 80%, do not 100% tighten the screws

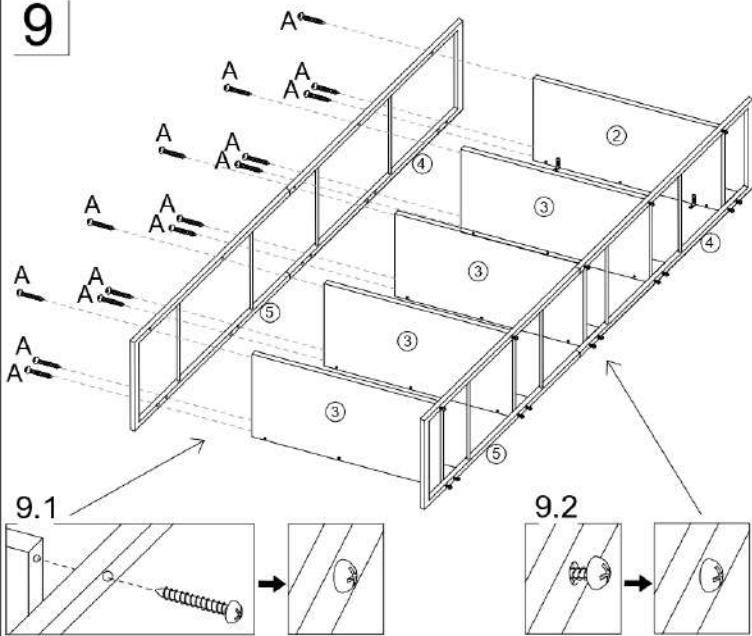
3 x4

A	x12
---	-----



M4x40mm

9



Have Your attention

- (1) Do not tighten the screws until making sure all the screws are lining up with the holes, otherwise some screws may not line up with the holes.
- (2) If this situation occurs during assembly, please loosen the screws which have been tightened, make sure all the screws line up with all the holes, tighten a little and then tighten them in diagonal way again.
- (3) If the product is uneven after installation, please loosen the screws, put strength on the frame, make sure both 2 sides are in the same level and then go on assembling it.



10

Pre-drilled hole at wall

