

OPS-OBLU-TB70-GY

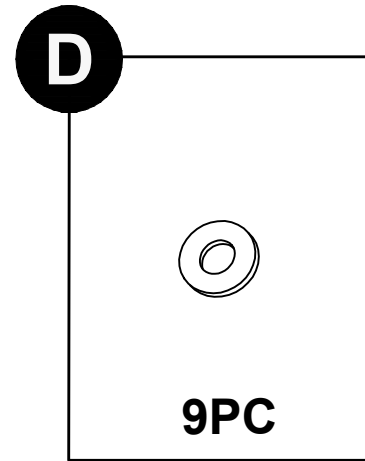
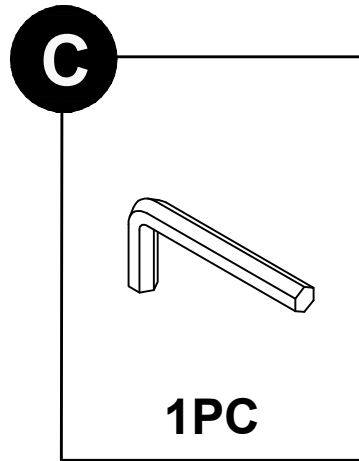
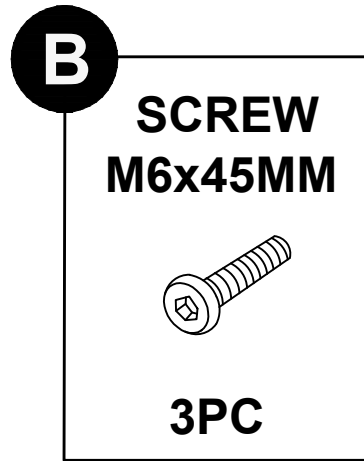
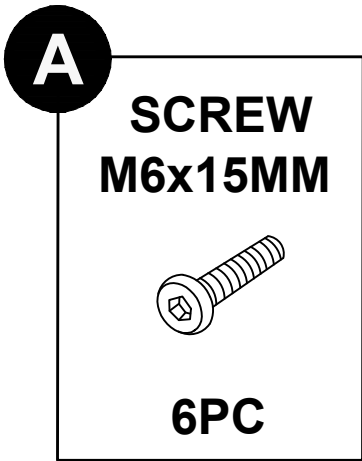
CAUTION

Don't let the product fully expose under the Sun or in rain in long time. The tempered glass might explode and the cushion cover will losing the water resistant under prolonged sunshine and raining.

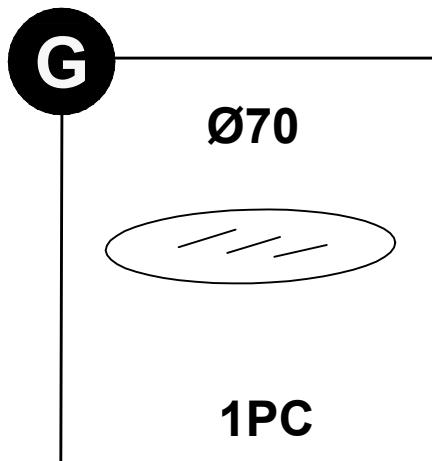
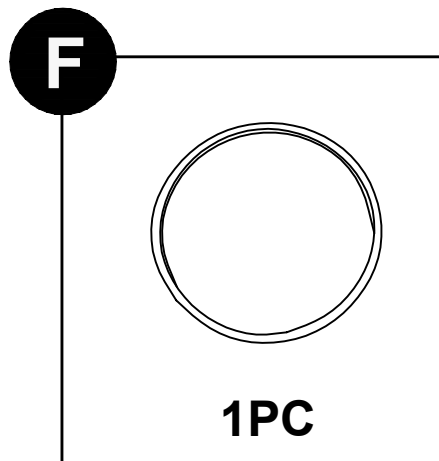
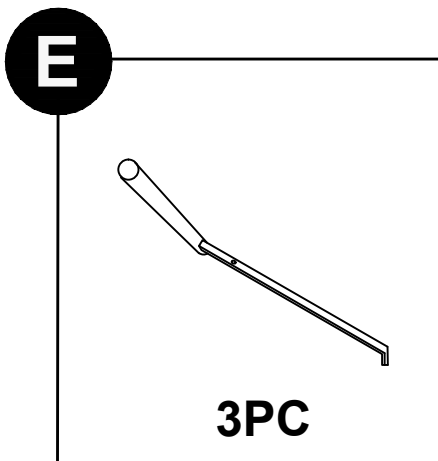
TROUBLESHOOTING GUIDE

PROBLEM	SOLUTION
The holes of some parts do not align with each other.	<ul style="list-style-type: none">• Check that you have the right part for the connection and that the part is in the correct position and orientation• Always dry fit the parts before connecting them with screws to ensure that you have the correct part for assembly• Loosen the screws to re-align the connections before tightening them.
The product stands uneven and the legs are not touching the ground uniformly.	<ul style="list-style-type: none">• Loosen some screws, apply some pressure on the product to ensure that all legs are in contact with the ground and then tighten the screws diagonally.
There are missing parts! in the package.	<ul style="list-style-type: none">• Please contact our Customer Service for assistance.

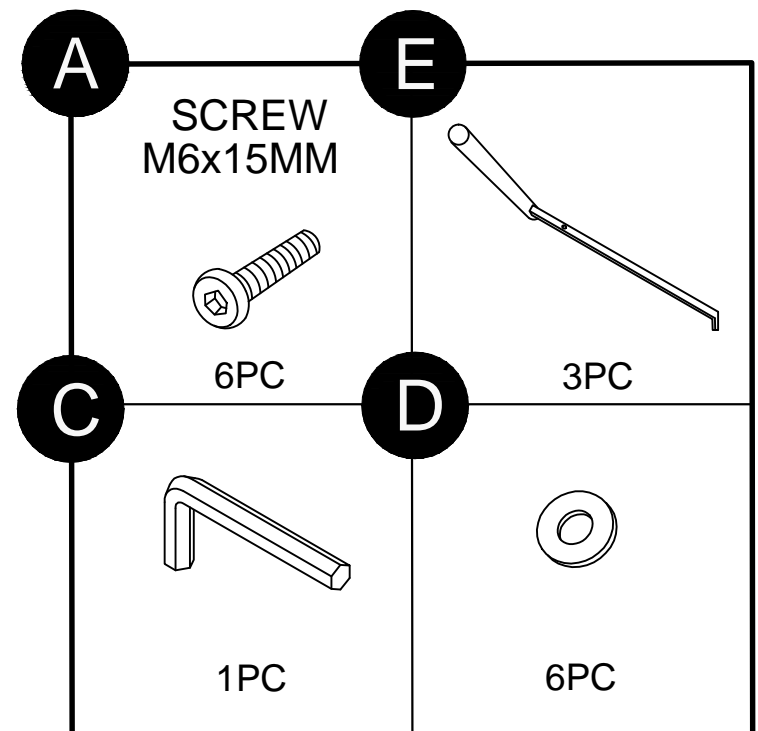
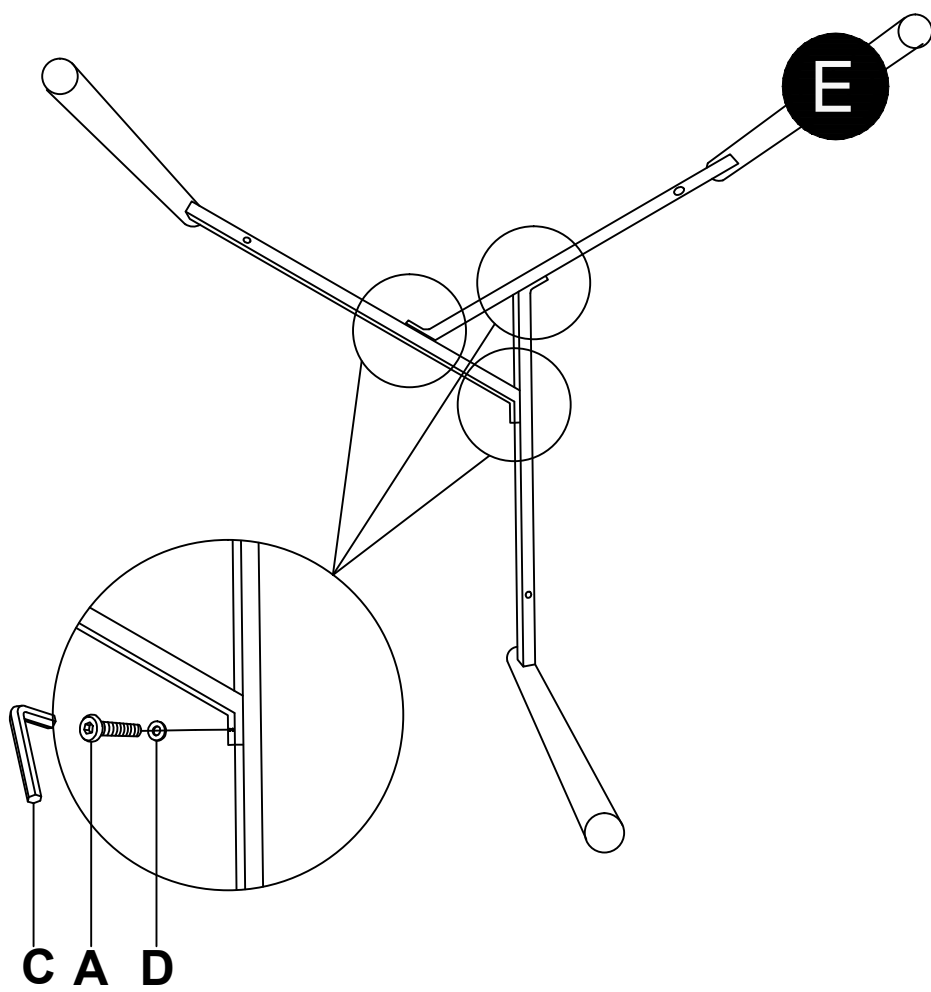
PARTS



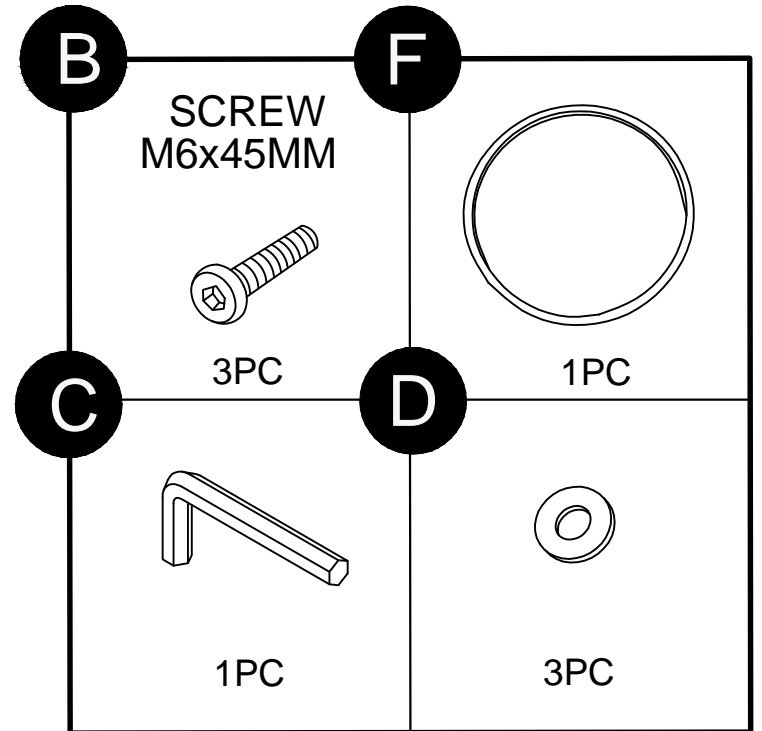
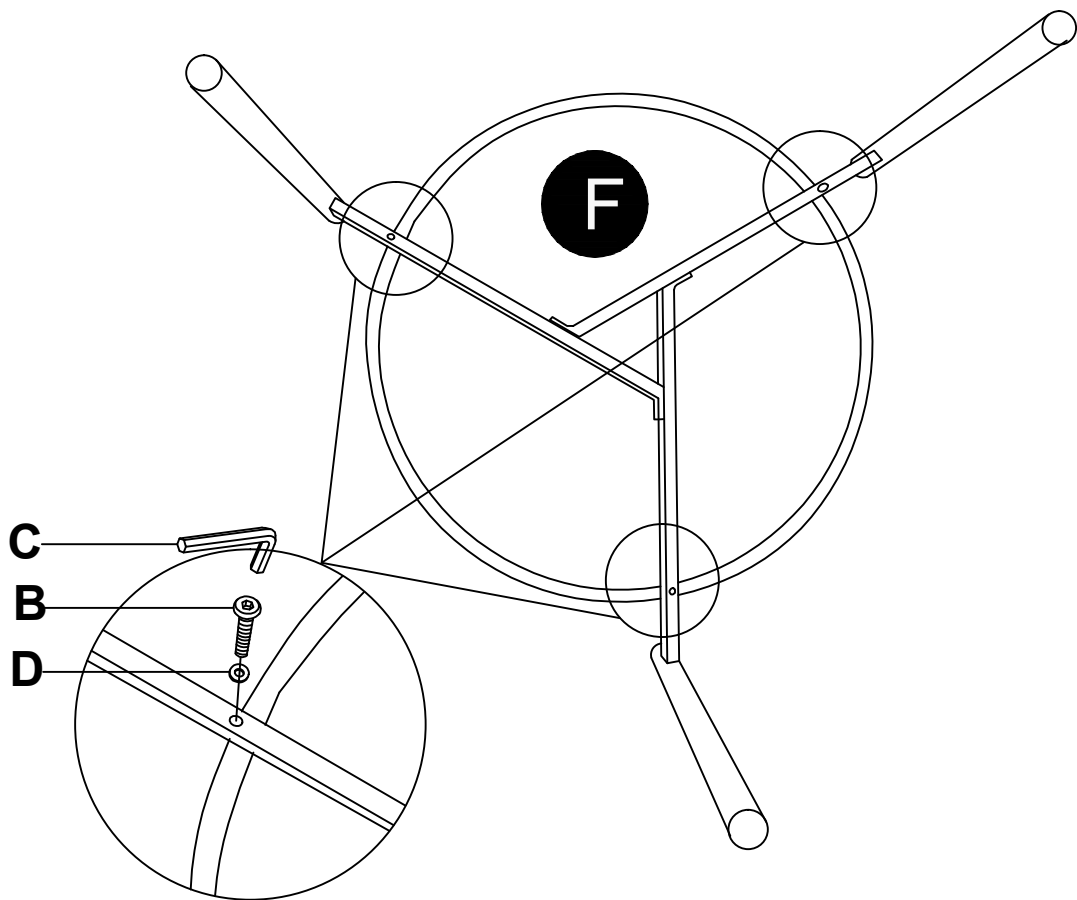
HARDWARE



Step 1



Step 2



Step 3

