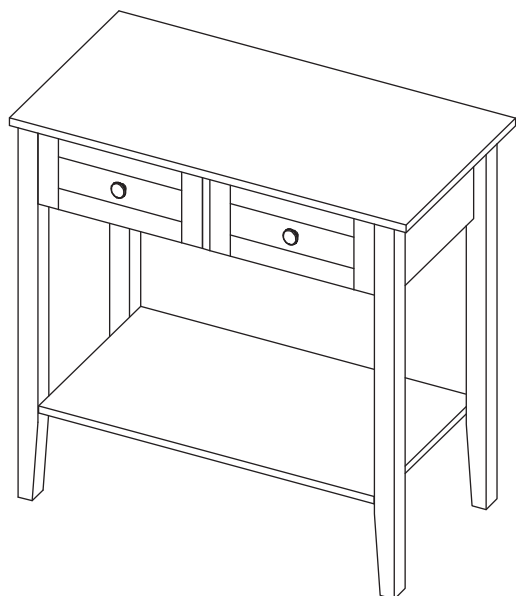


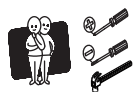
# CONSOLE TABLE

MODEL:CST-A28-WHWD



## ASSEMBLY INSTRUCTIONS

Please read instructions carefully before assembly.



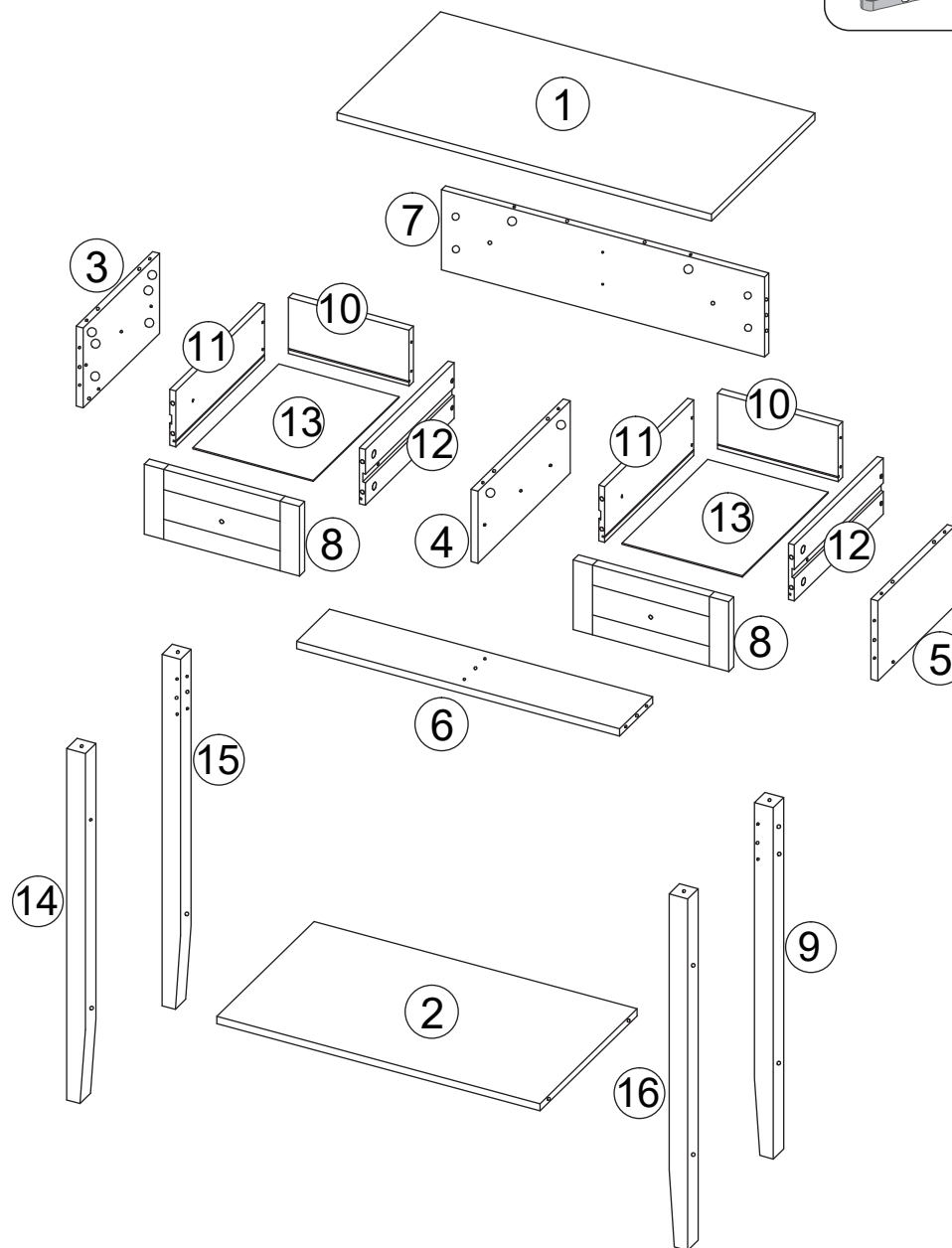
Two persons and tools required for assembly

## HARDWARE

A	x24	B	x16	C	x21	D	x14	E	x2	F	x2
7x35mm		15x12mm		Ø6x30mm		M4x40mm		12x12mm		M4x30mm	
G	x2	H	x2	I	x6	J	x2	K	x4	L	x12
				M4x10mm						M3x12mm	
M	x4	N	x10	O	x10	P	x8	Q	x8	R	x10
		M6x80mm				12x10mm		M3x14mm		17x17mm	

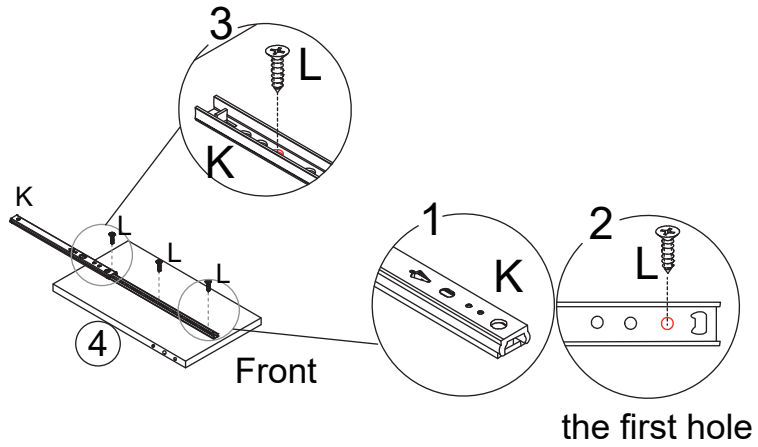
## PARTS

Wipe with dry cloths

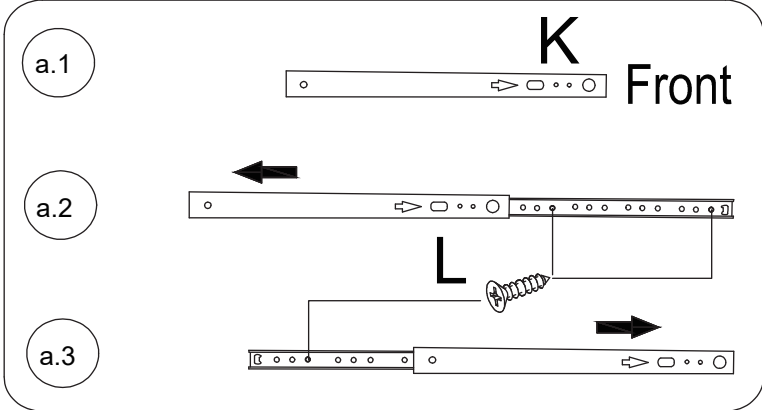
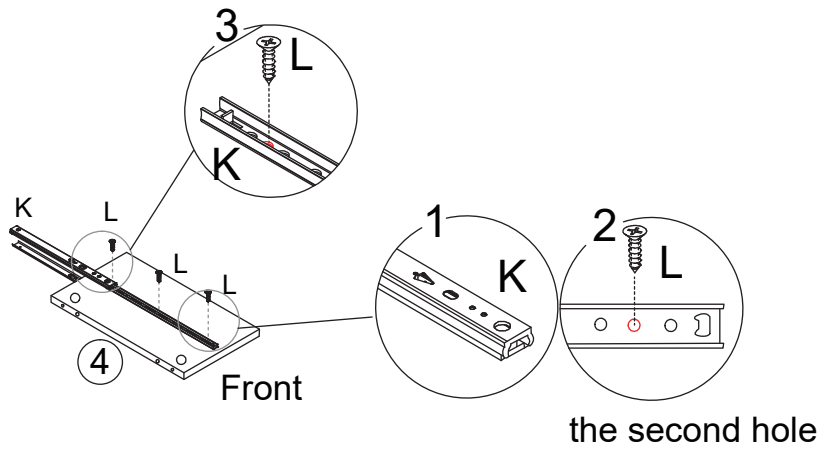




4

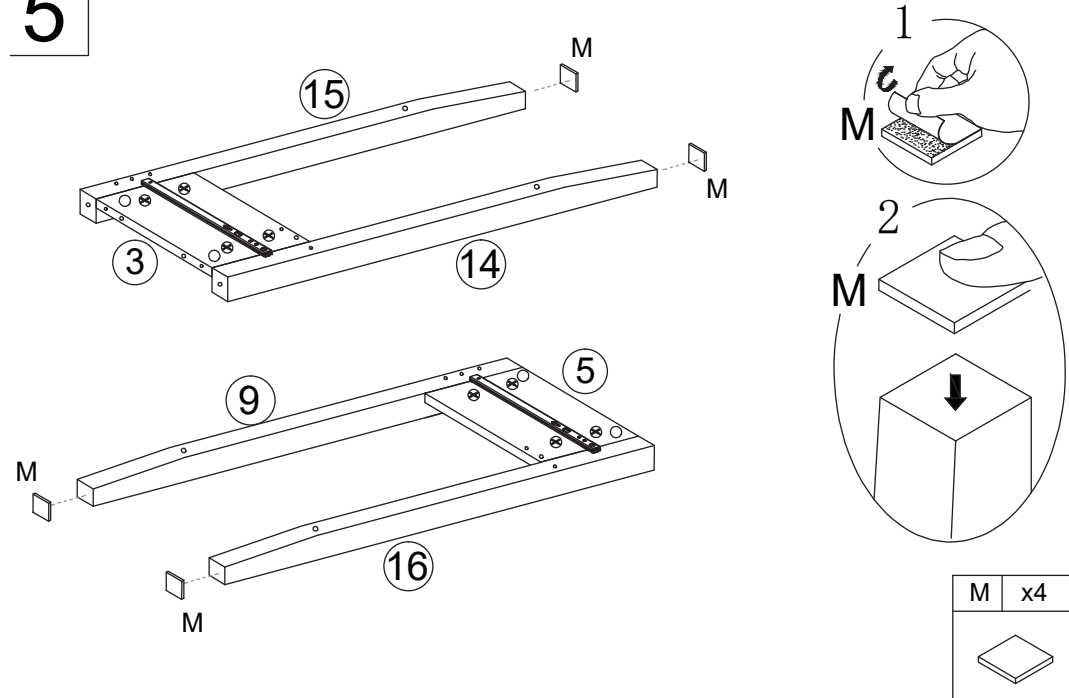


180°

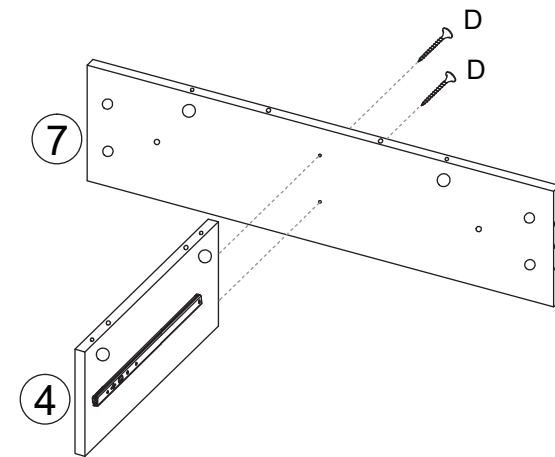


K	x2	L	x6
		M3x12mm	

5

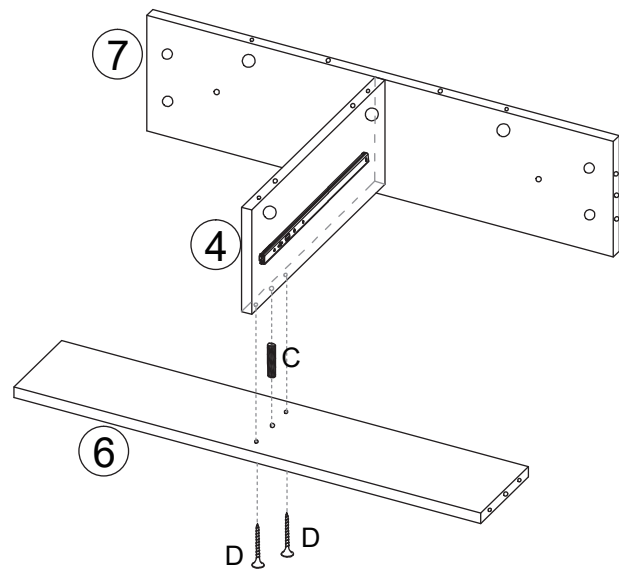


6



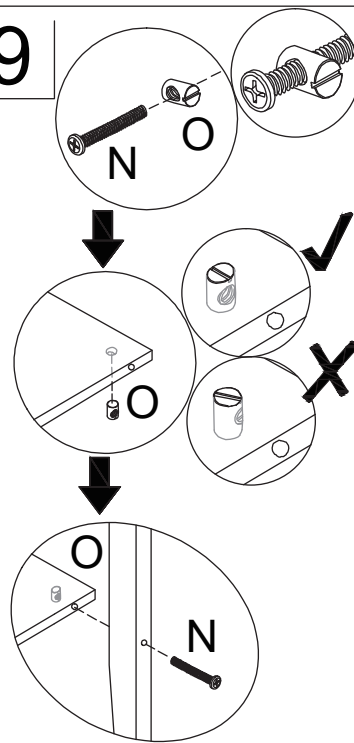
D	x2
M4x40mm	

7

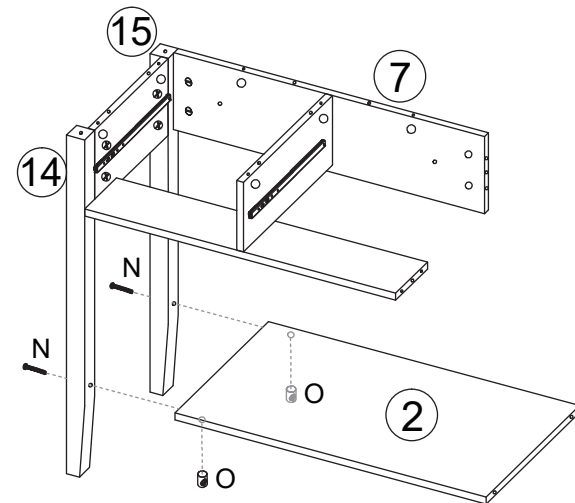


C	x1	D	x2
Ø6x30mm		M4x40mm	

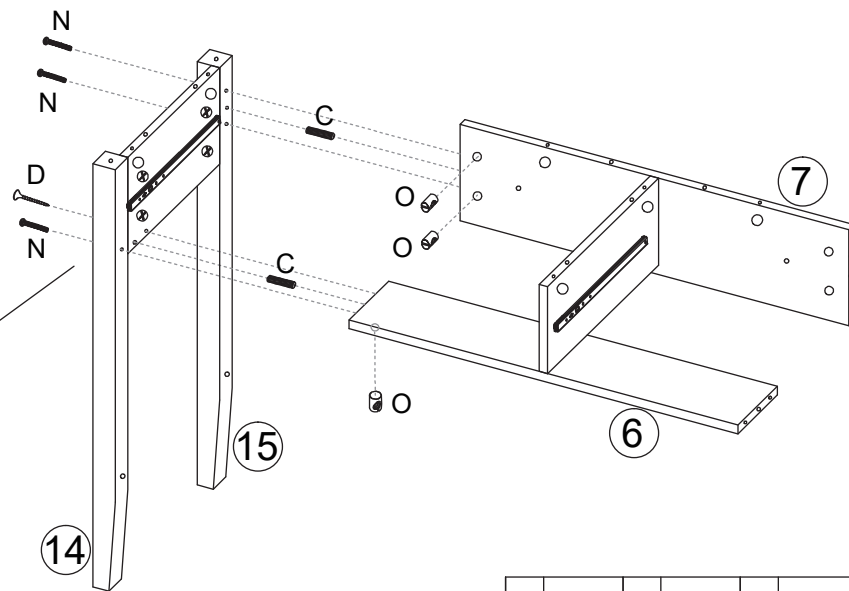
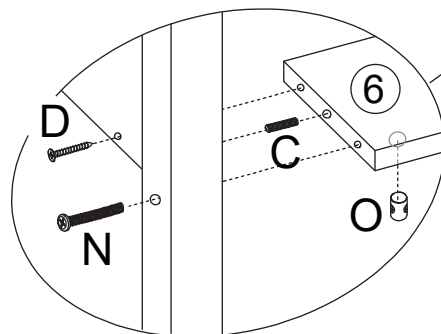
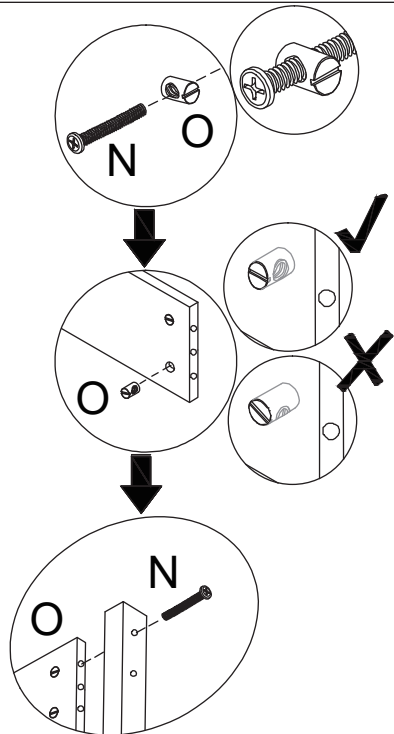
9



O	x2	N	x2
		M6x80mm	

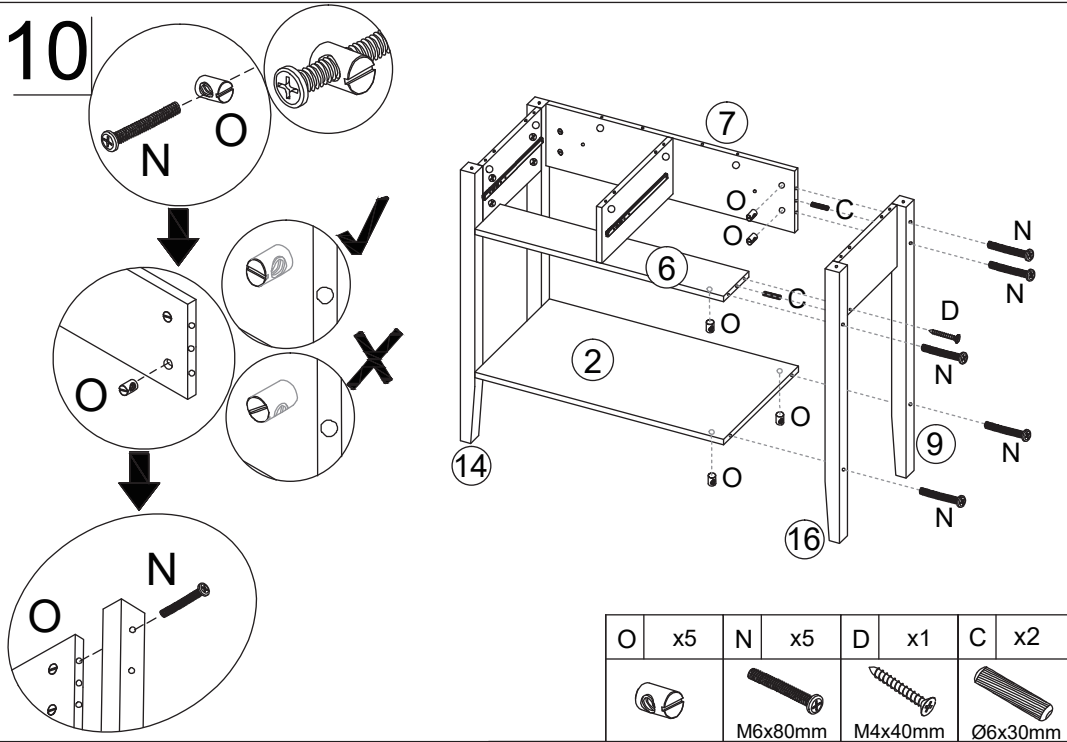


8

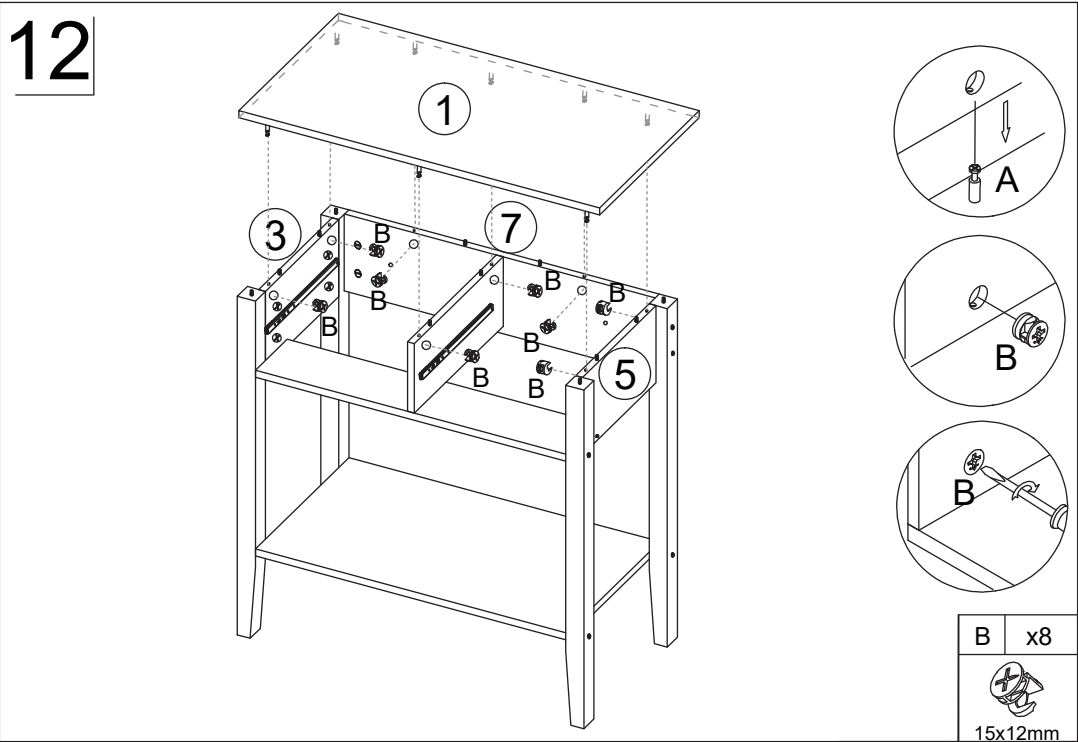


O	x3	N	x3	D	x1	C	x2
		M6x80mm		M4x40mm		Ø6x30mm	

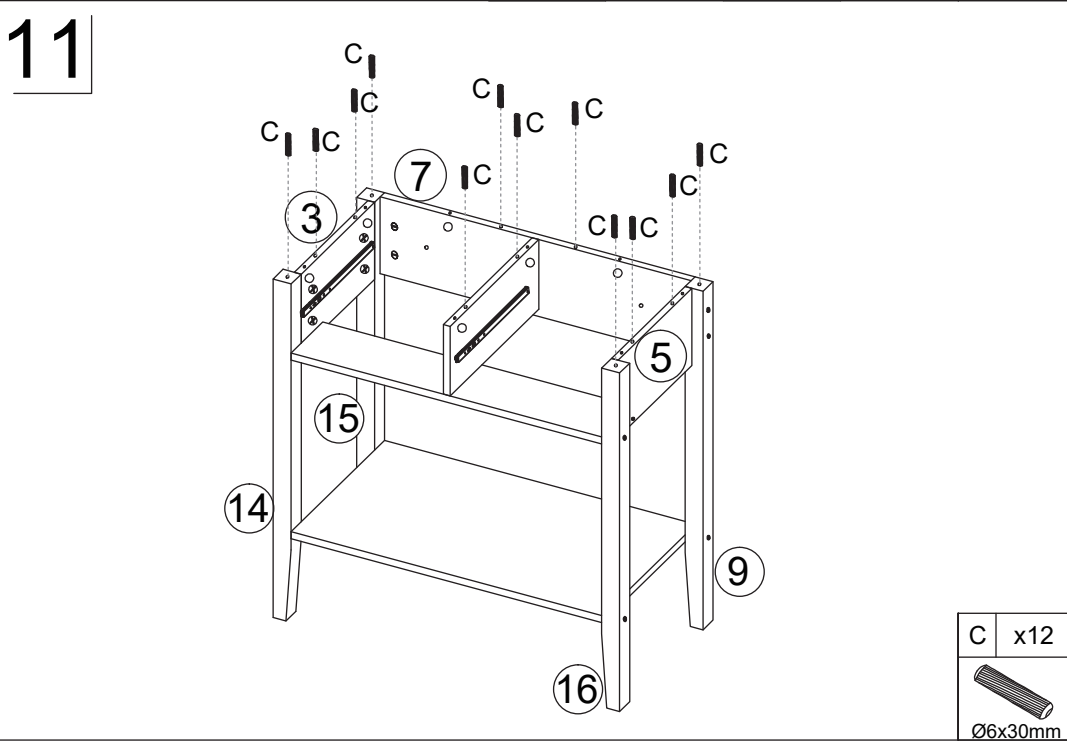
10



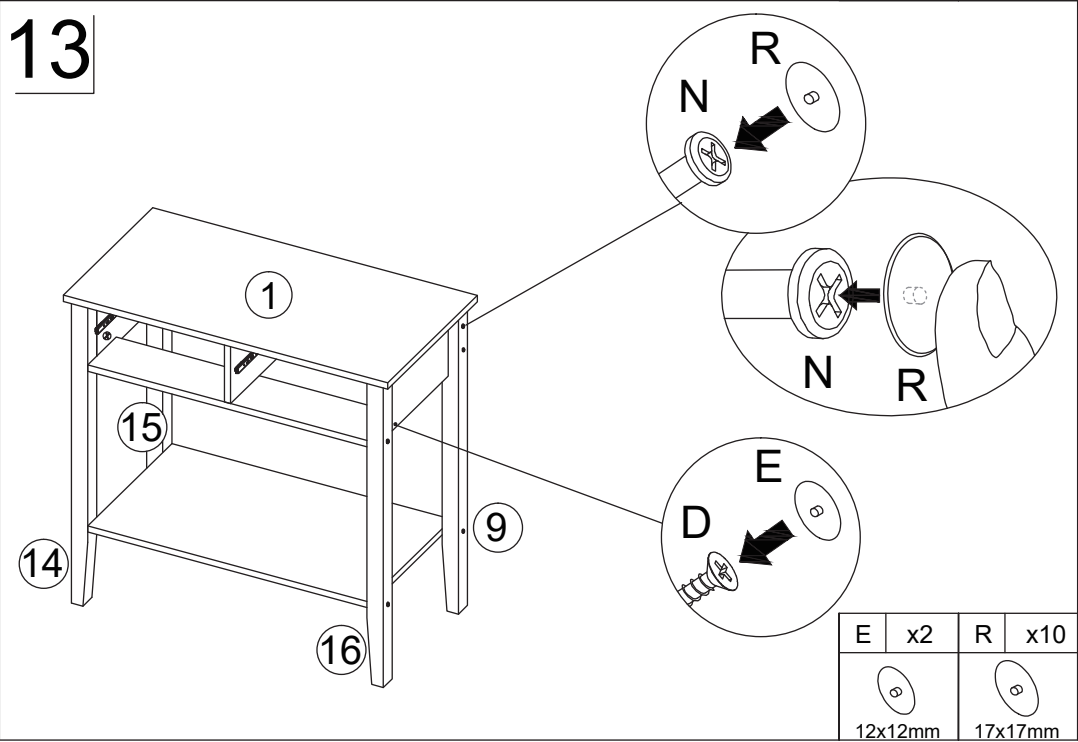
12



11

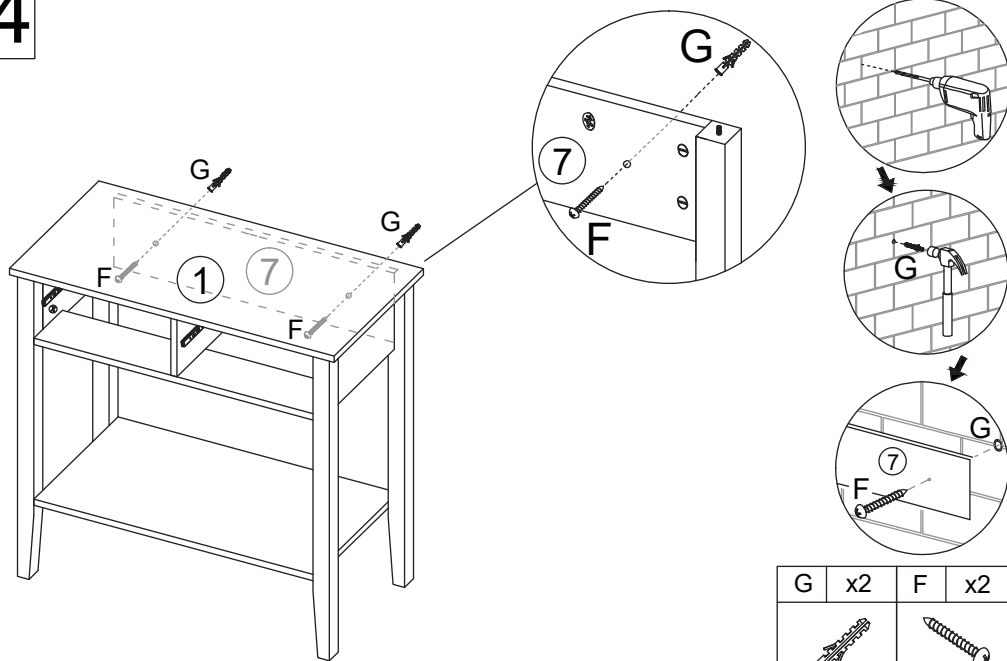




13



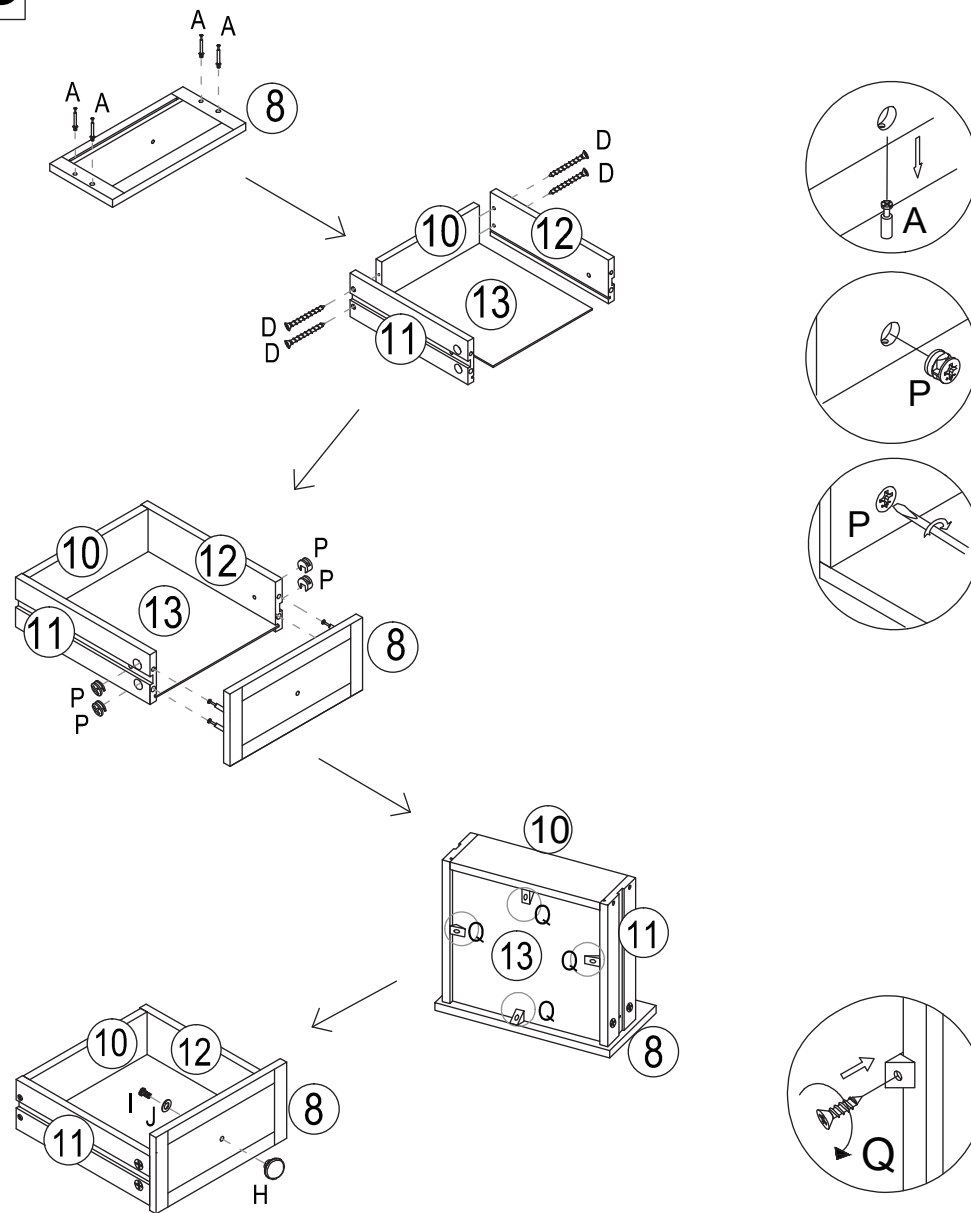
# 14







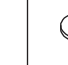
Pre-drilled hole at wall



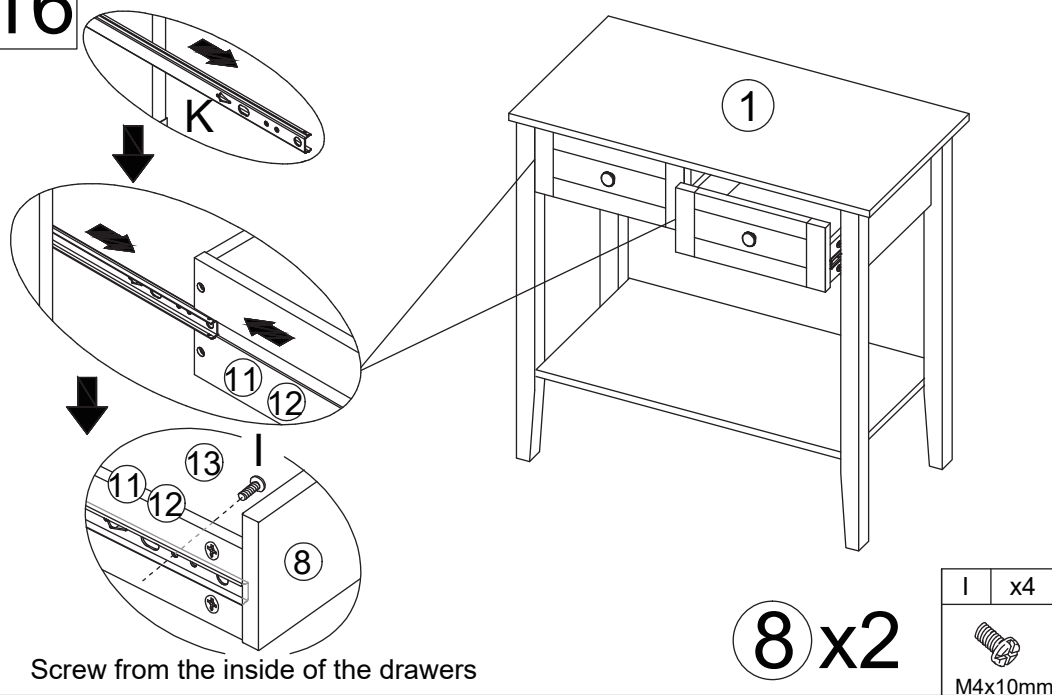
G	x2	F	x2
			
M4x30mm			

# 15



P	x8	A	x8	D	x8	Q	x8	I	x2	H	x2	J	x2
													
x2													
12x10mm    7x35mm    M4x40mm    M3x14mm    M4x10mm													

# 16



Screw from the inside of the drawers

I	x4
	
M4x10mm	