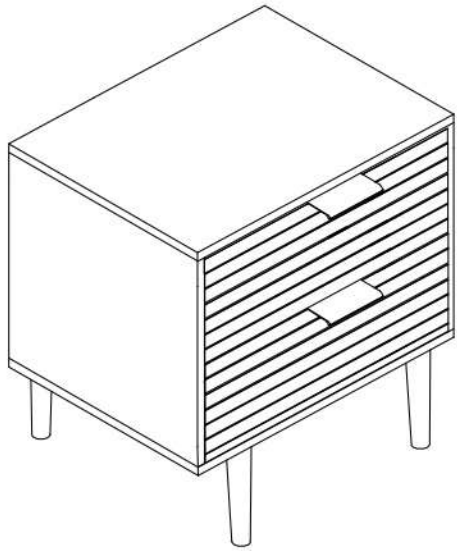


# BEDSIDE TABLE

MODEL:BT-A33-ZMAX-WD



## ASSEMBLY INSTRUCTIONS

Please read instructions carefully before assembly.



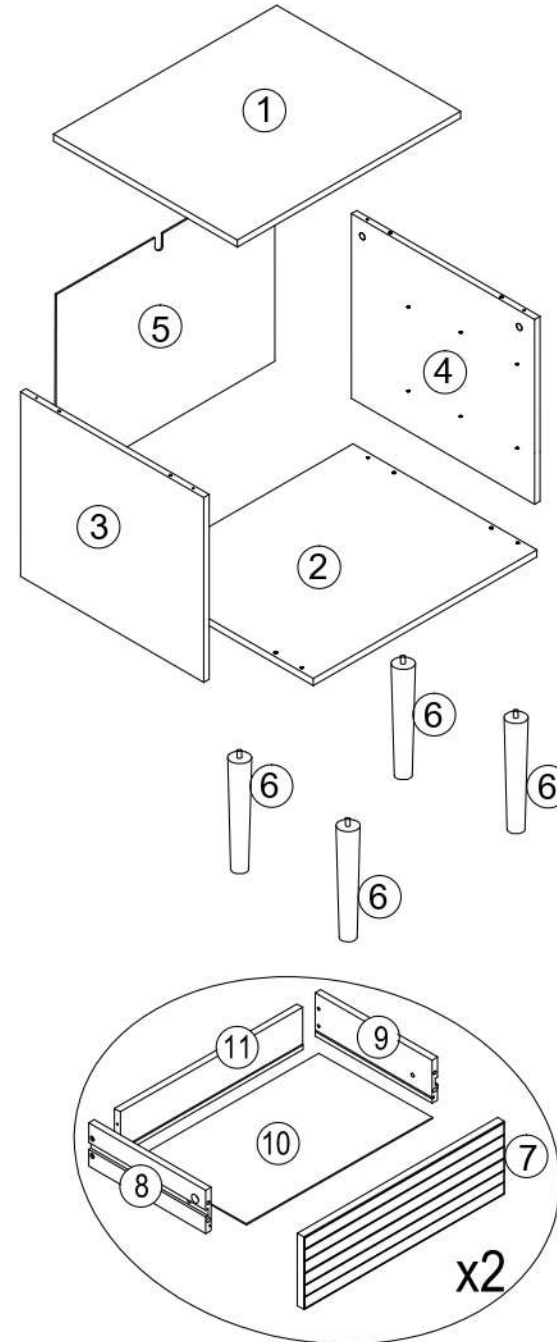
Two persons and tools required for assembly

### HARDWARE

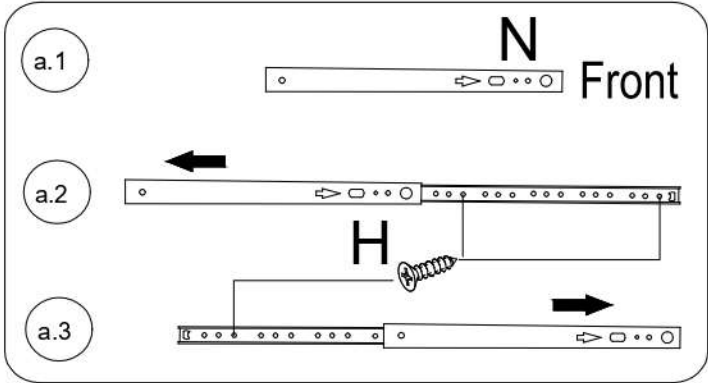
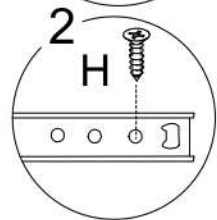
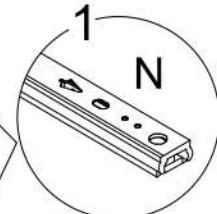
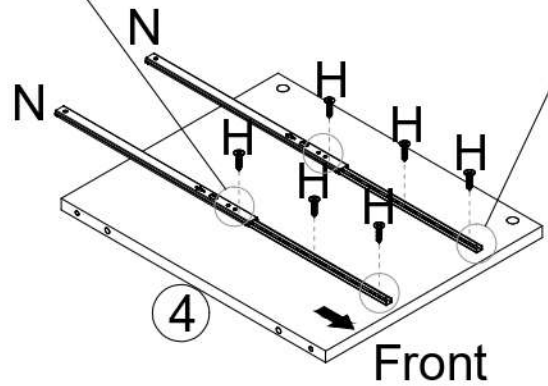
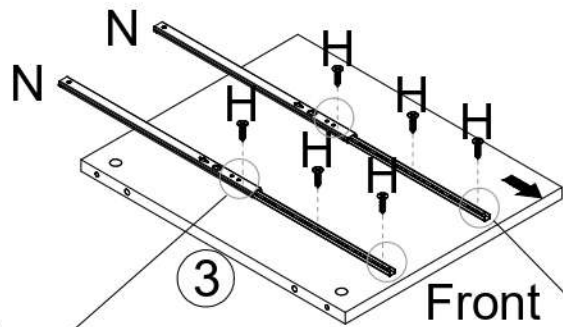
A	x8	B	x4	C	x12	D	x12	E	x16	F	x1	G	x4
7x35mm	15x12mm	Ø6x30mm	M4x40mm	M4x14mm									
H	x16	I	x2	J	x15	K	x4	L	x4	M	x4	N	x4
M3x12mm				M4x11mm	12x10mm								
O	x1	P	x1	Q	x1								
	M4x12mm	M4x30mm											

## PARTS

Wipe with dry cloths

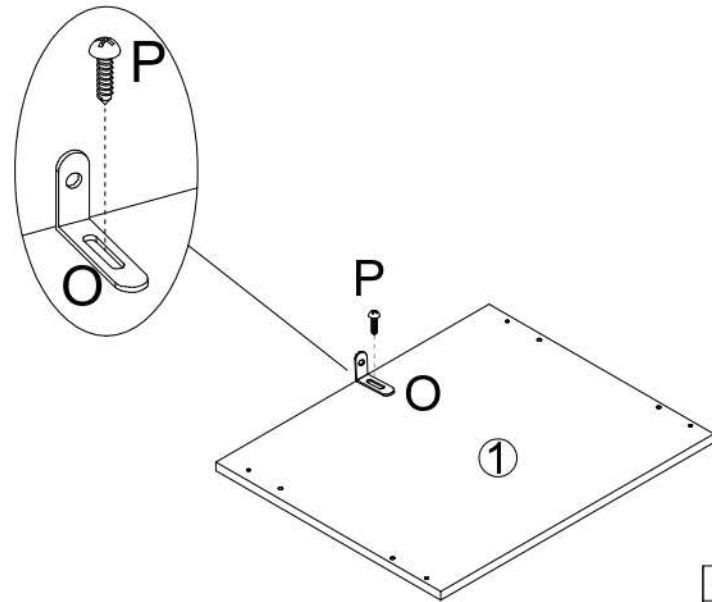


1



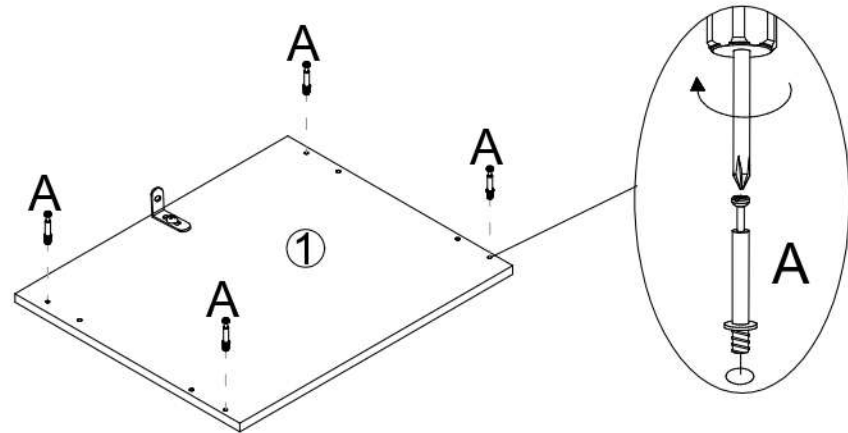
H	X12	N	x4
M3x12mm			

2



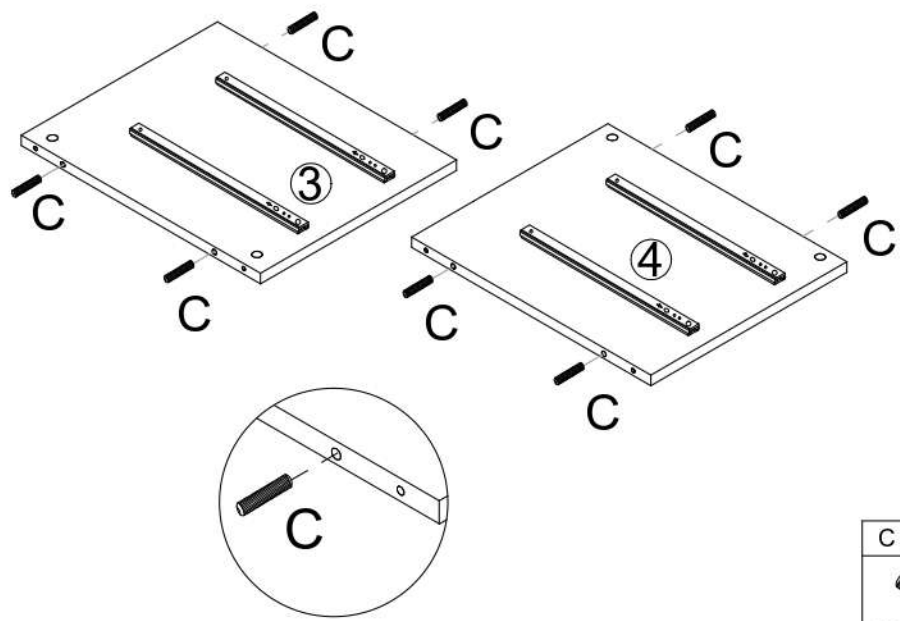
O	x1	P	x1
		M4x14mm	

3



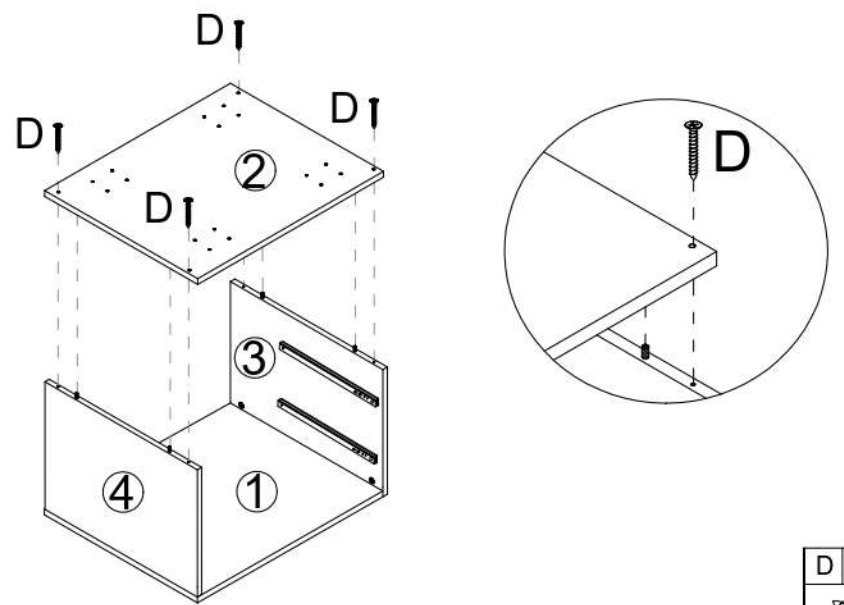
A	x4
7x35mm	


4



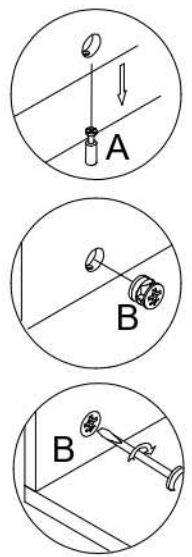
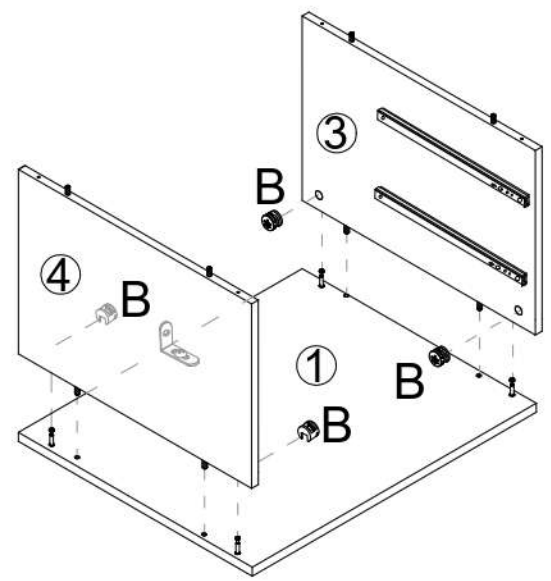
C	X8
	
Ø6x30mm	


6



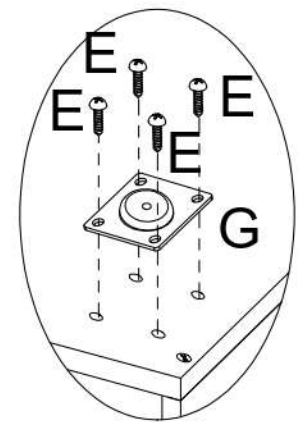
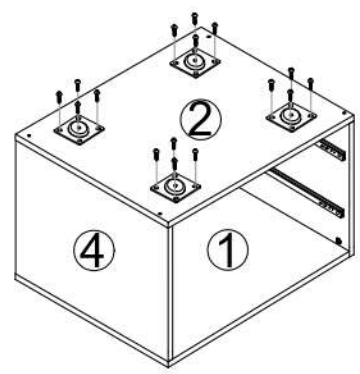
D	x4
	
M4x40mm	



5



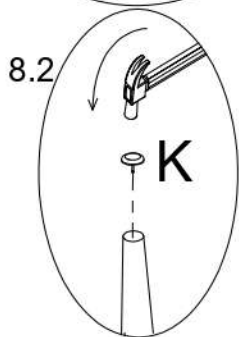
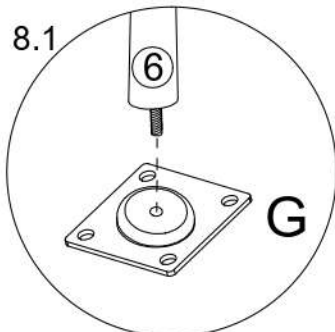
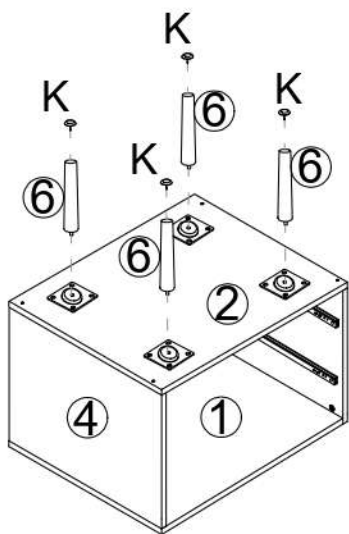
B	x4
	
15x12mm	

7



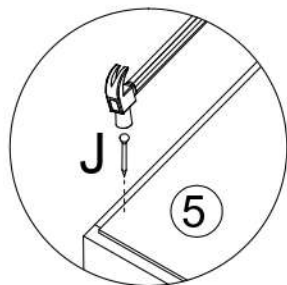
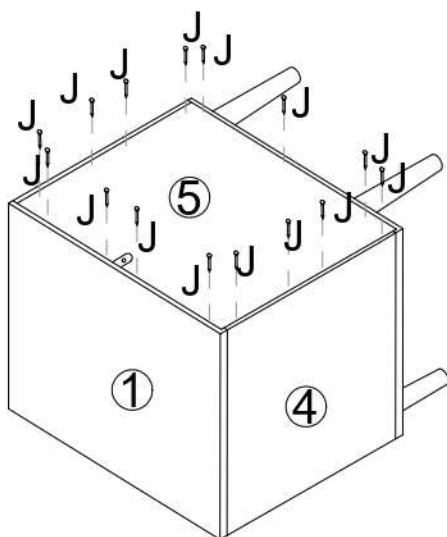
G	x4	E	x16
			
		M4x14mm	

8



K	x4

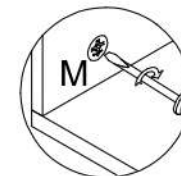
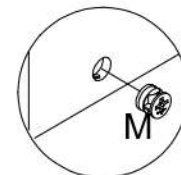
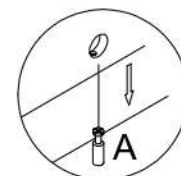
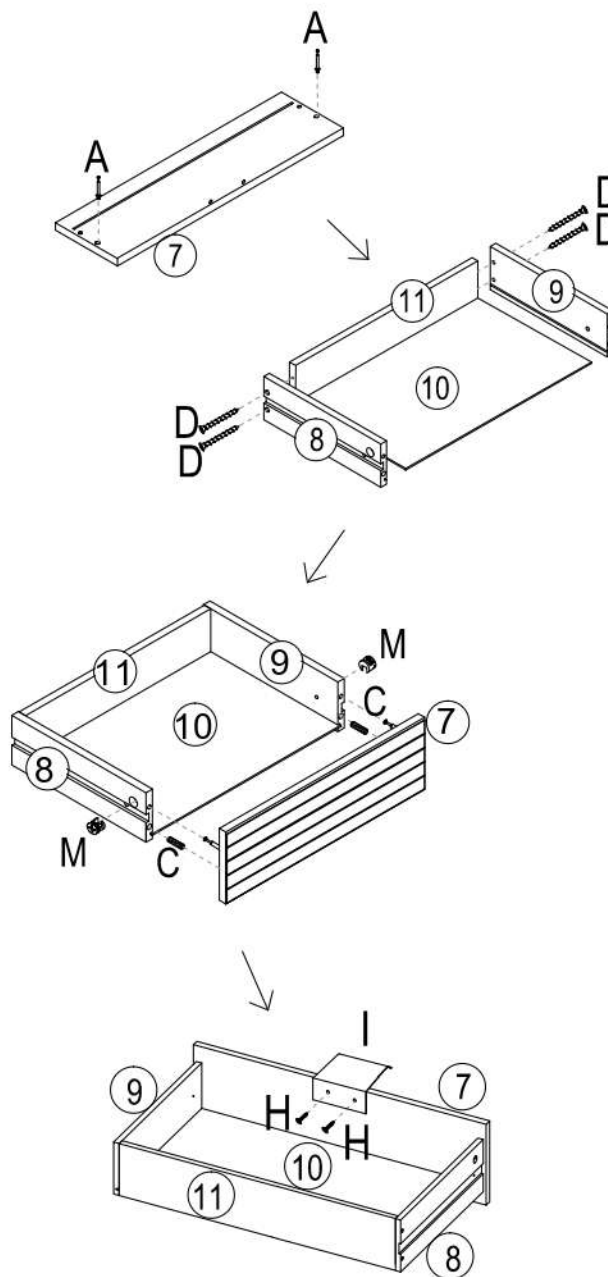
9



rear panels

J	x15

10

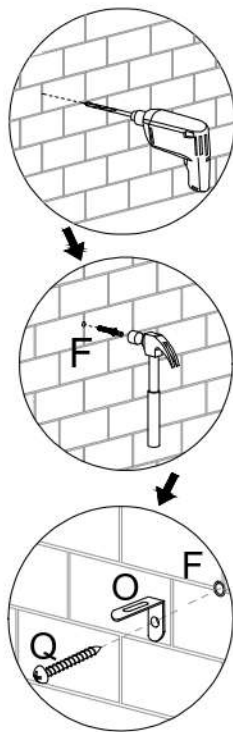
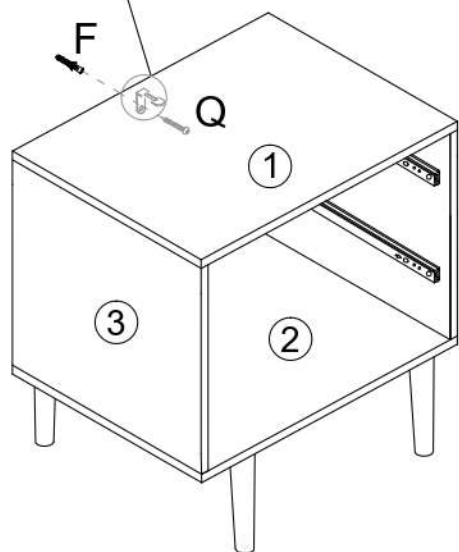
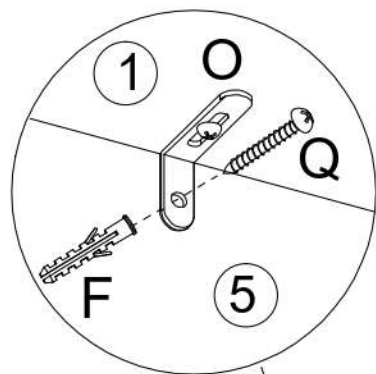


x2

A	x4	M	x4	C	x4	D	x8	I	x2	H	x4
7x35mm		12x10mm		Ø6x30mm		M4x40mm				M3x12mm	

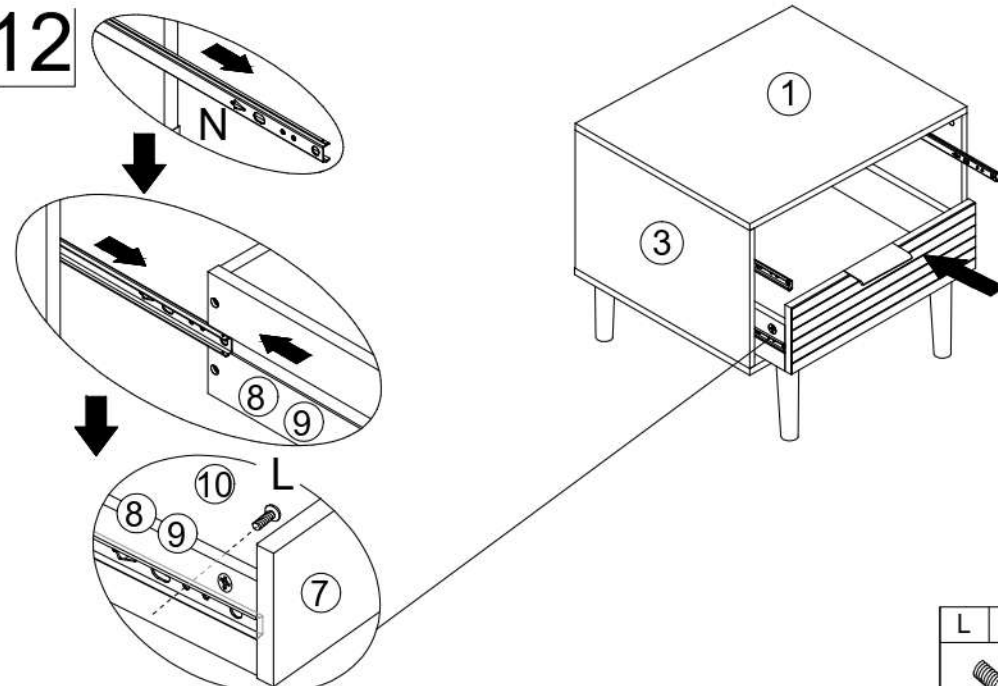
# 11

Pre-drilled hole at wall



Q	x1	F	x1
M4x30mm			

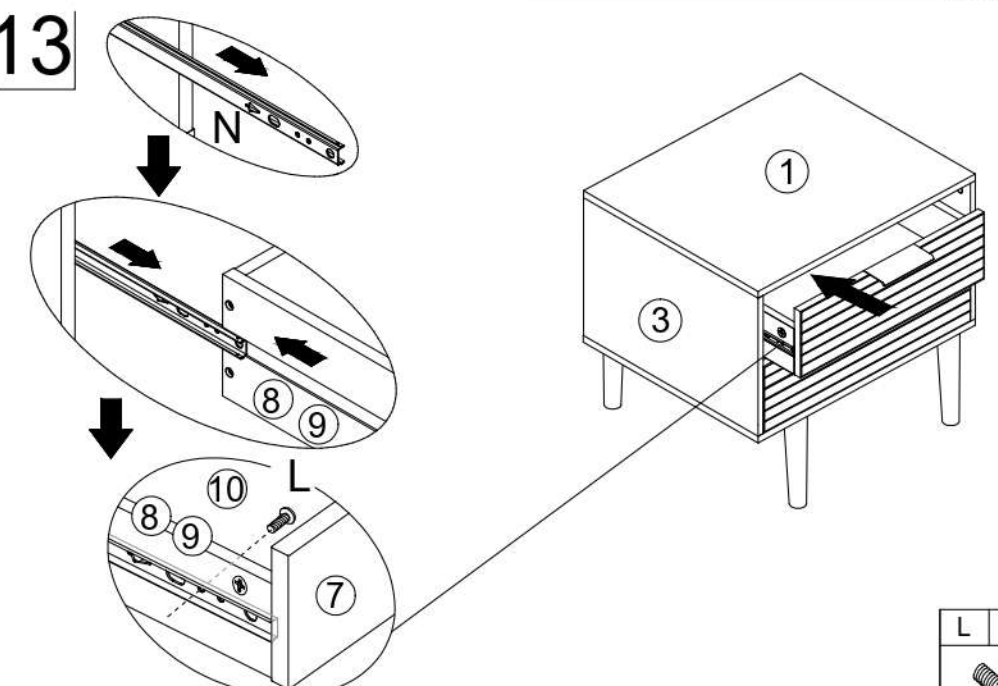
# 12



Screw from the inside of the drawers

L	x2
M4x11mm	

# 13



Screw from the inside of the drawers

L	x2
M4x11mm	