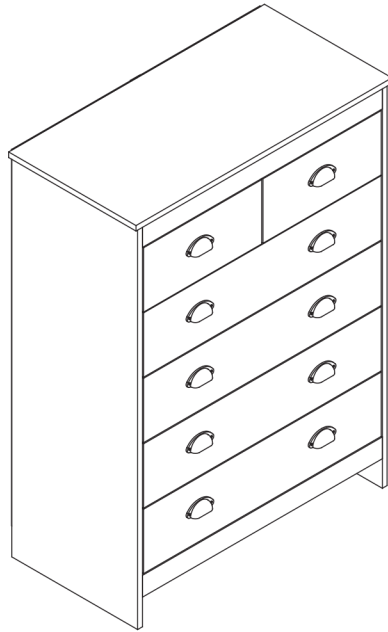


# CHEST OF DRAWER

MODEL:COD-KUKA-WH/WD

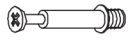

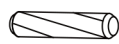











Two persons and tools required for assembly

## ASSEMBLY INSTRUCTIONS

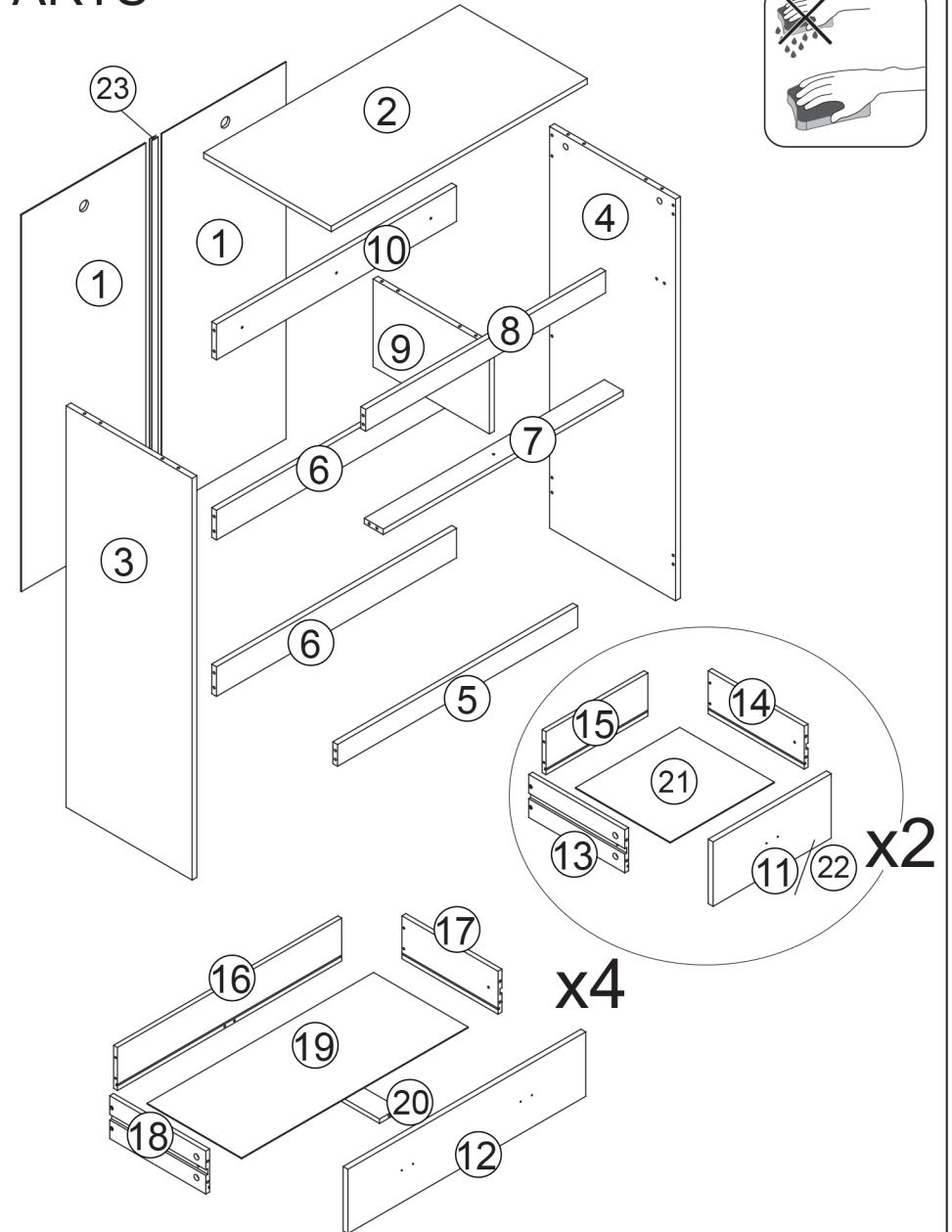
Please read instructions carefully before assembly.

## HARDWARE

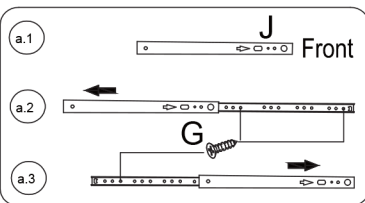
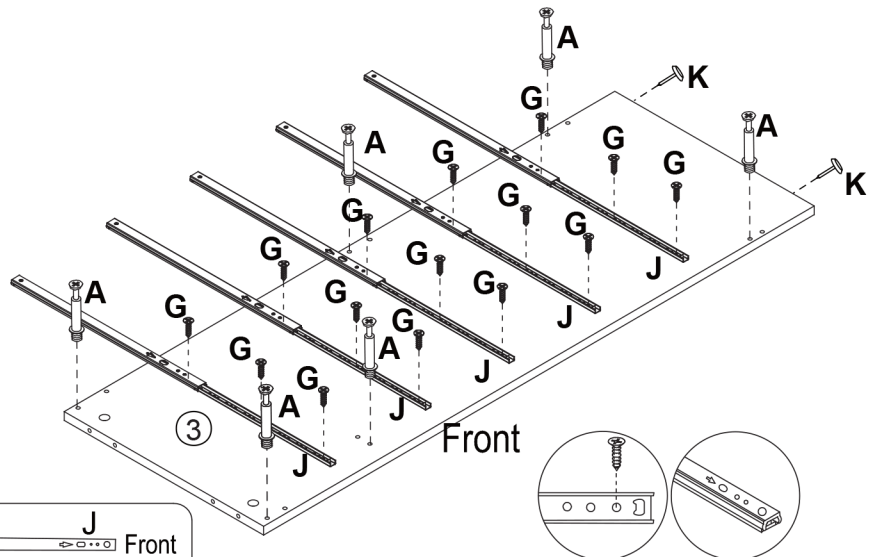
A	46PCS	B	46PCS	C	18PCS	D	36PCS	E	10PCS	F	22PCS
											
6x35mm		15x10mm		Ø6x30mm		M4x40mm					
G	36PCS	H	2PCS	I	12PCS	J	12PCS	K	4PCS	L	12PCS
											
M3.5x12mm				M4x10mm						M3x14mm	

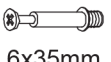

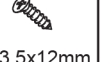

## PARTS

Wipe with dry cloths

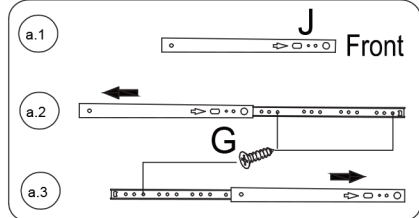
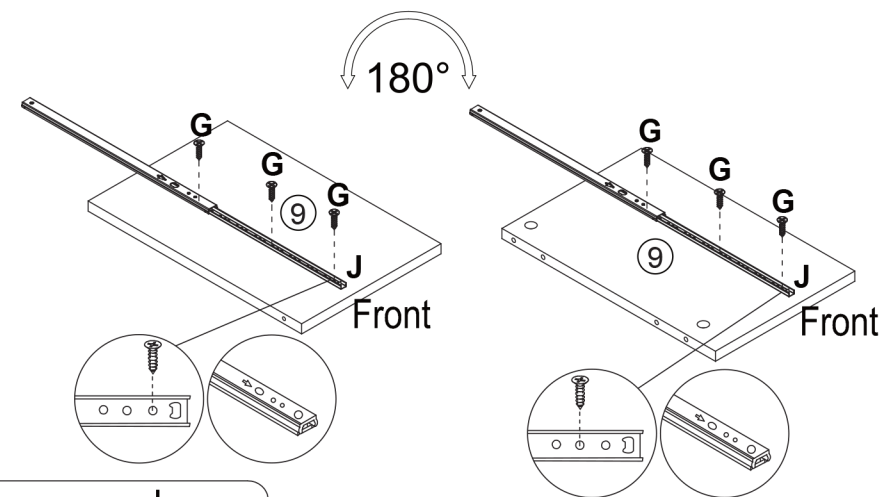



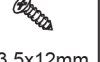
1



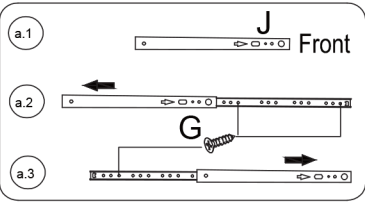
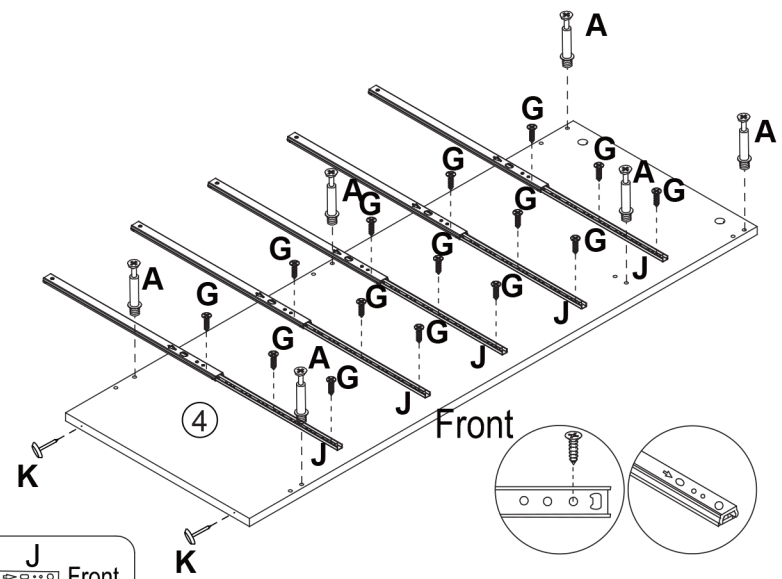
<b>A</b> x 6	<b>J</b> x 5	<b>G</b> x 15	<b>K</b> x 2
 6x35mm		 M3.5x12mm	

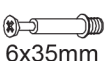



3



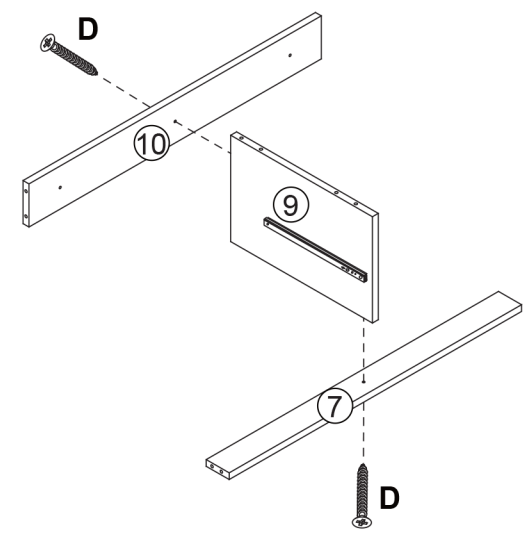
<b>J</b> x 2	<b>G</b> x 6
	 M3.5x12mm


2



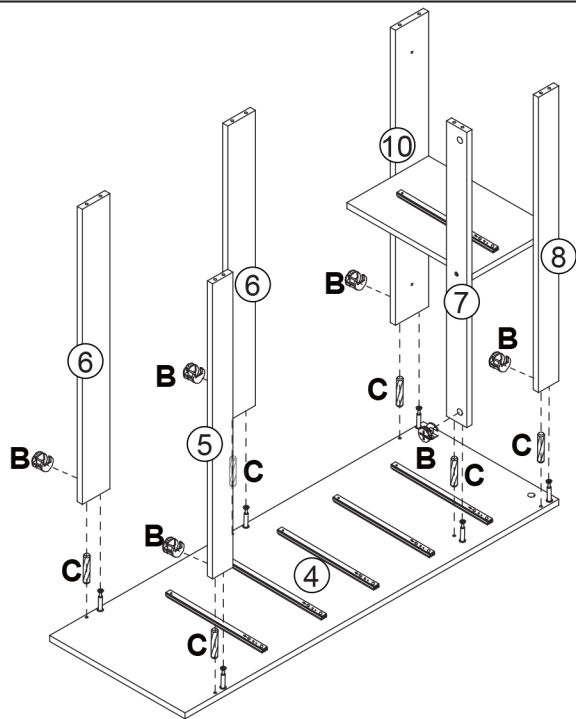
<b>A</b> x 6	<b>J</b> x 5	<b>G</b> x 15	<b>K</b> x 2
 6x35mm		 M3.5x12mm	



4



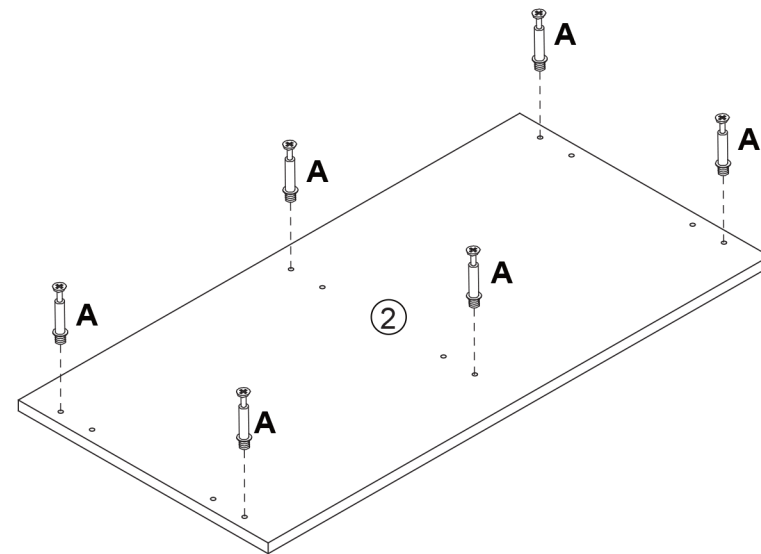
<b>D</b> x 2
 M4x40mm


5



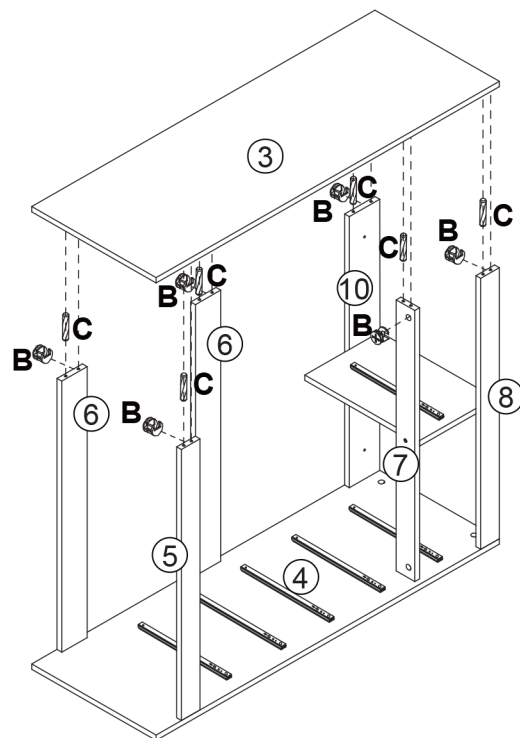
<b>B</b> x 6	<b>C</b> x 6
 15x10mm	 Ø6x30mm



7



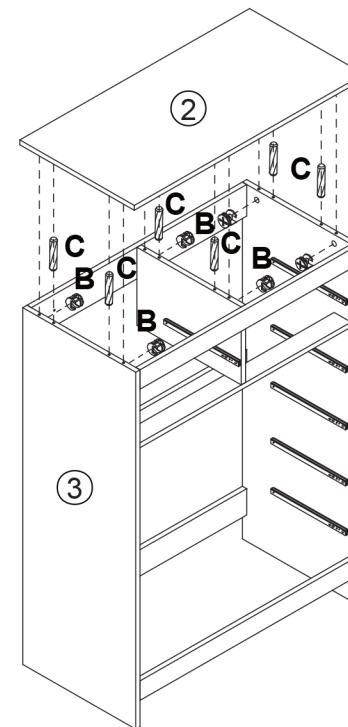
<b>A</b> x 6
 6x35mm


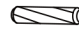
6



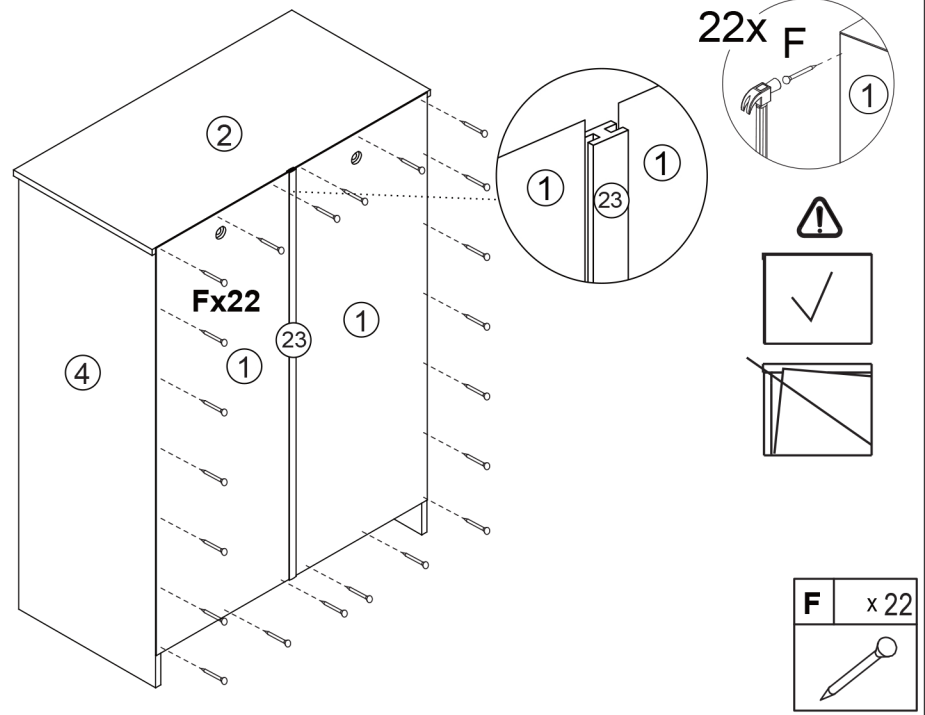
<b>B</b> x 6	<b>C</b> x 6
 15x10mm	 Ø6x30mm

8

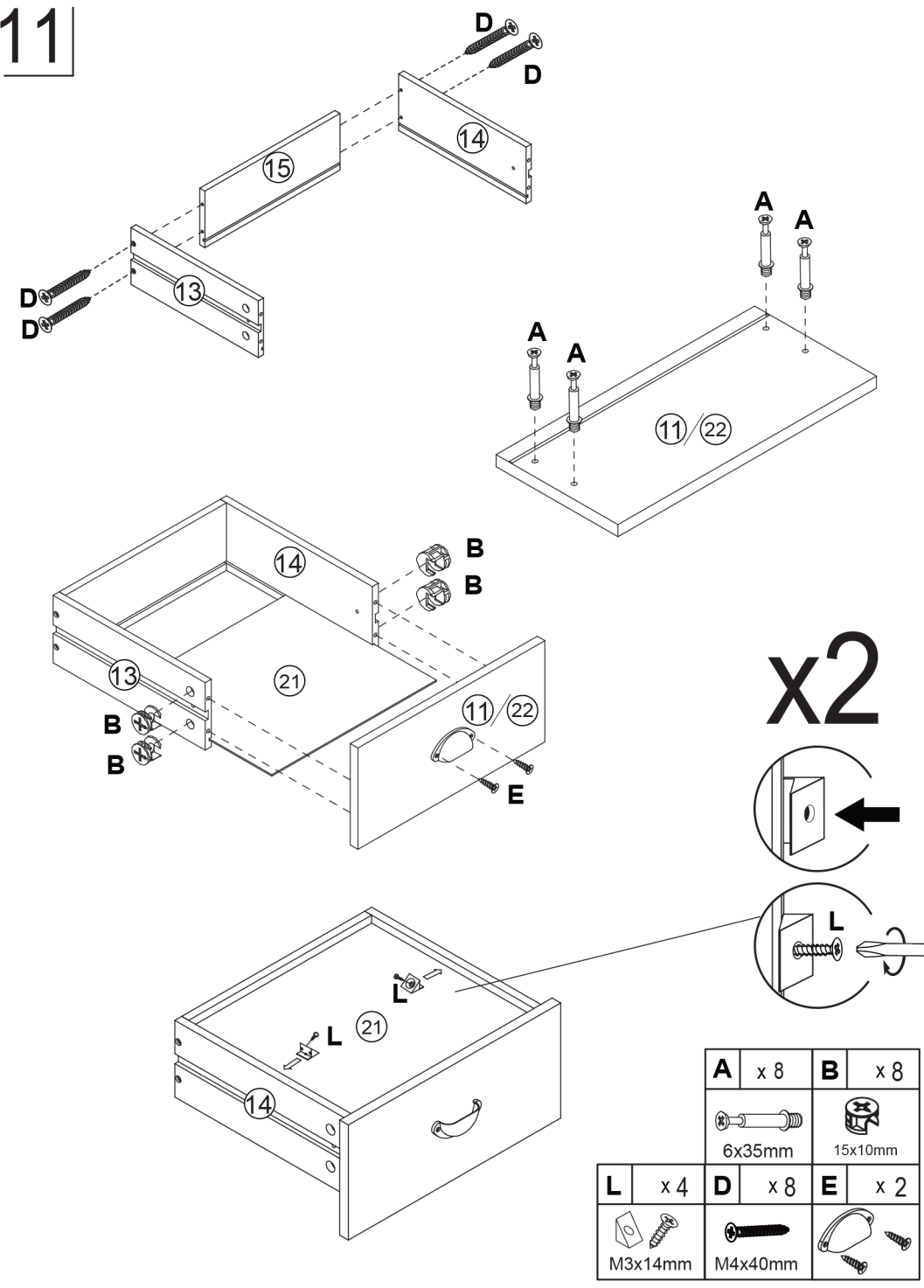


<b>B</b> x 6	<b>C</b> x 6
 15x10mm	 Ø6x30mm

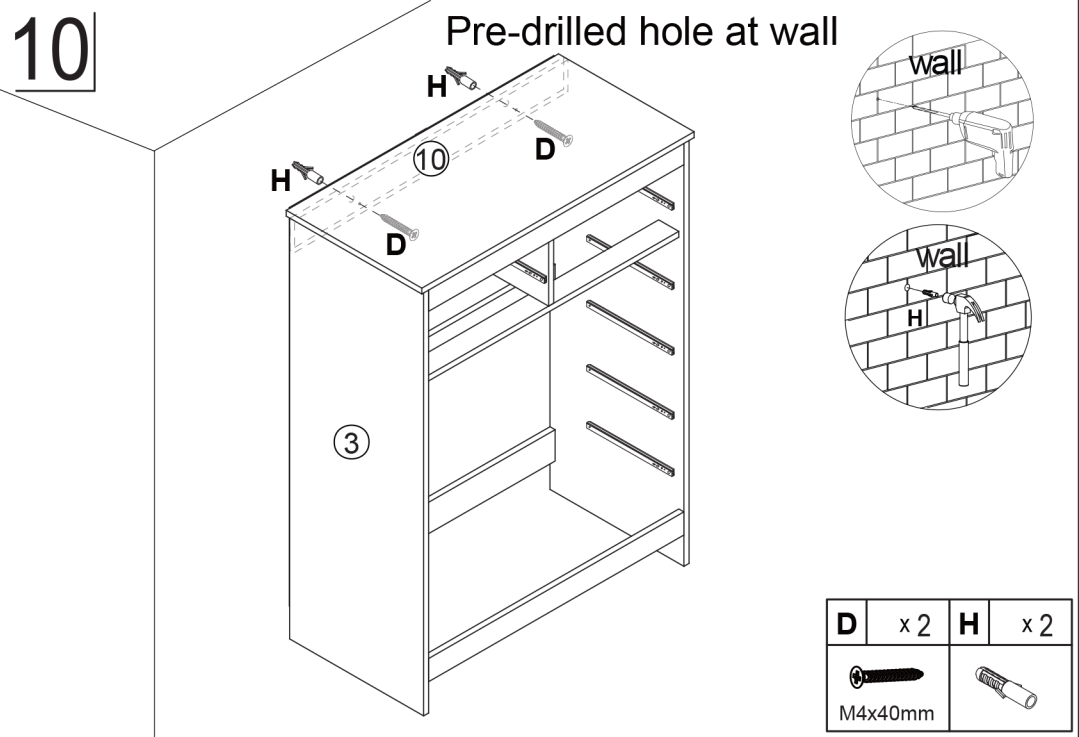
9



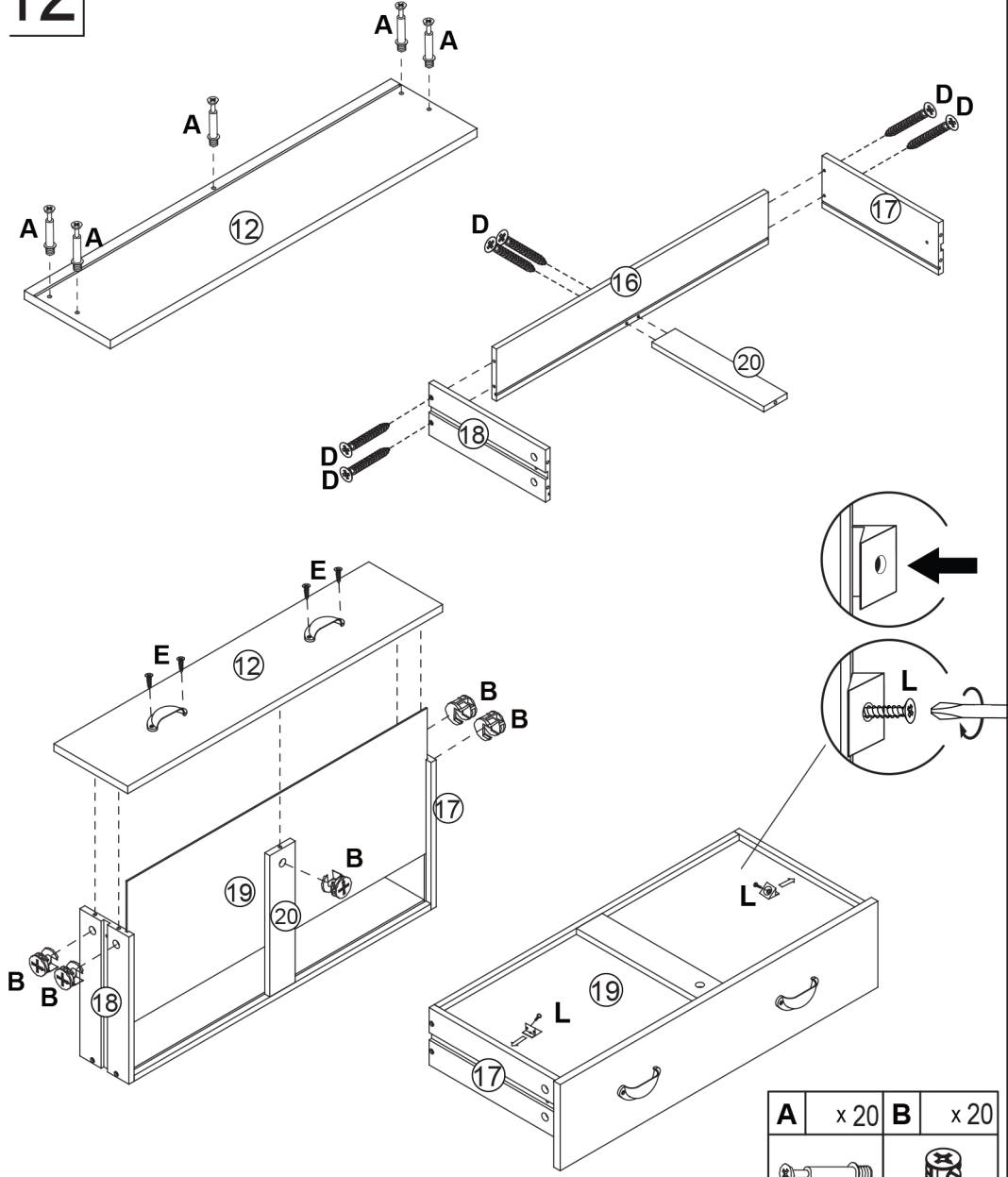
11



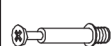




10



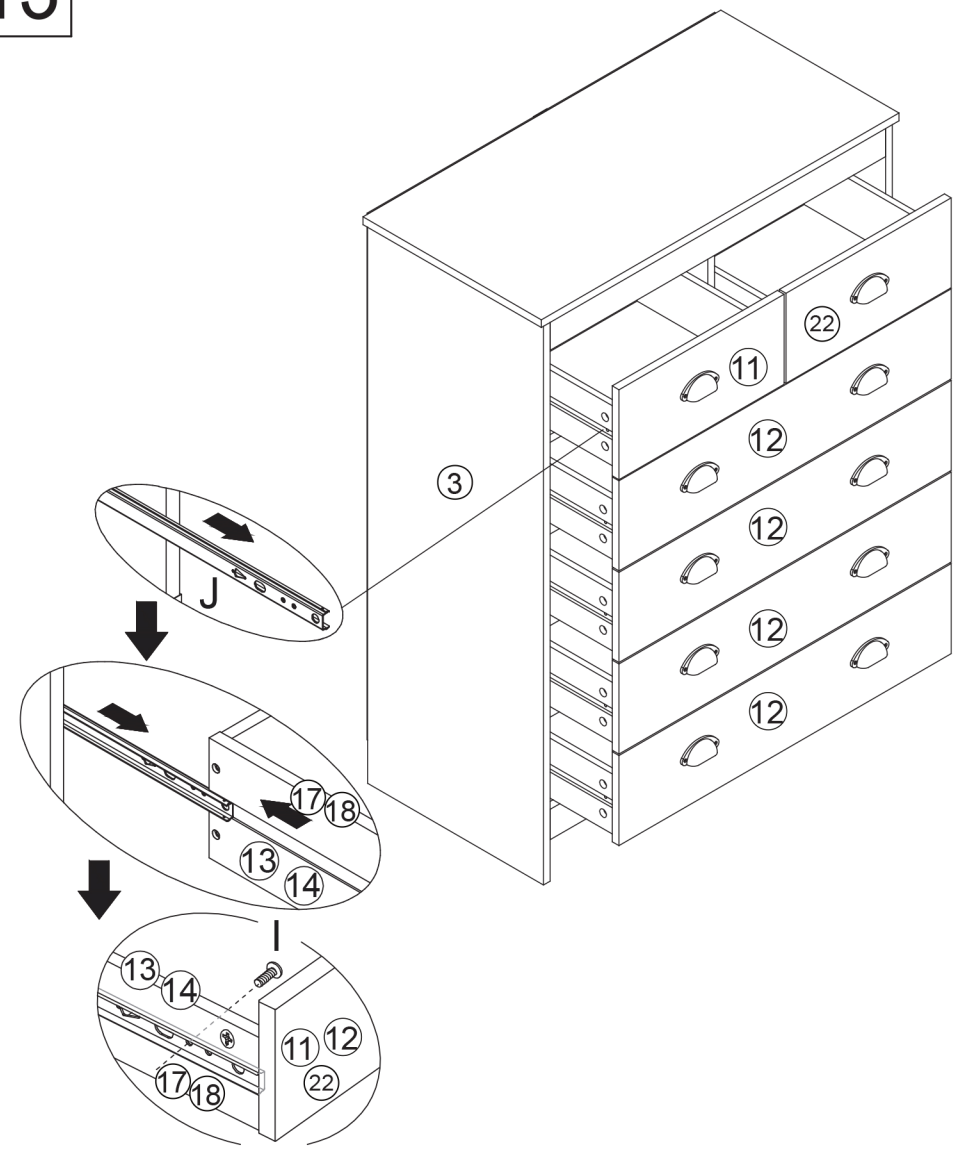
# 12




# x4

<b>A</b>	x 20	<b>B</b>	x 20
	6x35mm		15x10mm
<b>L</b>	x 8	<b>D</b>	x 24
	M3x14mm		M4x40mm
		<b>E</b>	x 8
			

# 13



Screw from the inside of the drawers

<b>I</b>	x 12
	M4x10mm