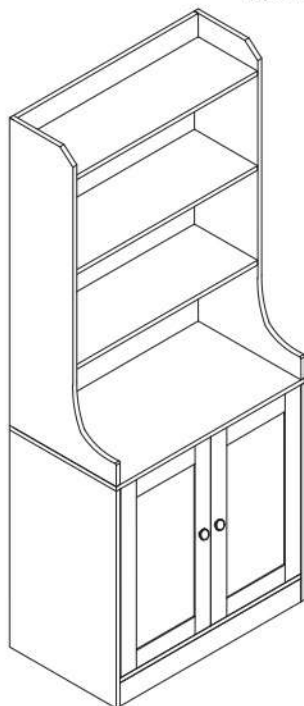


SIDEBORD

MODEL:SB-GLAY-H3S-WH



ASSEMBLY INSTRUCTIONS

Please read instructions carefully before assembly.

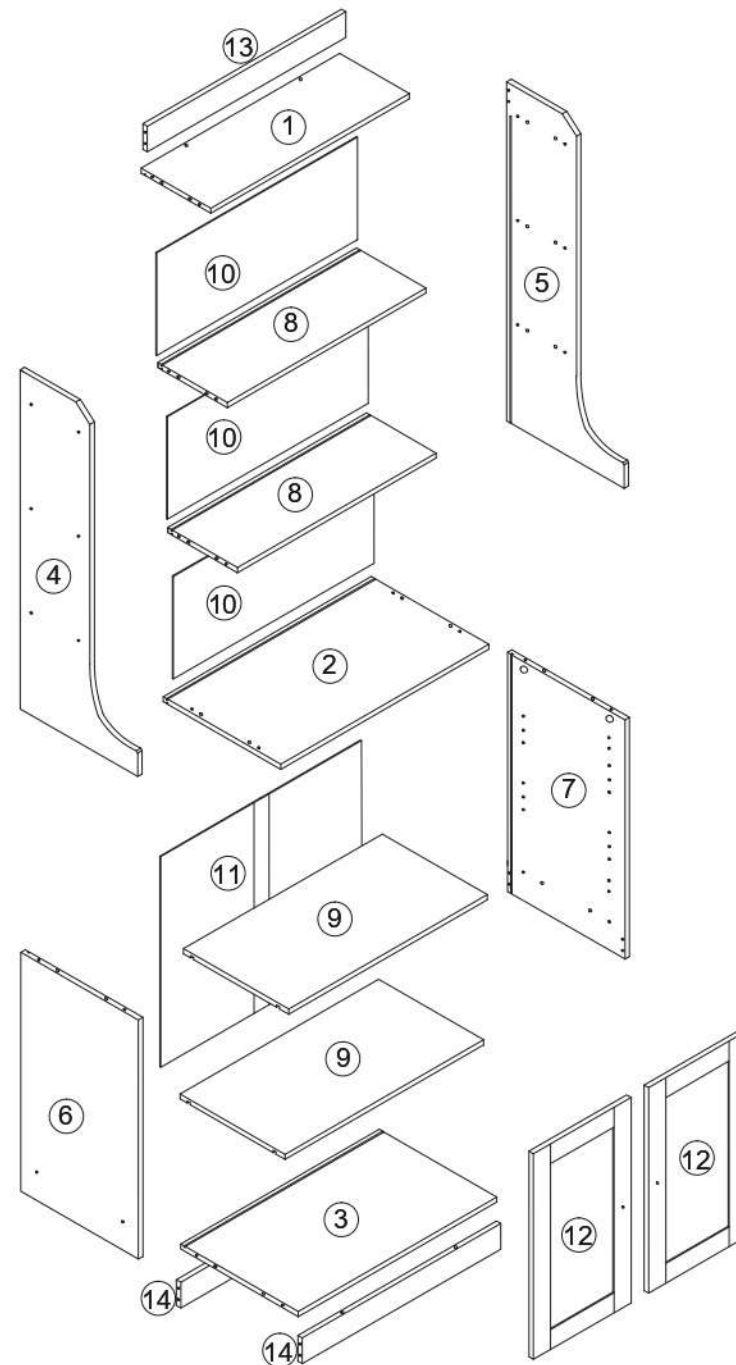


Two persons and tools required for assembly

HARDWARE

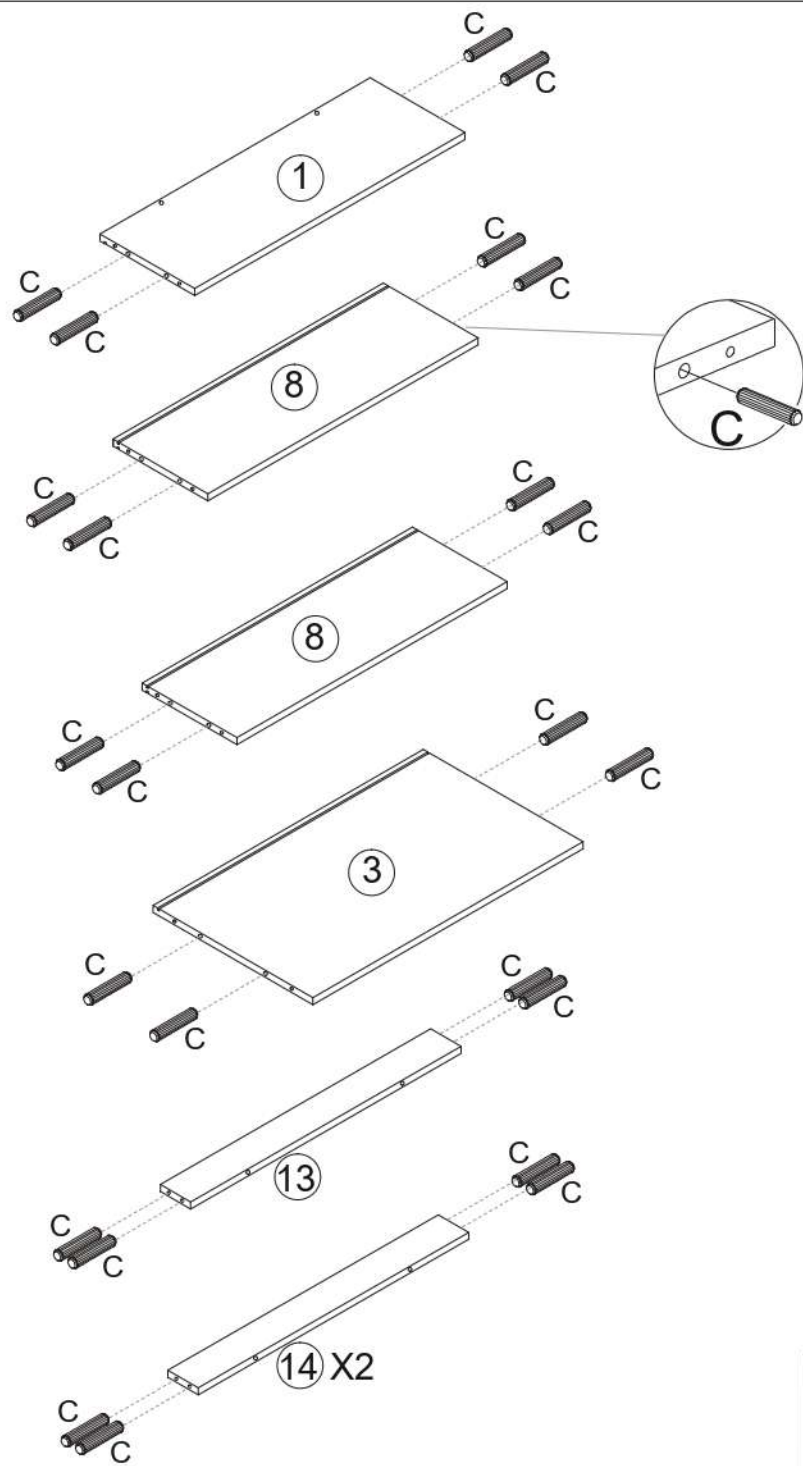
A	x4	B	x4	C	x34	D	x20	E	x4	F	x16
7x35mm		15x12mm		Ø6x30mm		M4x40mm		Ø6x50mm			
G	x4	H	x24	I	x2	J	x2	K	x4	L	x16
		M3x14mm		M4x20mm						M3.5x14mm	
M	x2	N	x2	O	x2	P	x8	Q	x2	R	x1
		M4x14mm						M4x30mm		M3x12mm	

PARTS



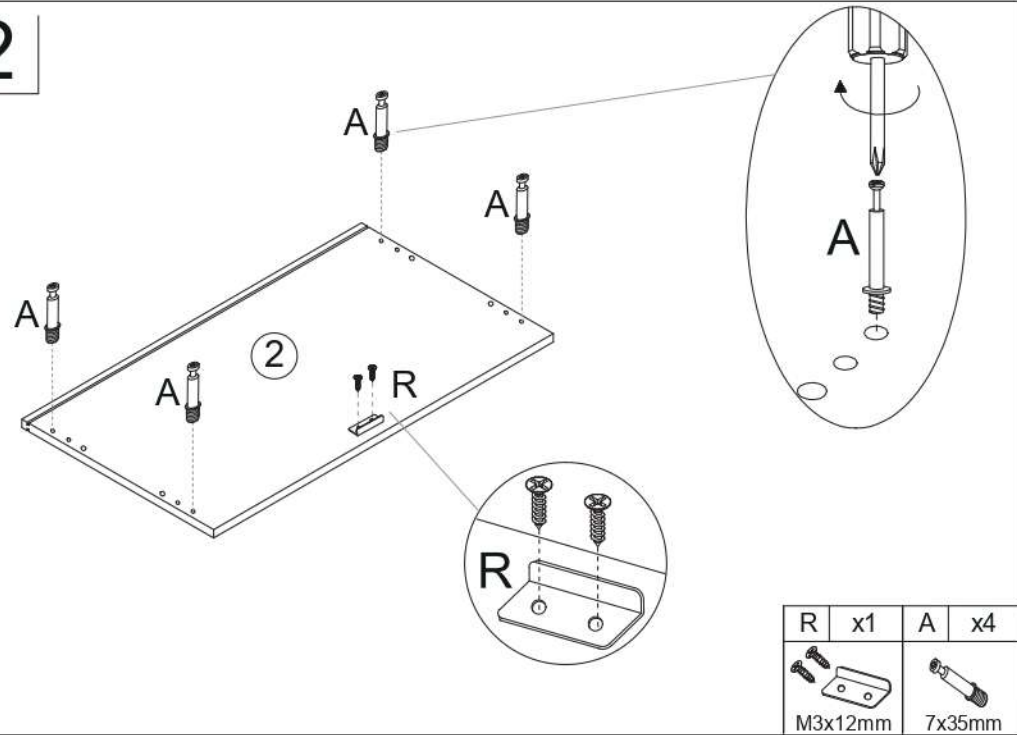
Wipe only with a dry cloths


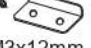

1



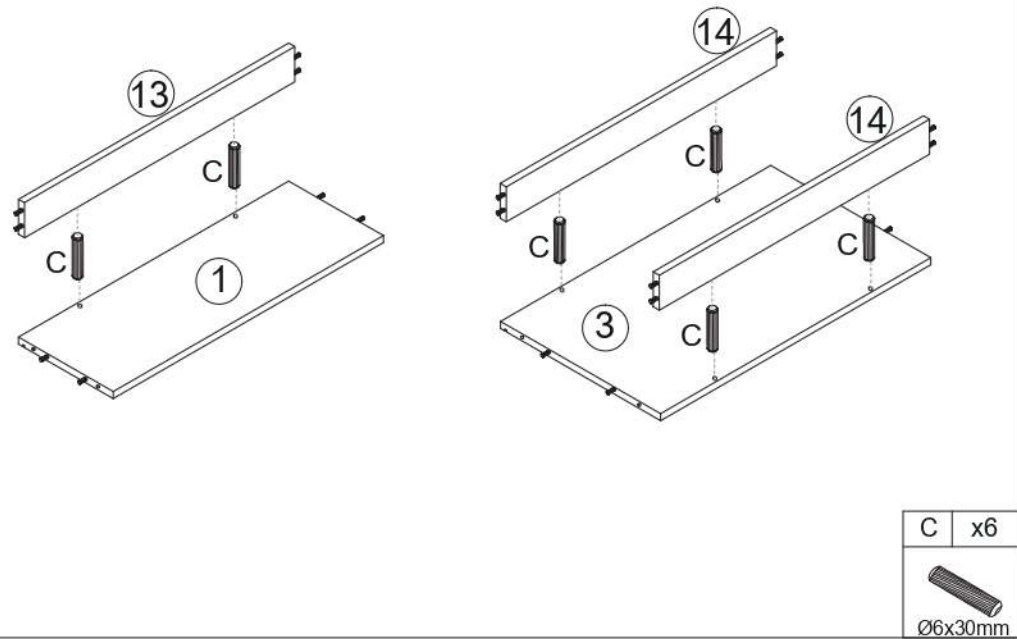
C	x28
	
Ø6x30mm	

2



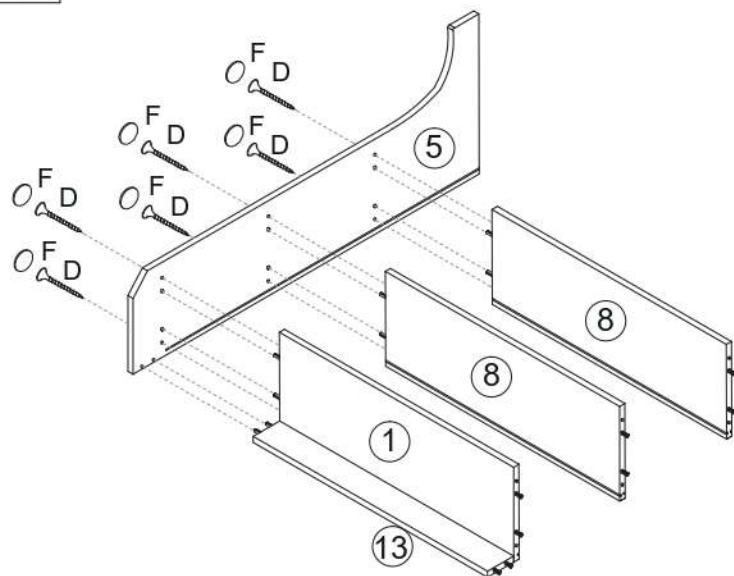
R	x1	A	x4
			
M3x12mm		7x35mm	

3

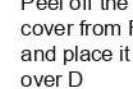


C	x6
	
Ø6x30mm	

4





F



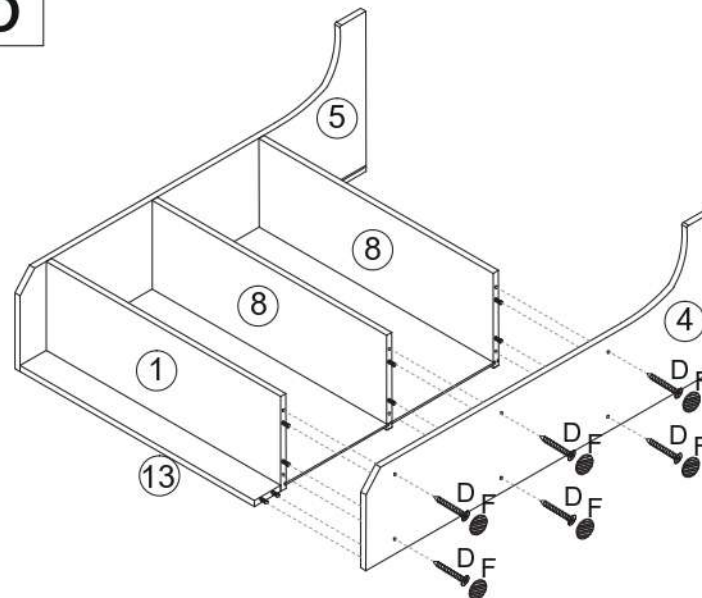
F

D

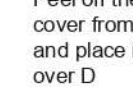
Peel off the cover from F and place it over D

D	x6	F	x6
			
M4x40mm			

6





F



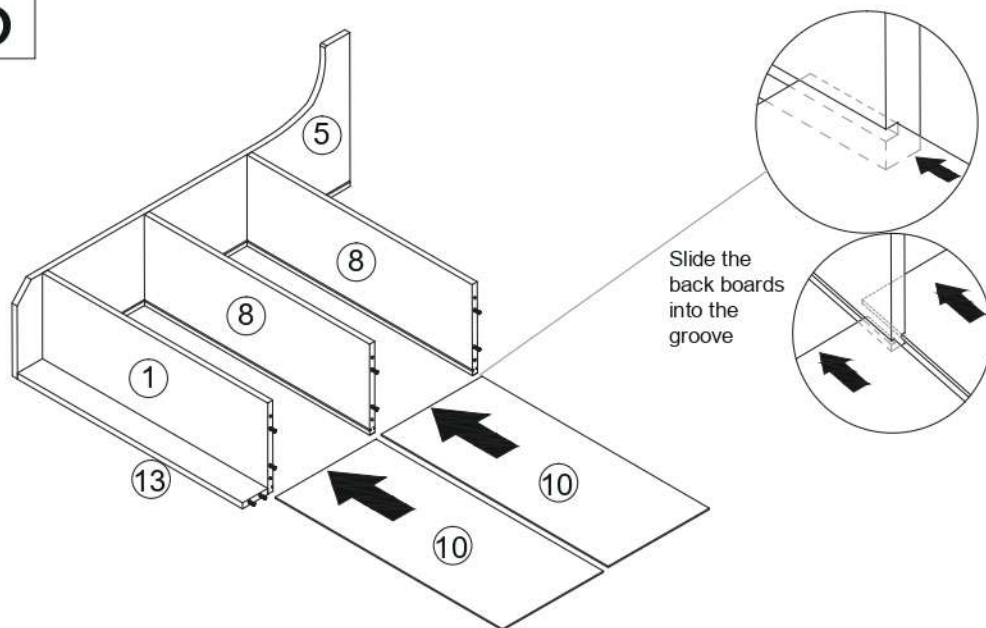
F

D

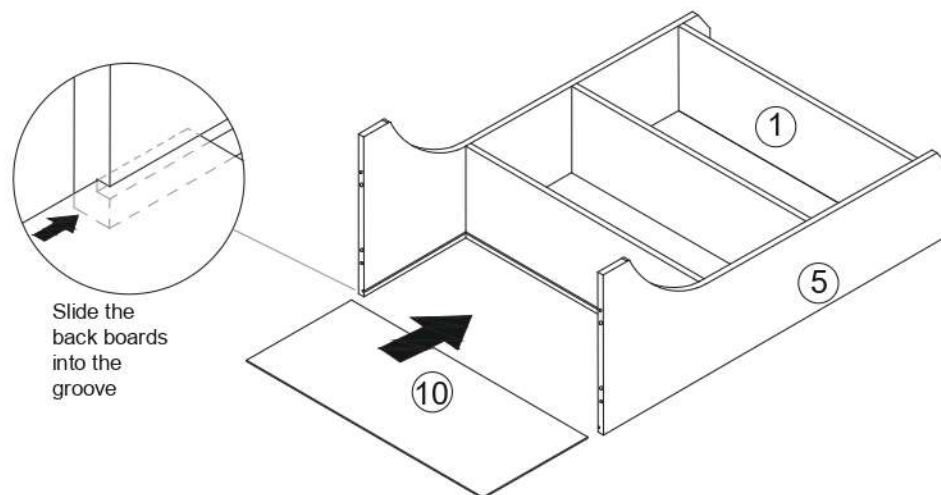
Peel off the cover from F and place it over D

D	x6	F	x6
			
M4x40mm			

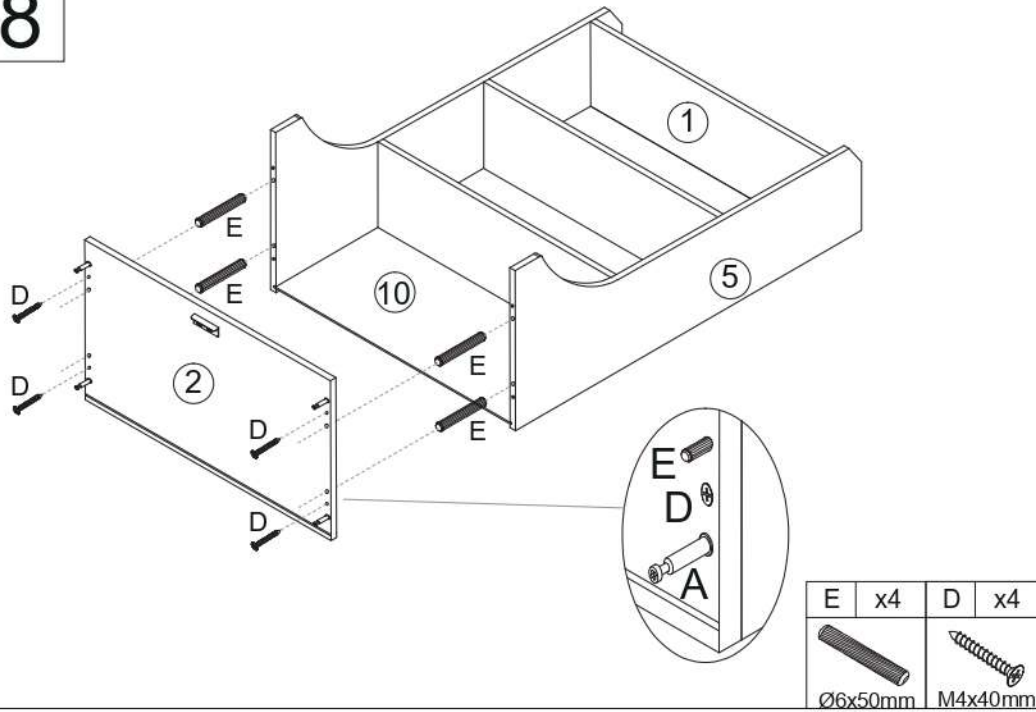
5



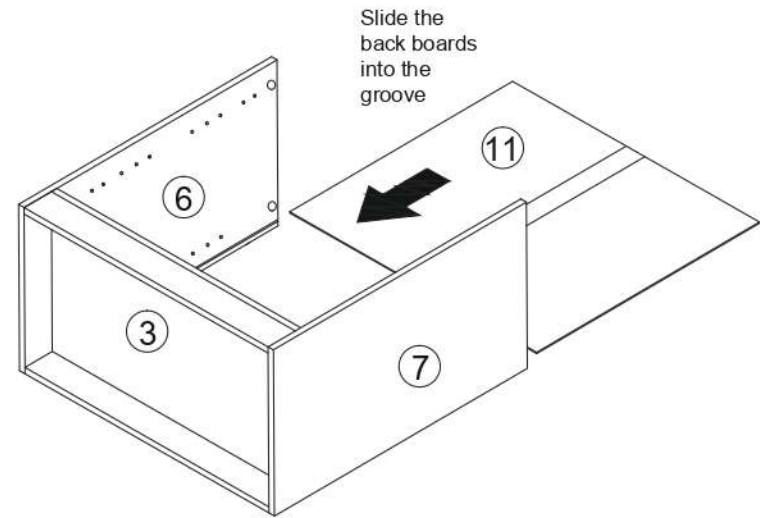
7



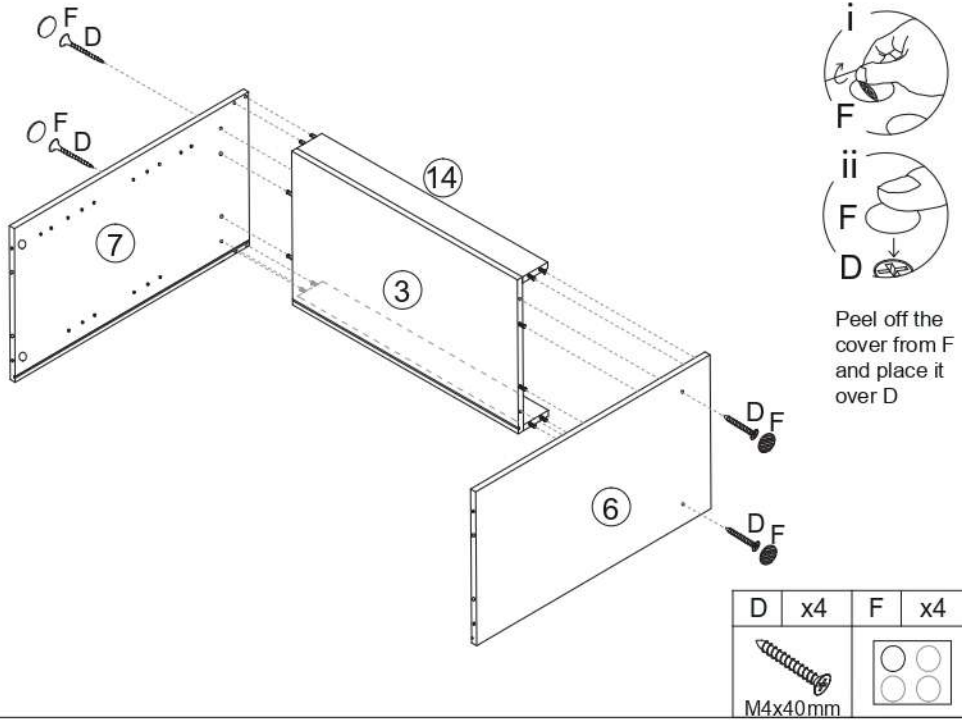
8



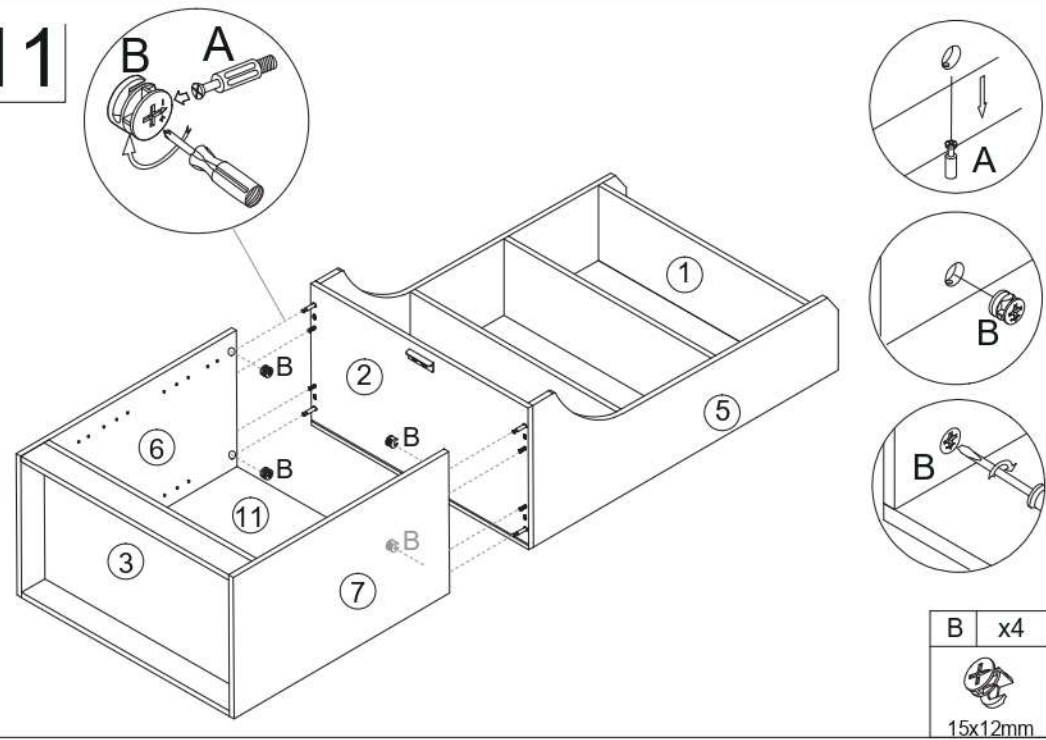
10



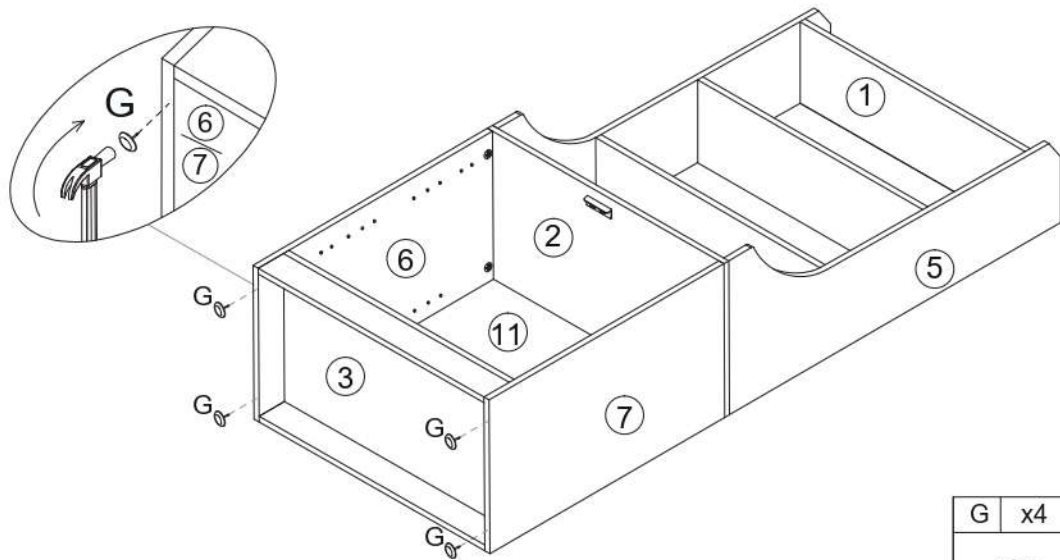
9




11

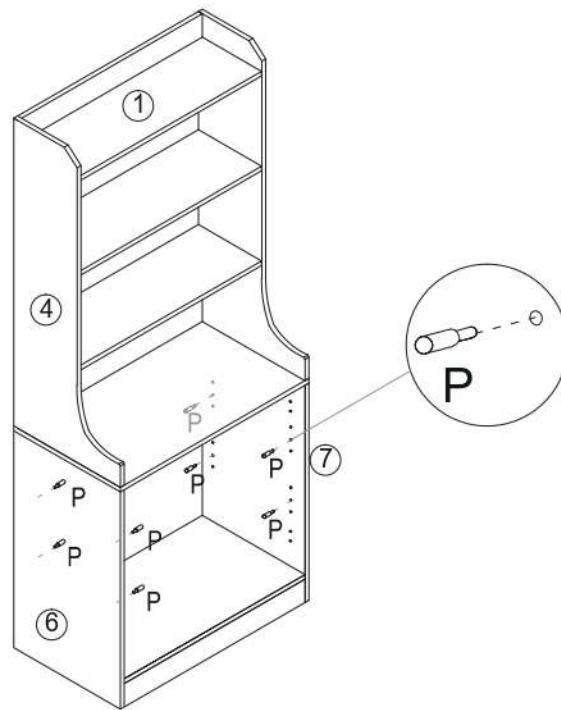



12



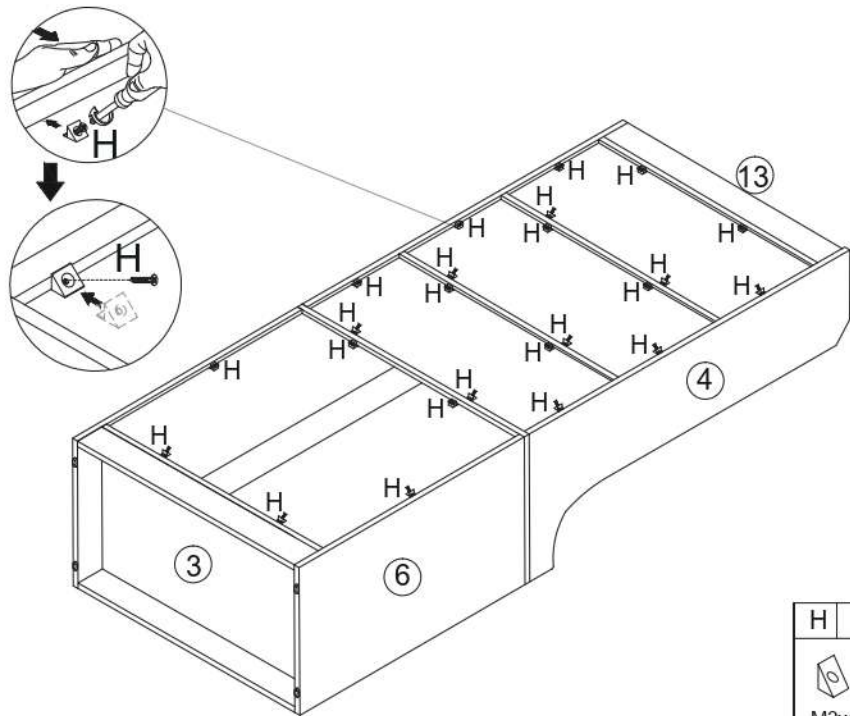
G	x4
	

14



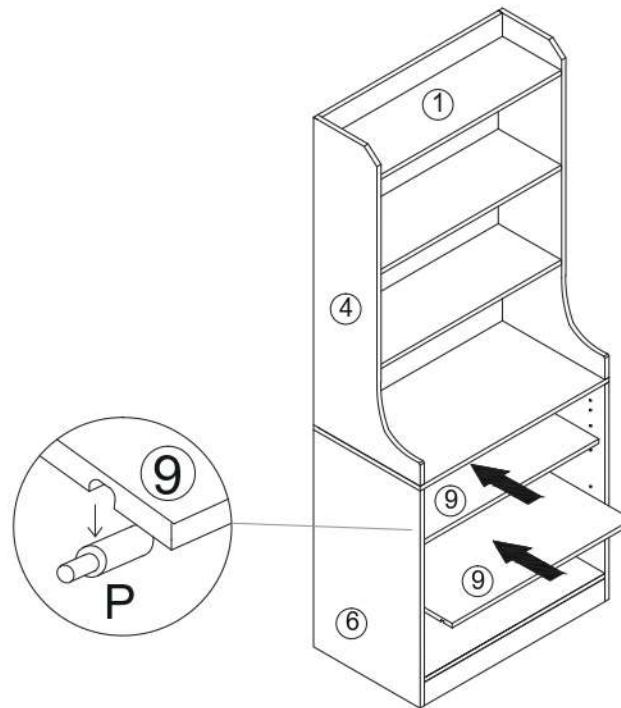
P	x8
	


13



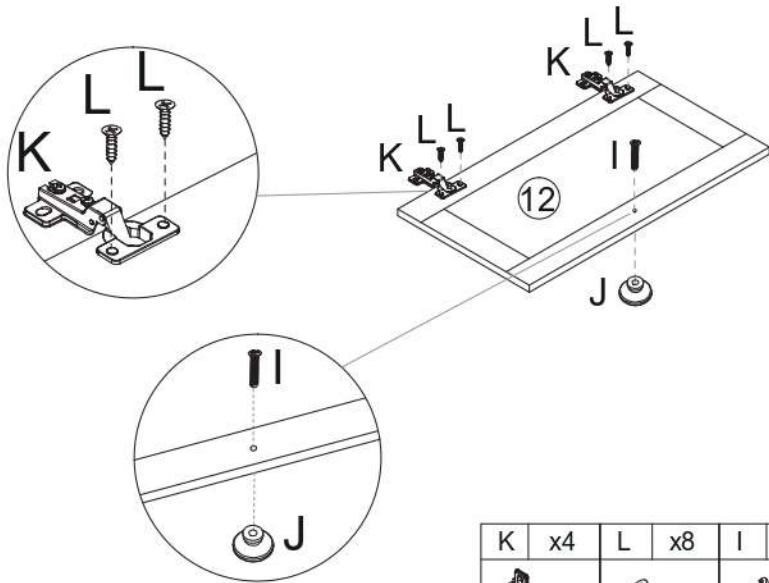
H	x24
	
M3x14mm	

15



P	x8
	

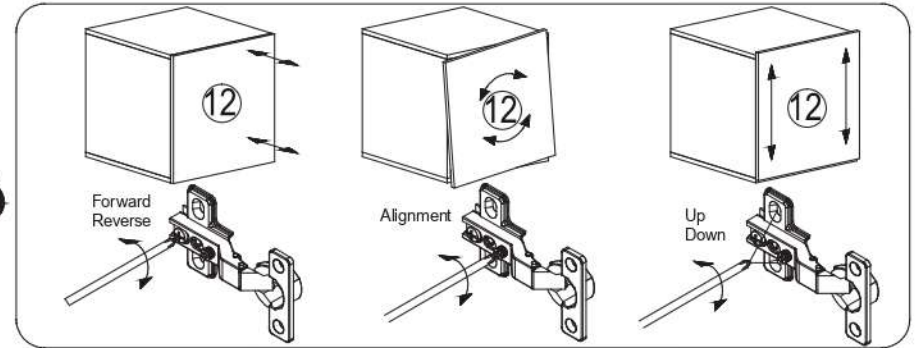
16



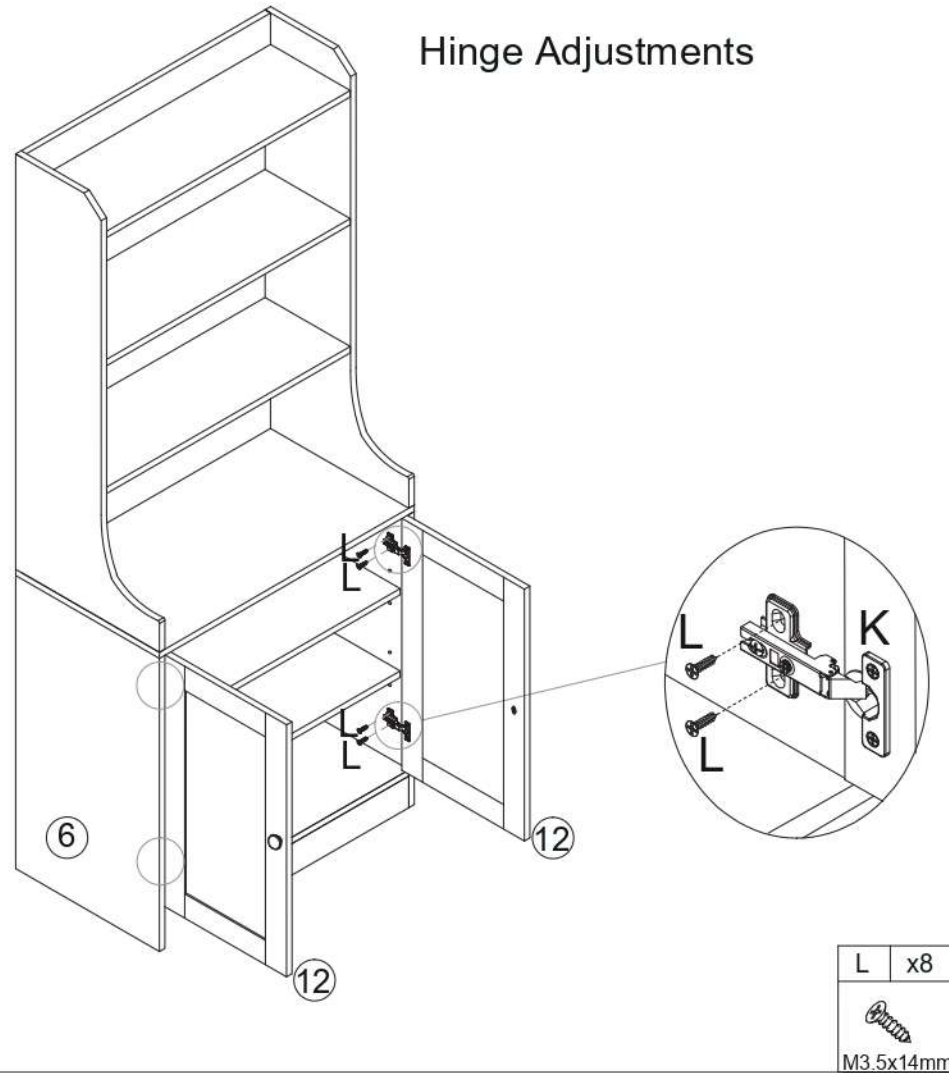
Assemble
2 sets
x2

K	x4	L	x8	I	x2	J	x2
			M3.5x14mm		M4x20mm		

17



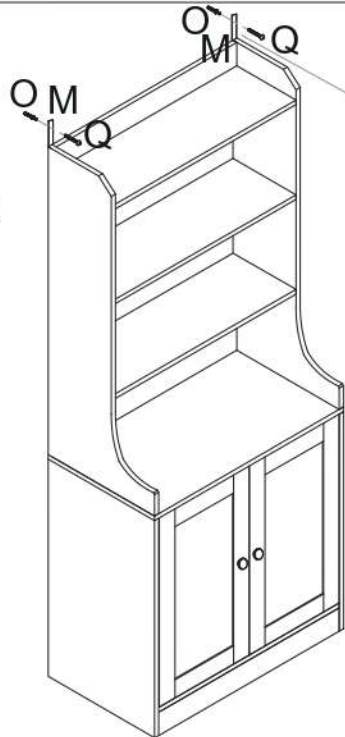
Hinge Adjustments



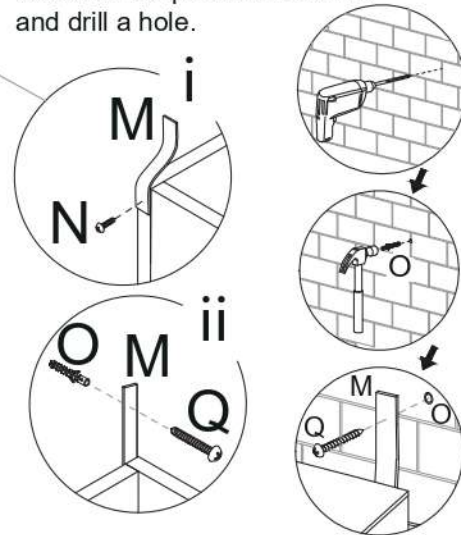
L	x8
	M3.5x14mm

18

Optional



Mark out the position on a wall
and drill a hole.



M	x2	N	x2	O	x2	Q	x2
			M4x14mm				M4x30mm