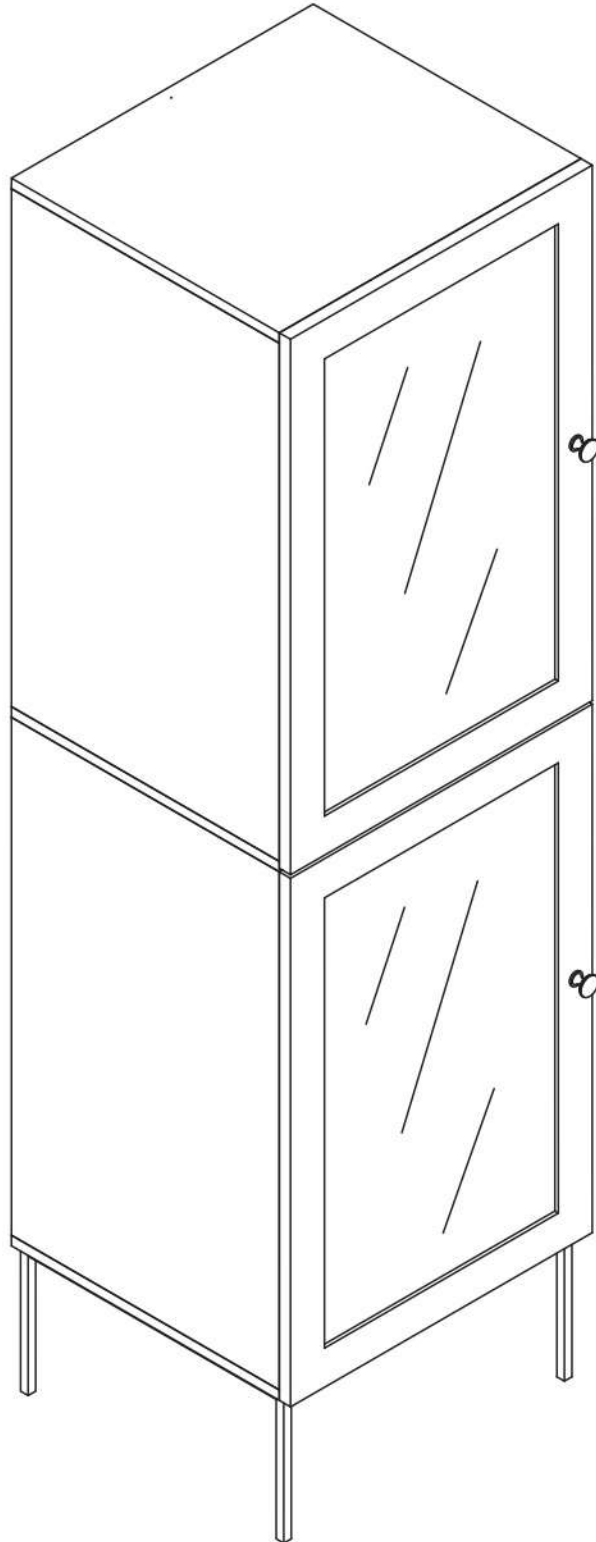


STORAGE CABINET

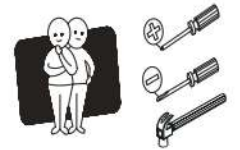
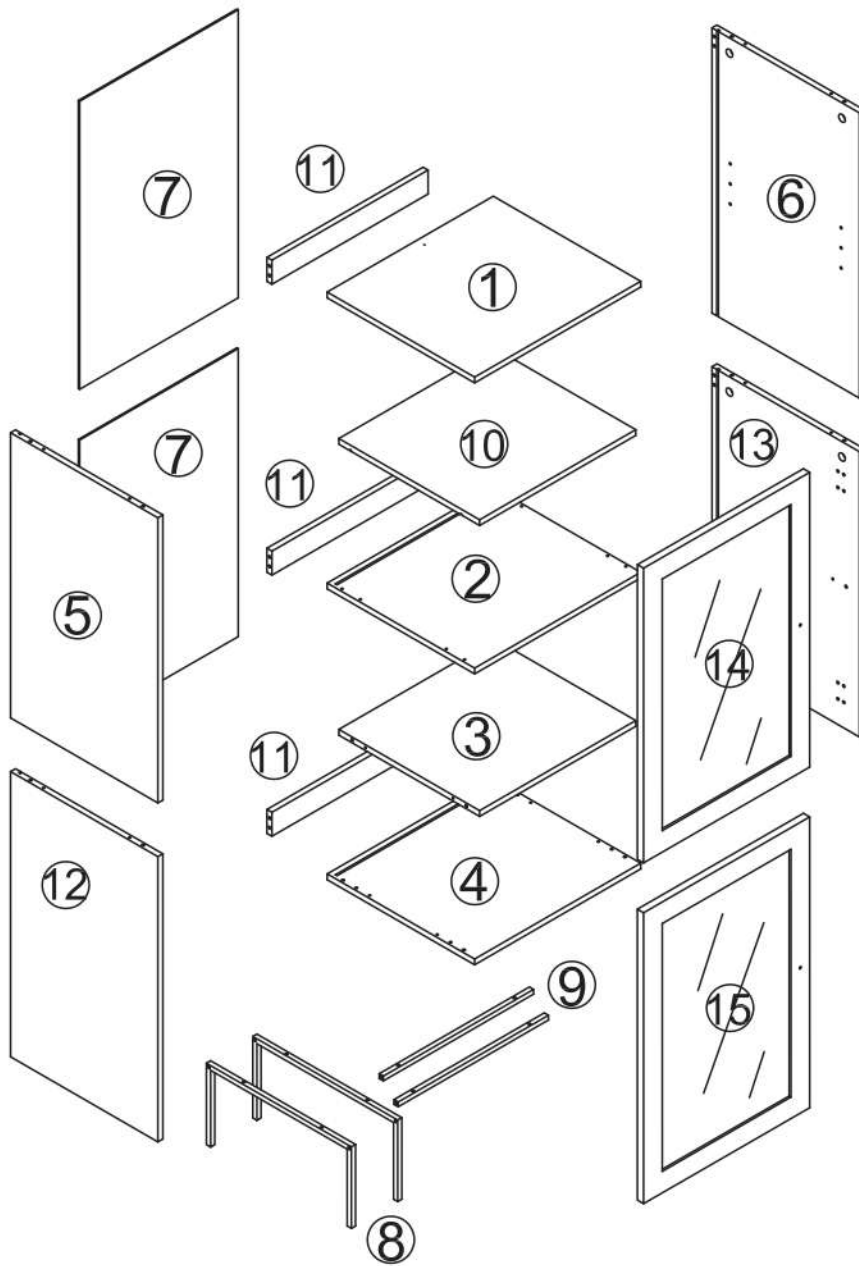
MODEL: ST-VJ-SUZI-F3-BK

Version : 1.0



PARTS

Wipe with dry cloths






















Two persons and tools required for assembly

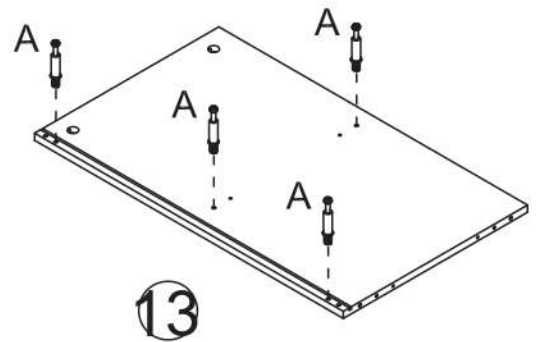
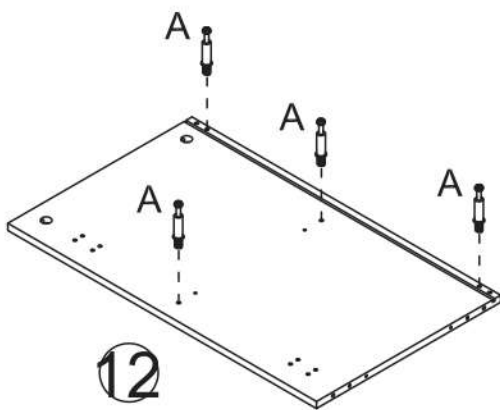
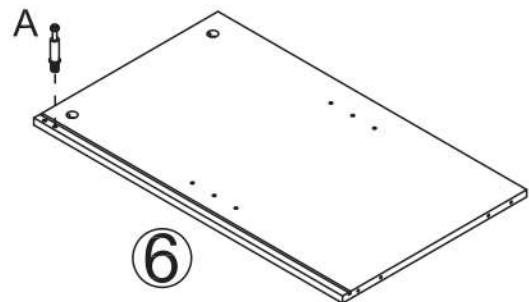
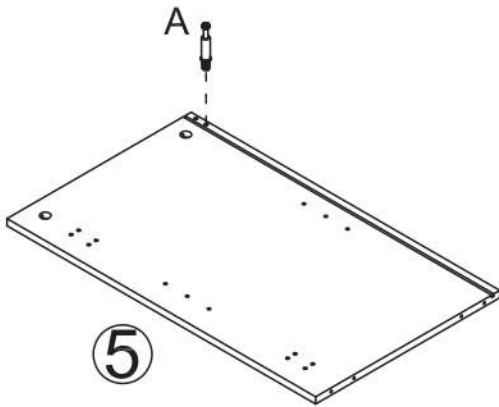
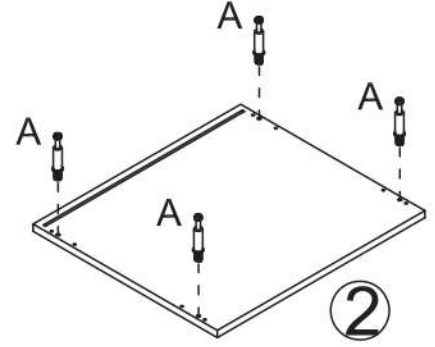
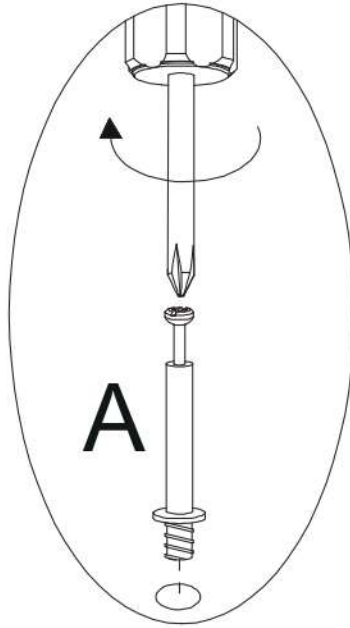
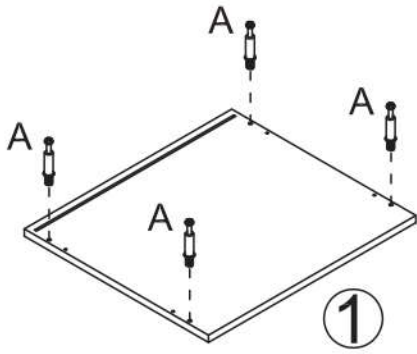
ASSEMBLY INSTRUCTIONS


Please read instructions carefully before assembly.

HARDWARE

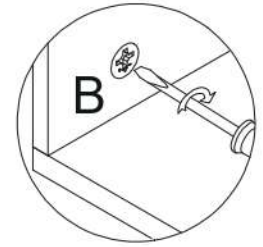
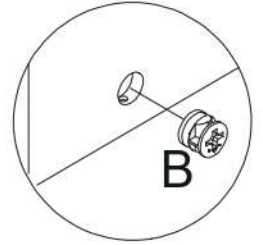
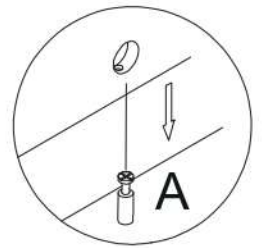
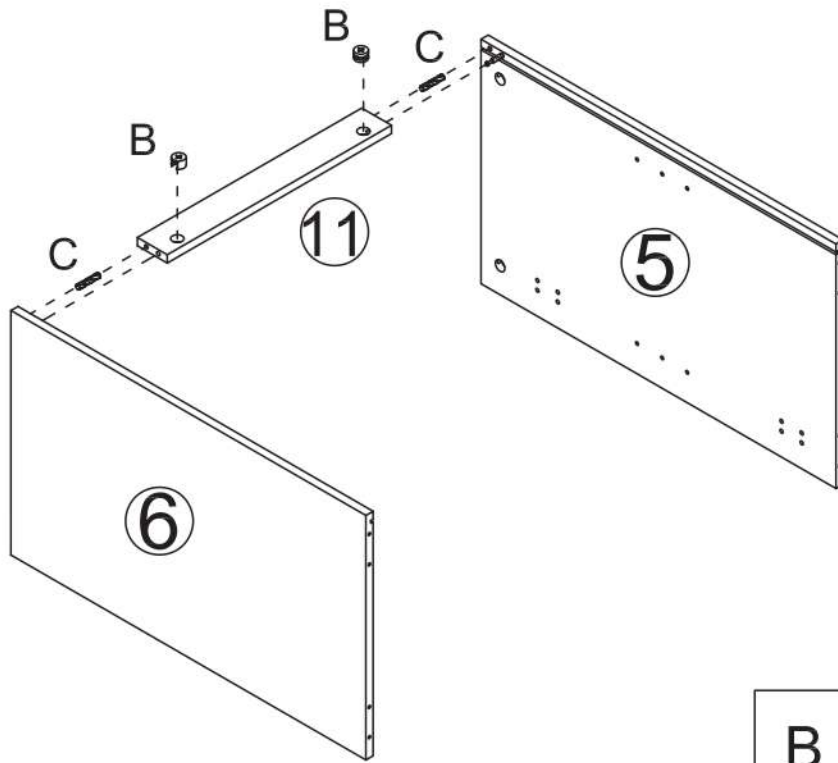
								A x18		6x35mm
B x18	C x18	D x4	E x 4	F x 8	G x8	H x2	I x2	J x1		
										
15x9.5mm	6x30mm	6x50mm	6x30mm	6x22mm	4x40mm		4x16mm			
K x1	L x1	M x1	N x4	O x4	P x24	Q x8	R x8	S x1		
										
4x12mm		4x35mm			4x12mm		3x14mm			



Step 1



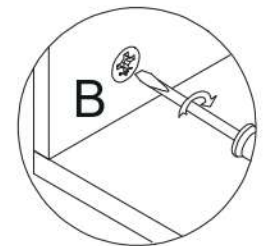
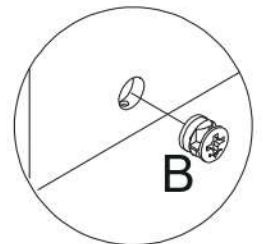
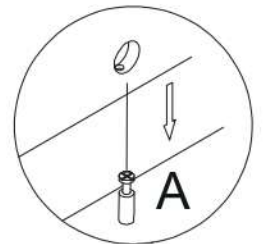
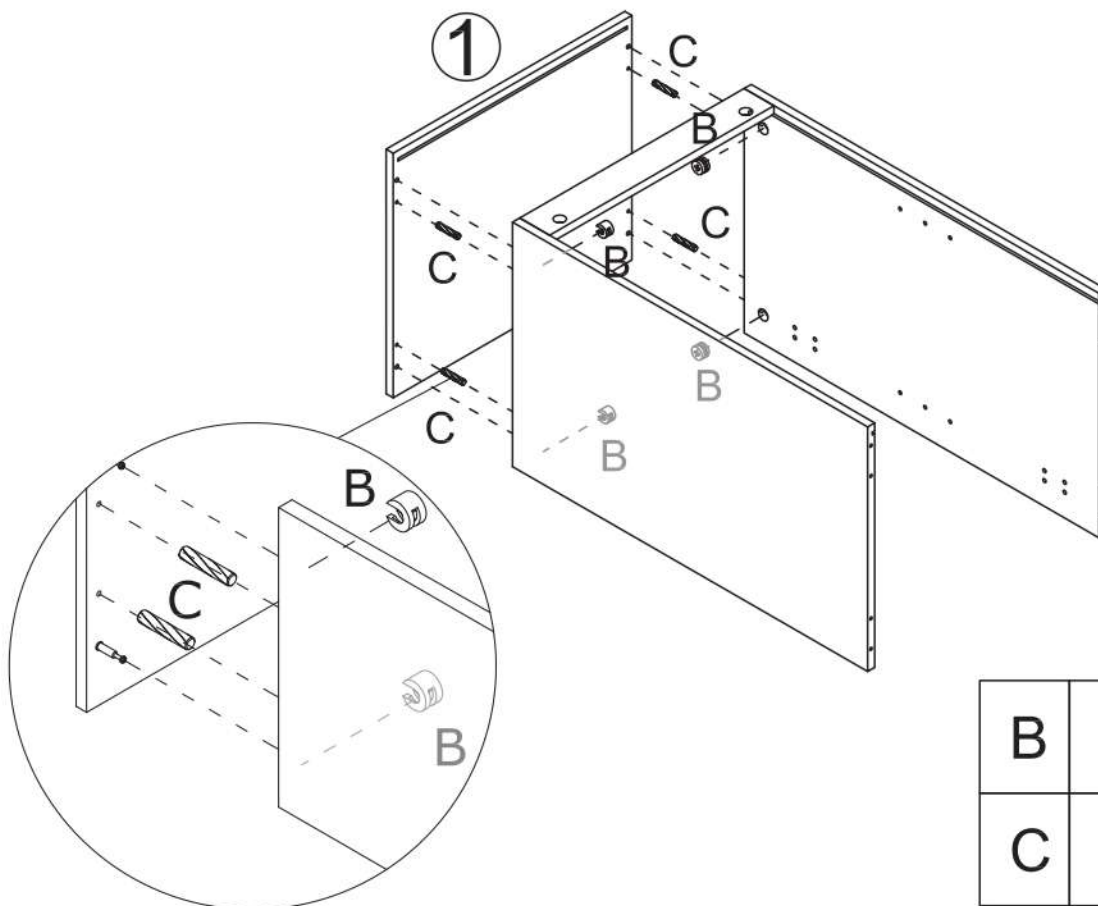
A		18
---	---	----



Step 2



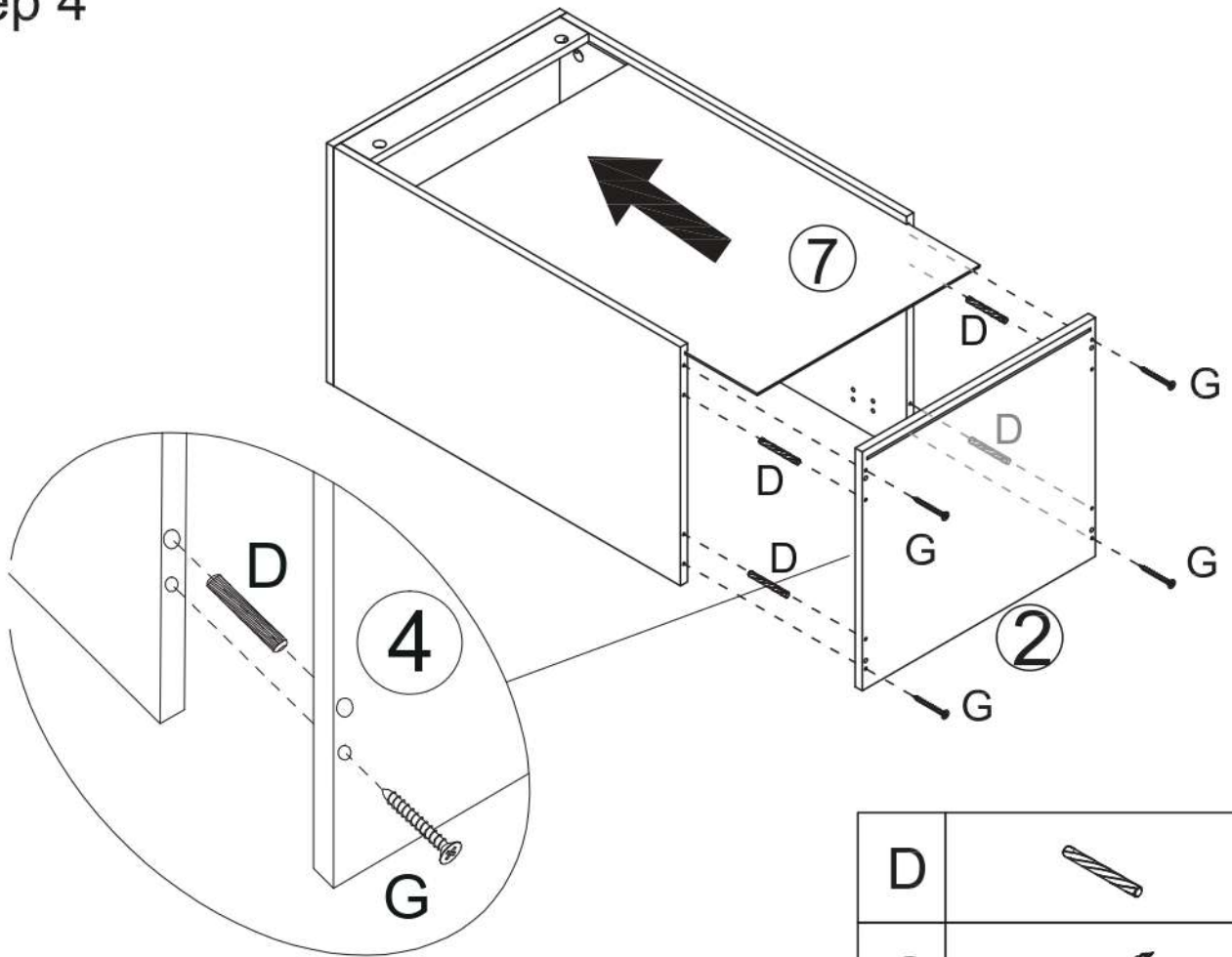
B		2
C		2



Step 3



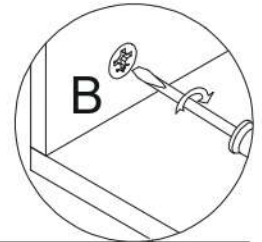
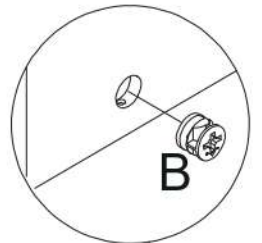
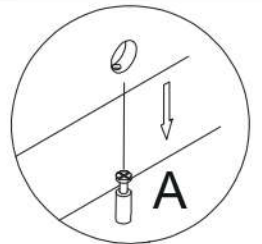
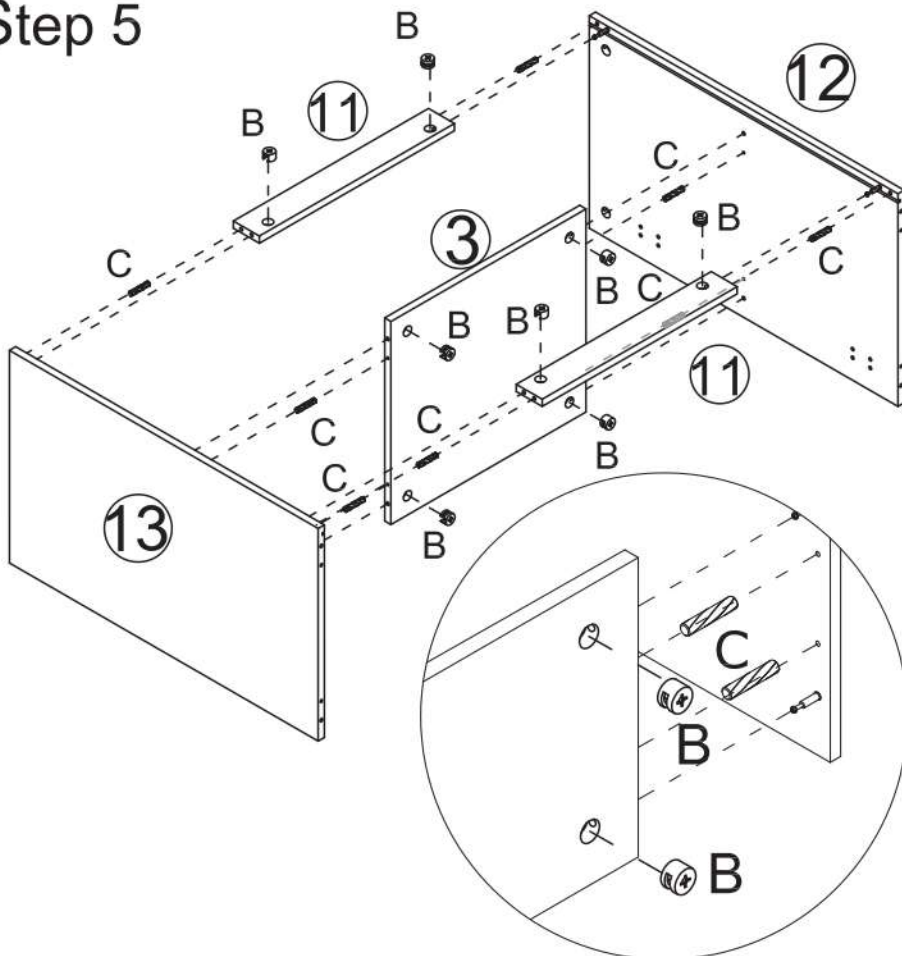
B		4
C		4



Step 4



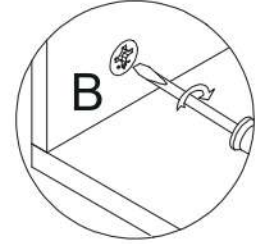
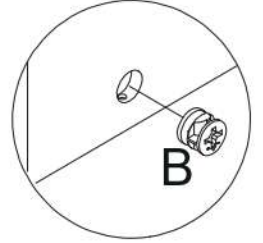
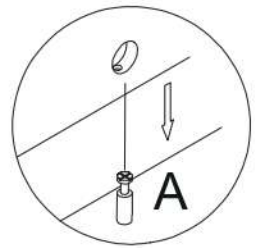
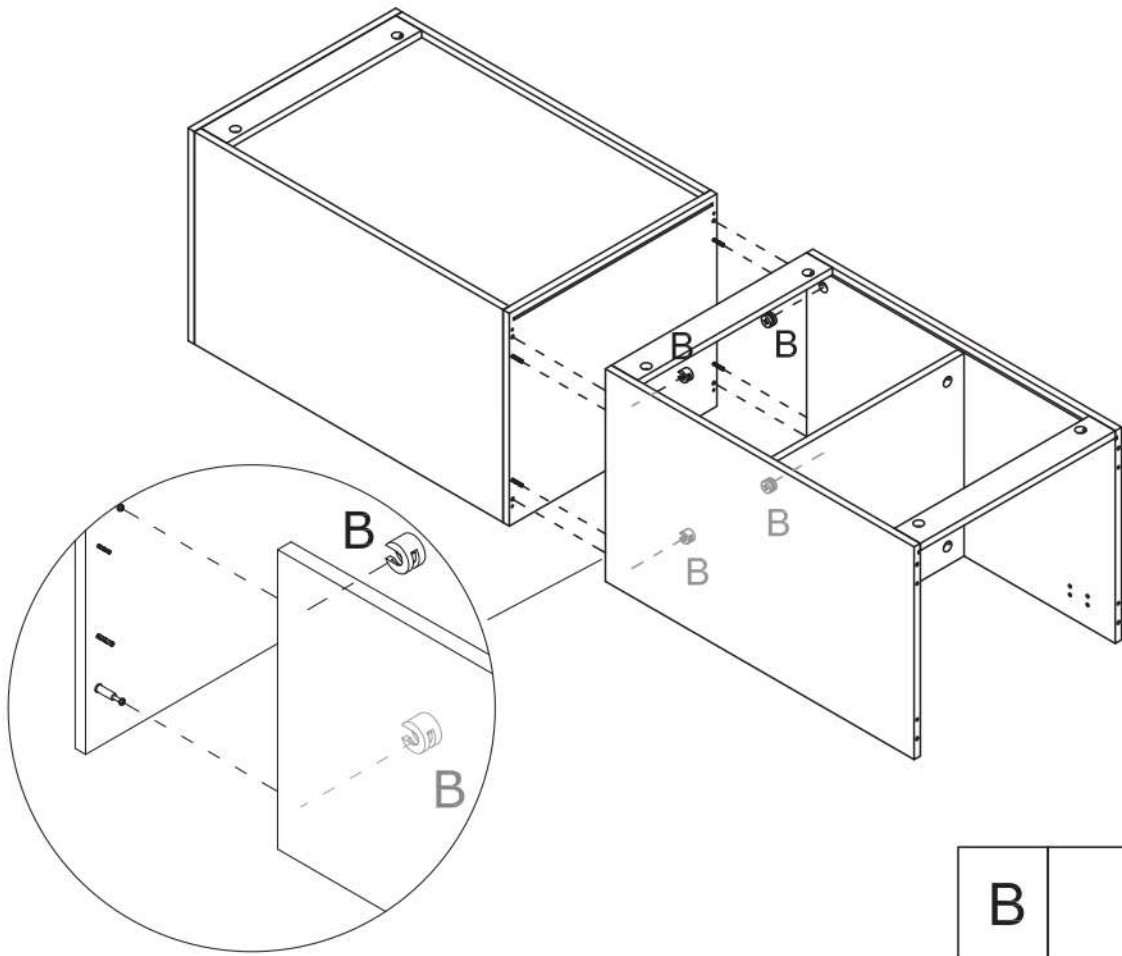
D		4
G		4

Step 5



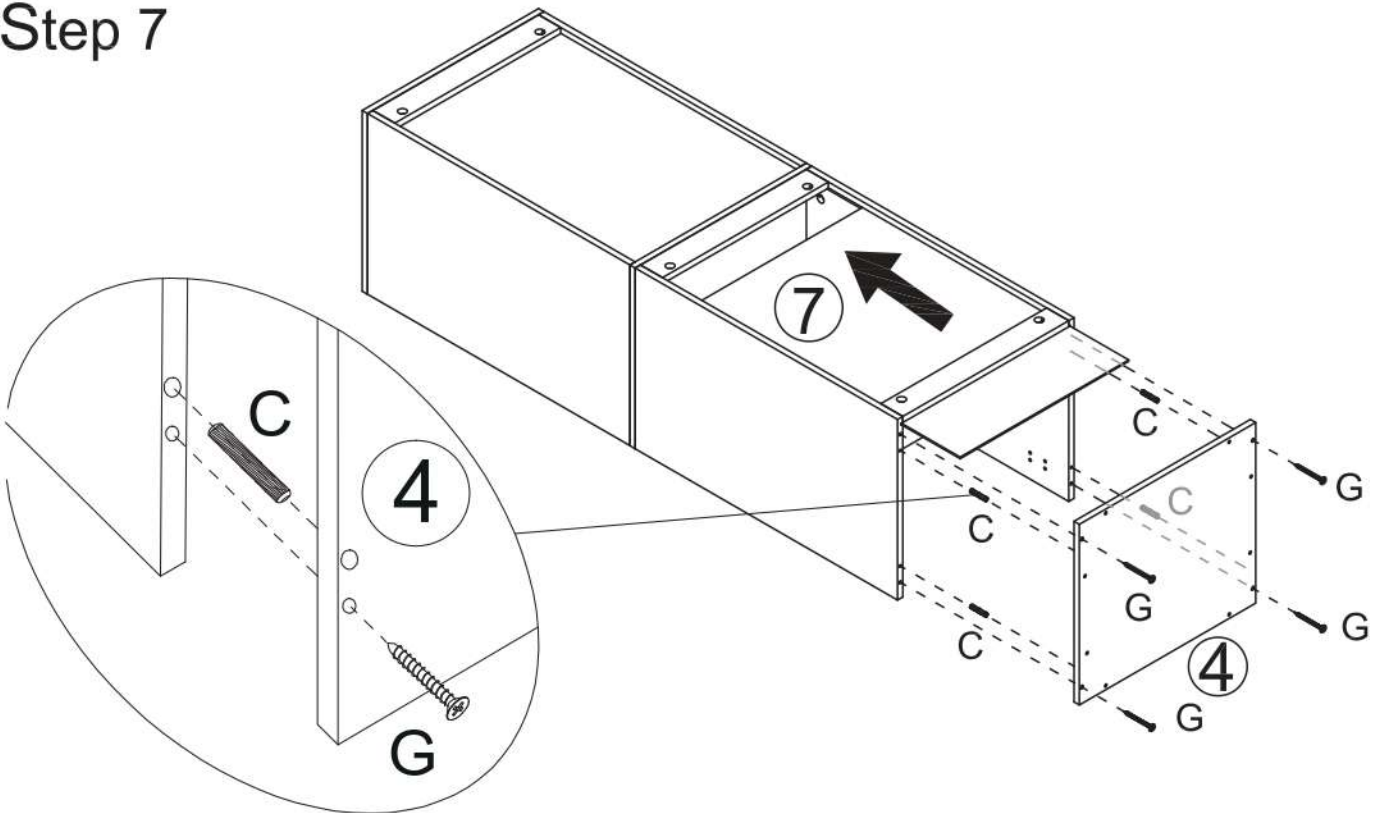
B		8
C		8

Step 6



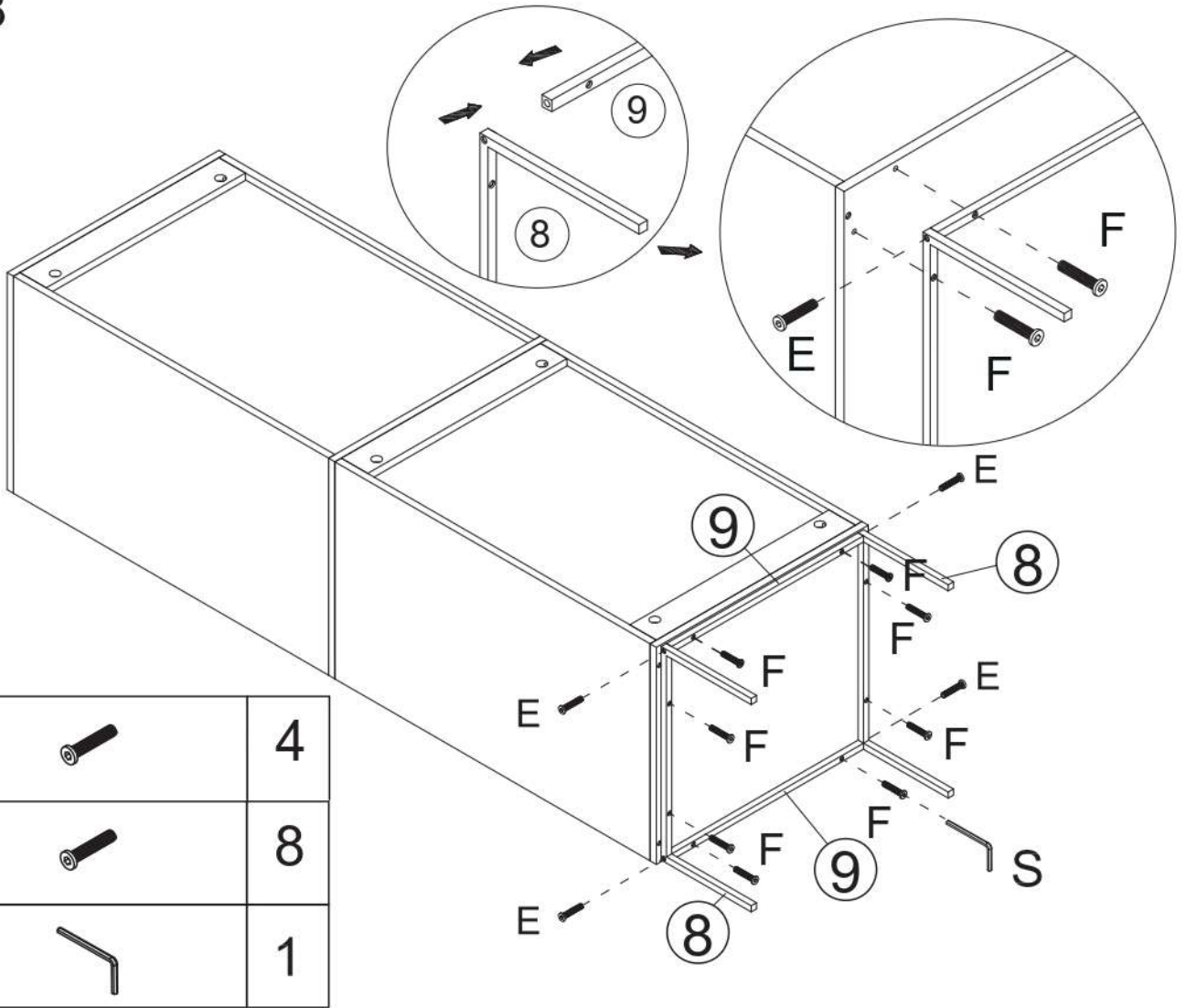
B		4
---	---	---

Step 7

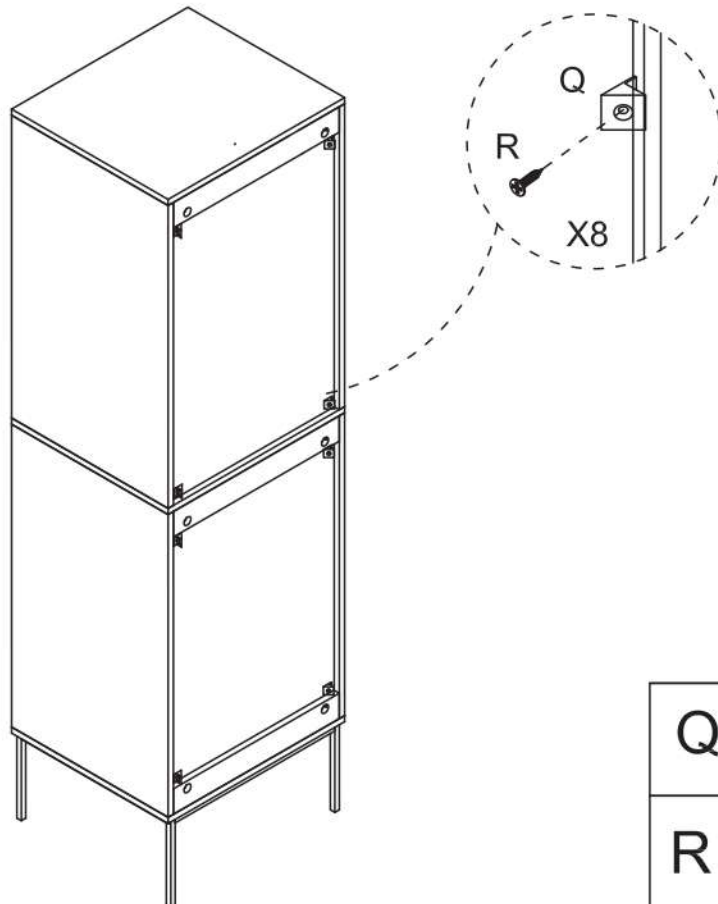




C		4	G		4
---	---	---	---	---	---

Step 8

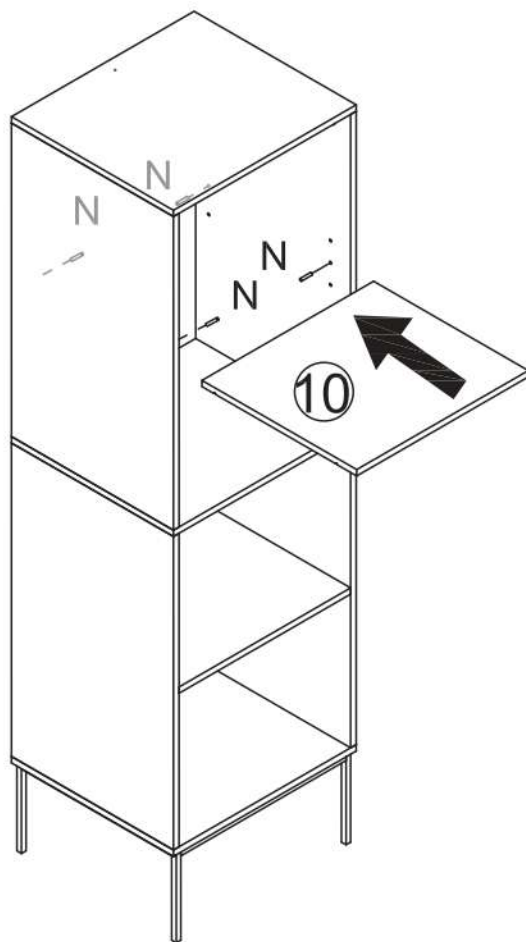



Step 9



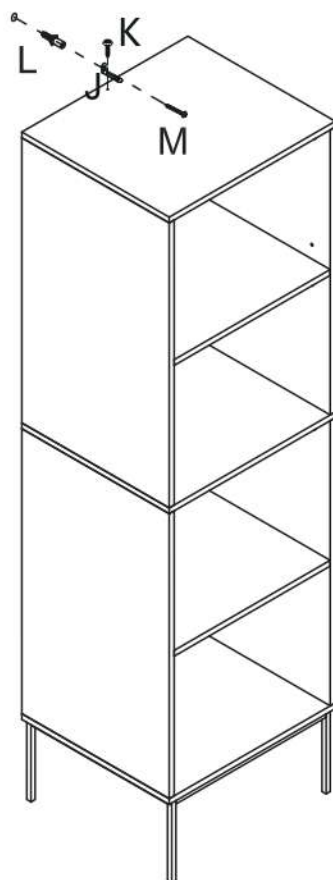
Q		8
R		8

Step 10

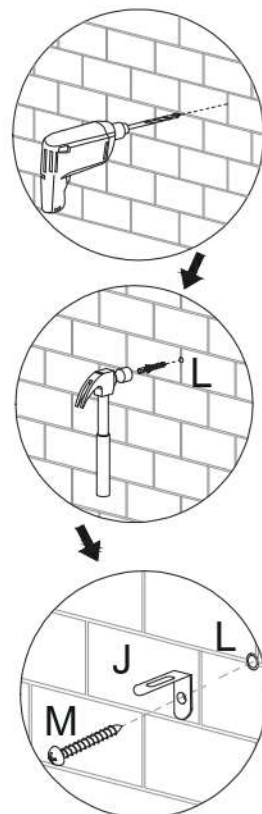






N		4
---	--	---

Step 11



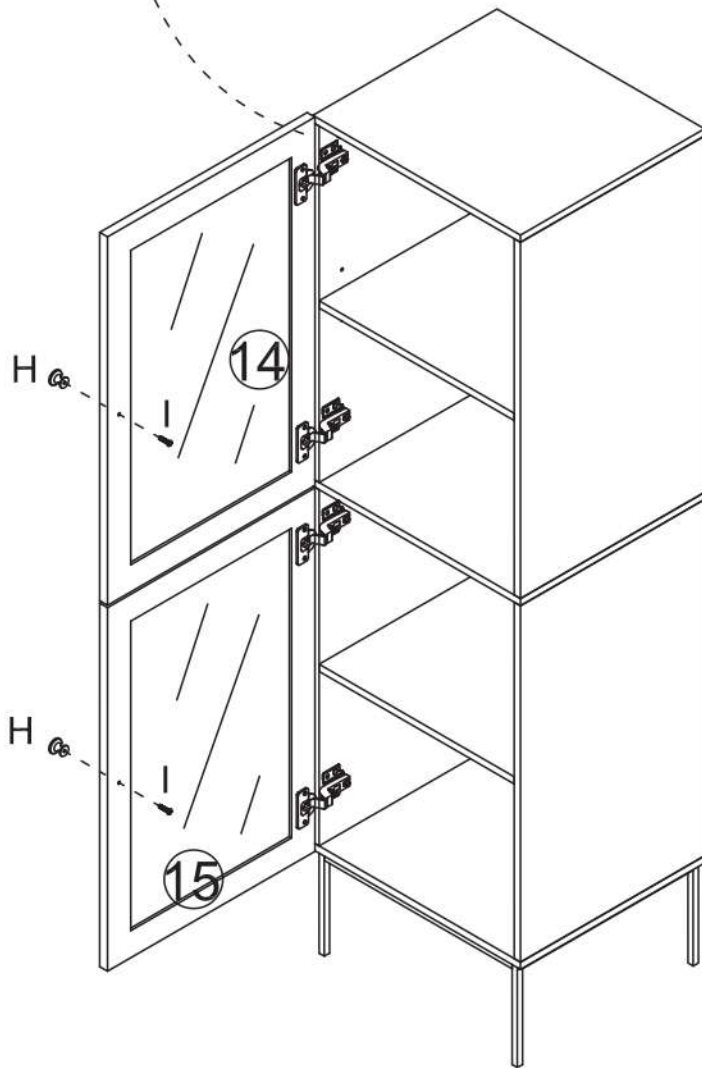
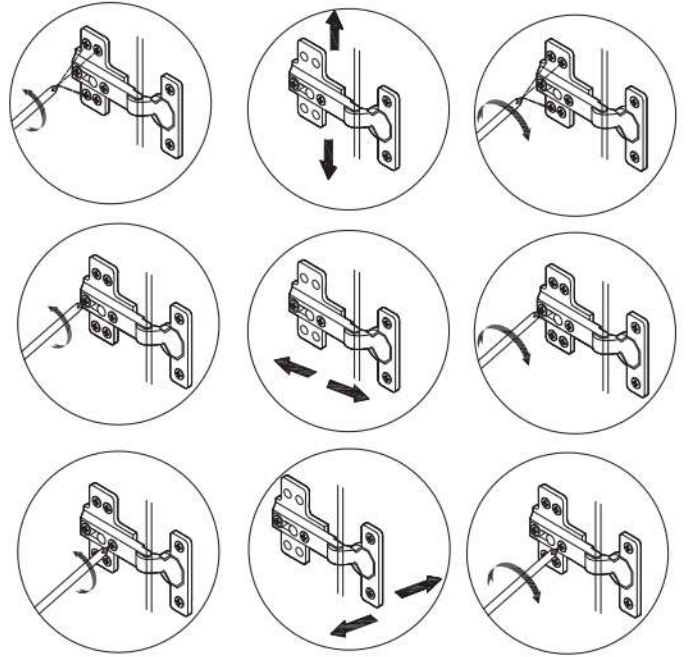
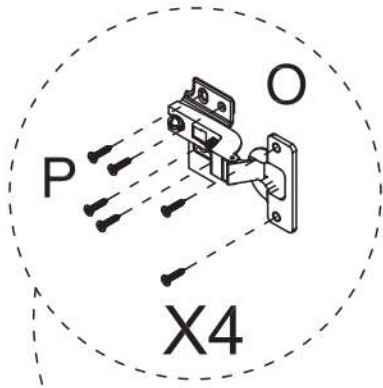
Pre-drill hole in wall







K		1
J		1
L		1
M		1

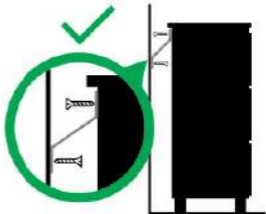
Step 12

Door Directions



H		2
I		2
O		4
P		24

WARNING



Children have died from furniture tipover.

- ALWAYS secure this furniture with an anchor device.
- NEVER allow children to stand, climb or hang on drawers, doors, or shelves.